

Revised by Tomas 28/07/2005

Revised by Liudmila 8/07/2005

Clearance Publish

Clearance=50mm



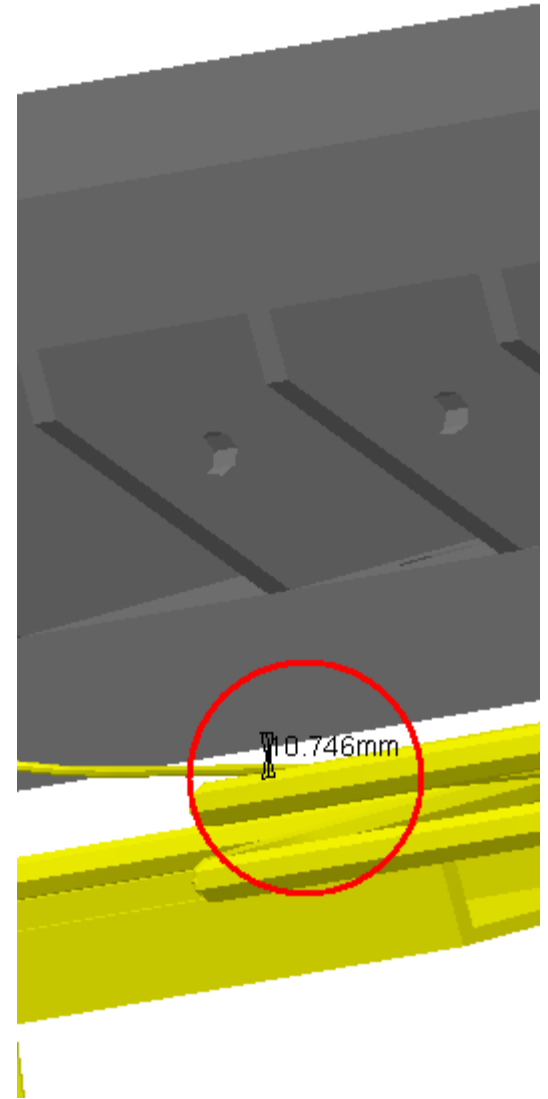
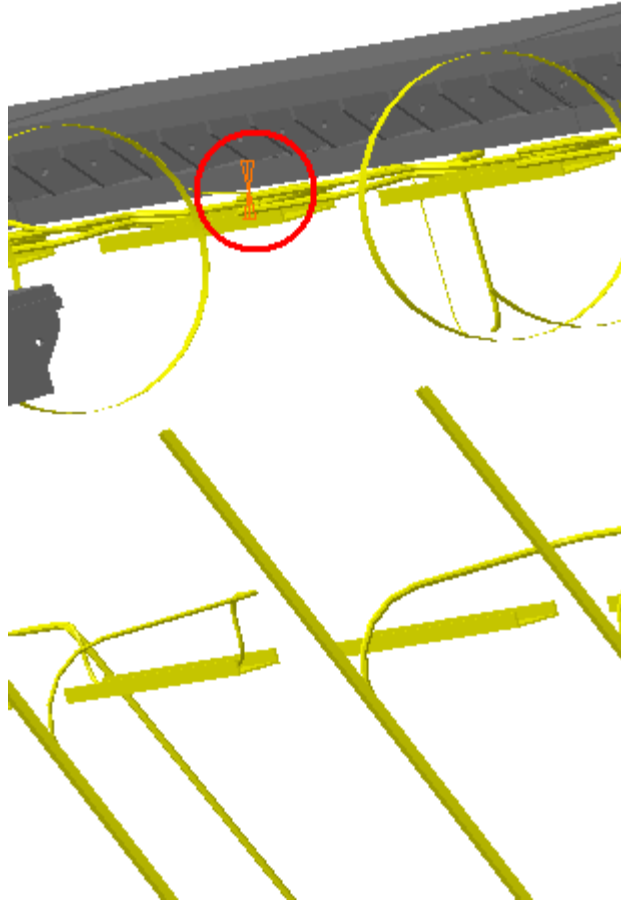
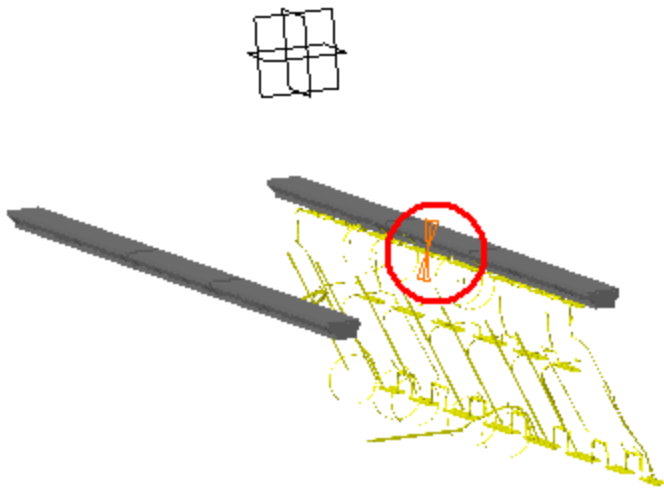
Clearance Computation Specification

Products Selected

AT112396MQ Heater Cable Distribution in foot	ATCVHB_0006 ASSEMBLY OF RAILS - DETAILED MODEL FOR STANDARDS	10.75	Not inspected
	ATCNSR_0007 TB CABLE SERVICE - CABLE TRAYS	0.76	Not inspected
	ATCNTB_0005 TB WARM STRUCTURE - RING OF THE VOUSOIRS, STRUTS	0.64	Not inspected
	AT602164MQ MCB Muon Barrel Chambers Detailed Sec 12	25.17	Not inspected

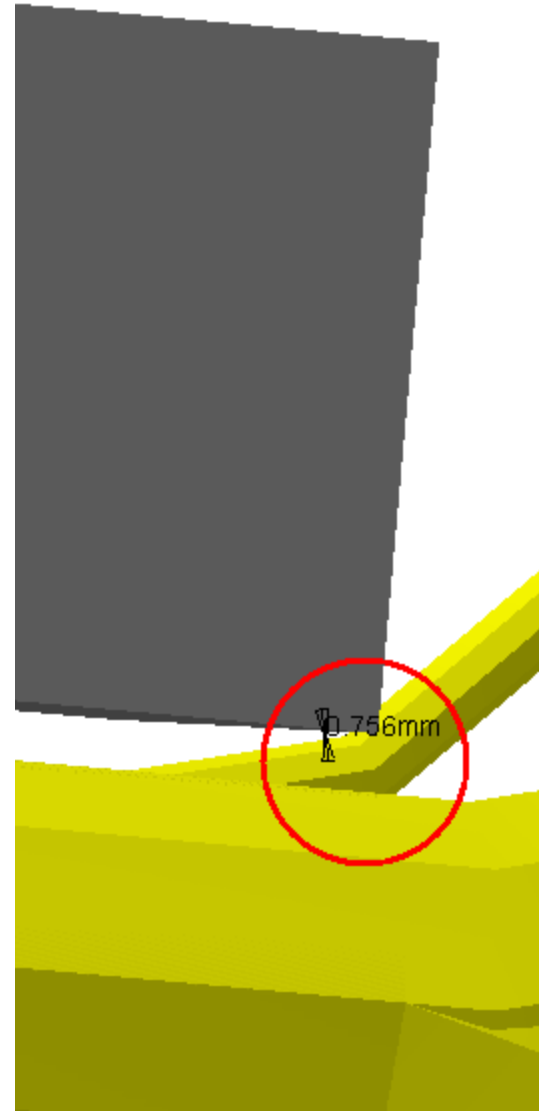
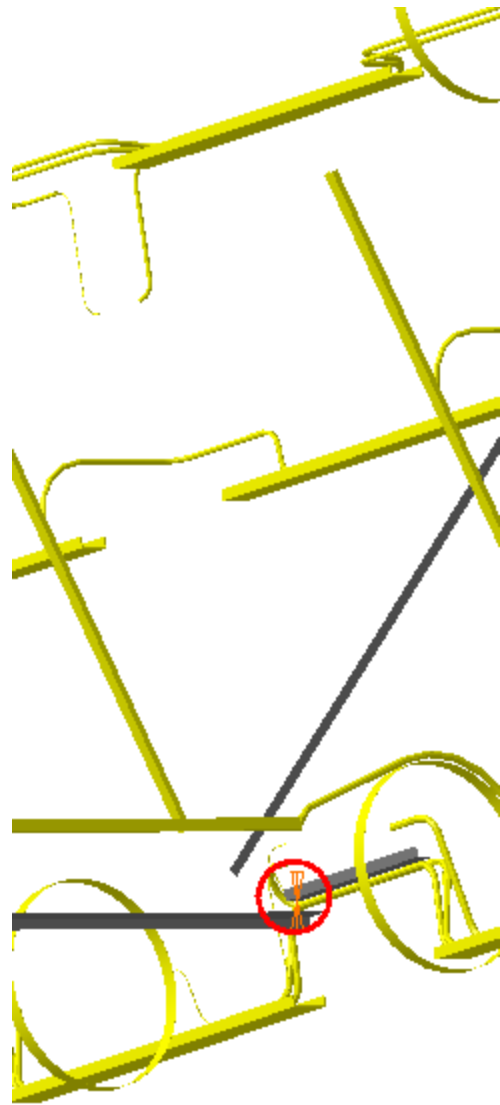
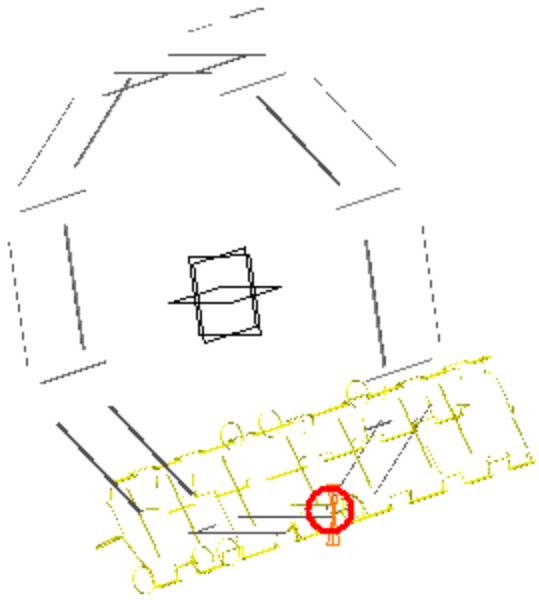
Computation Result:

AT112396MQ Heater Cable Distribution in foot	ATCVHB_0006 ASSEMBLY OF RAILS - DETAILED MODEL FOR STANDARDS	Vector coordinate $\Delta X \approx -2.55\text{mm}$ $\Delta Y \approx 10.44\text{mm}$ $\Delta Z \approx -0.13\text{mm}$	10.75mm	Not inspected
---	--	--	---------	---------------



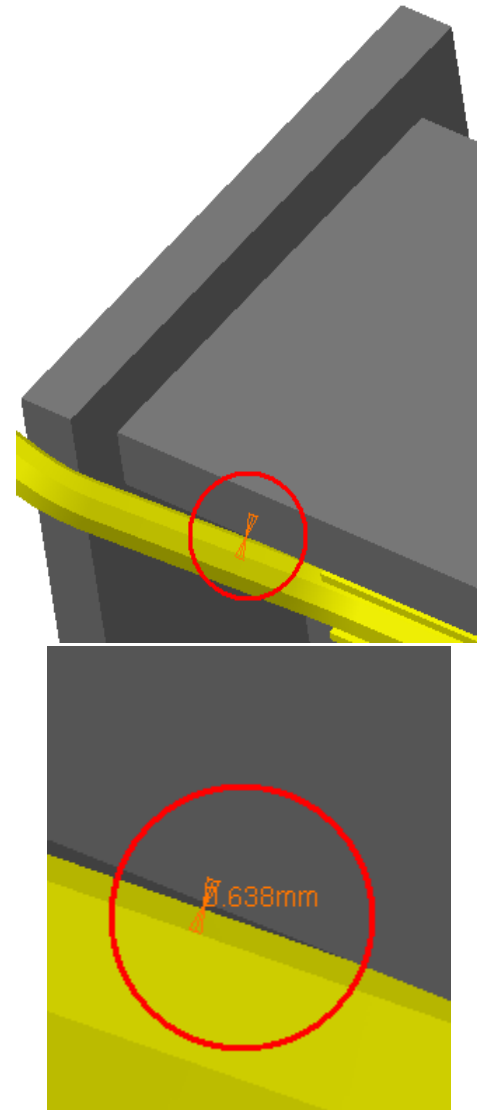
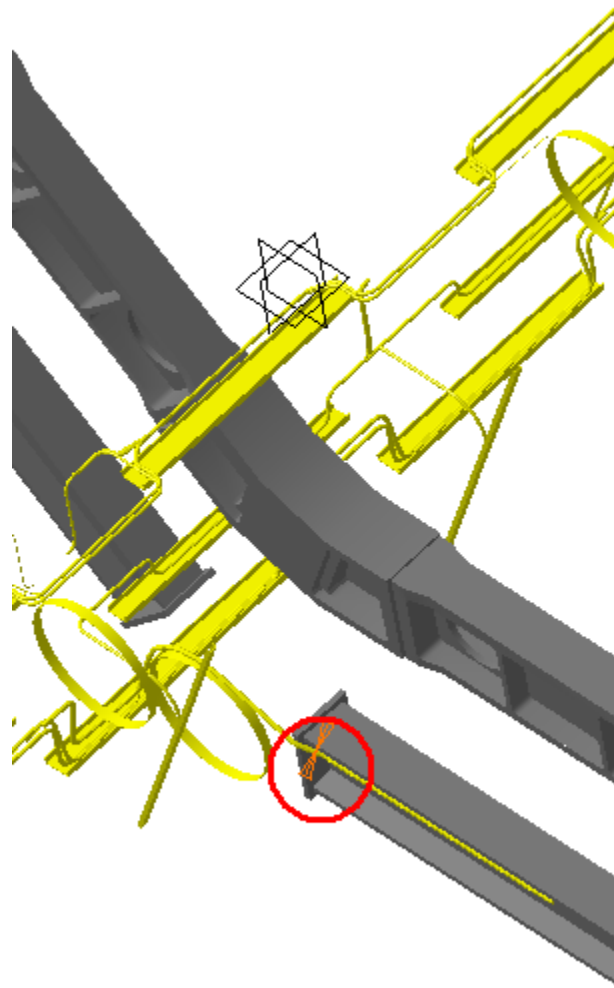
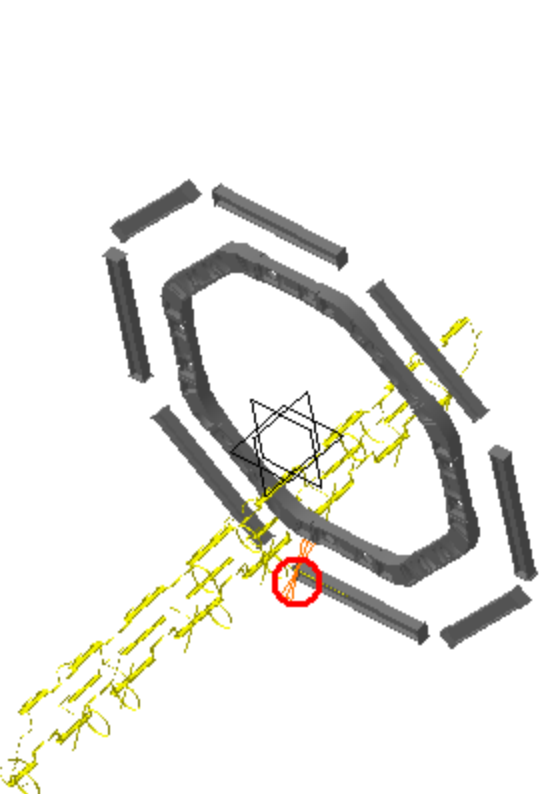
Side A
Sector 12

AT112396MQ Heater Cable Distribution in foot	ATCNSR_0007 TB CABLE SERVICE - CABLE TRAYS	Vector coordinate $\Delta X \approx -0\text{mm}$ $\Delta Y \approx 0.74\text{mm}$ $\Delta Z \approx 0.17\text{mm}$	0.76mm	Not inspected
---	---	---	--------	---------------



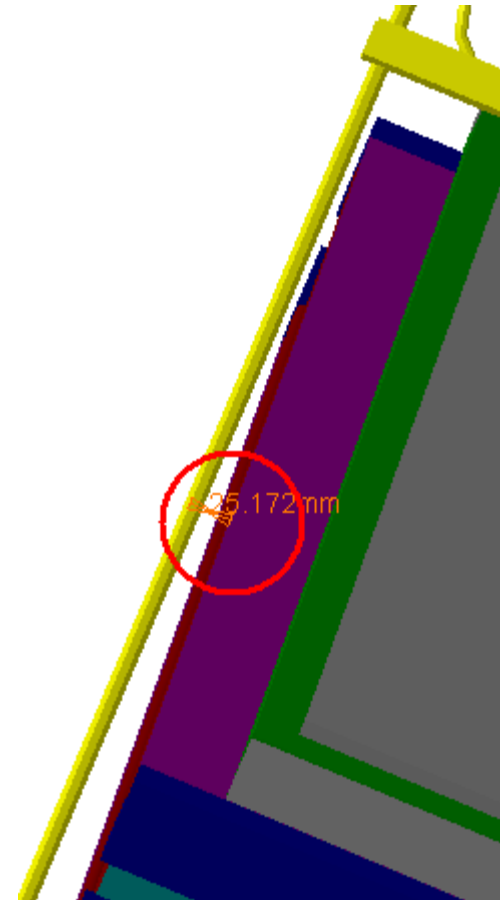
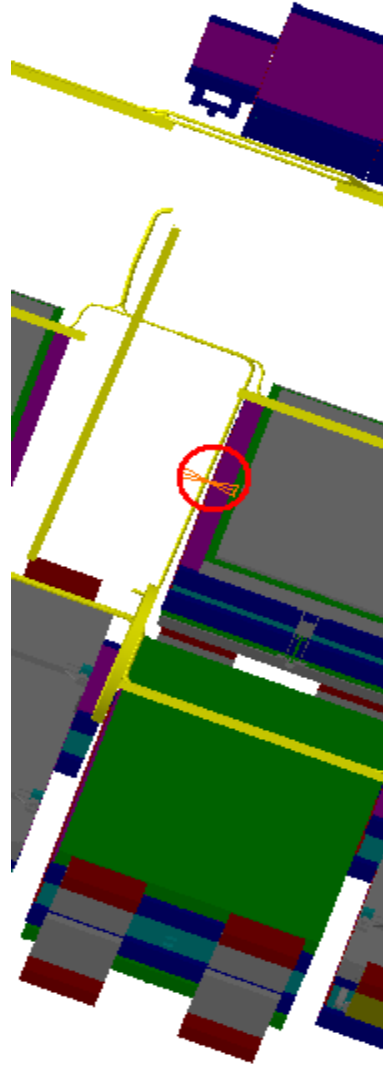
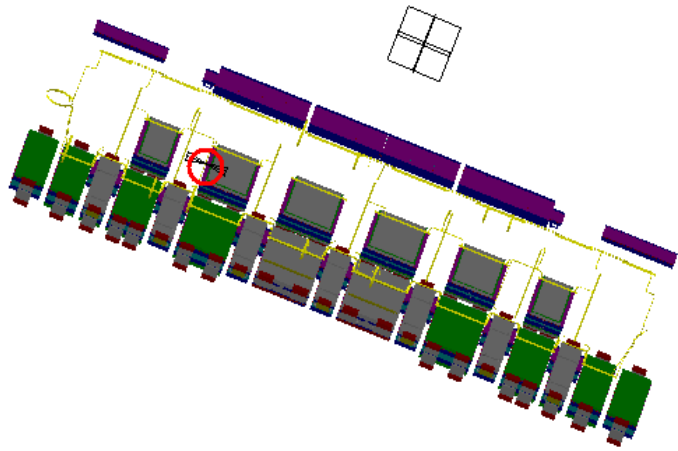
Side A
Sector 12

AT112396MQ Heater Cable Distribution in foot	ATCNTB_0005 TB WARM STRUCTURE - RING OF THE VOUSSOIRS, STRUTS	Vector coordinate $\Delta X \approx 0\text{mm}$ $\Delta Y \approx 0.45\text{mm}$ $\Delta Z \approx 0.45\text{mm}$	0.64mm	Not inspected
---	---	--	--------	---------------



Side C
Sector 12

AT112396MQ Heater Cable Distribution in foot	AT602164MQ MCB Muon Barrel Chambers Detailed Sec 12	Vector coordinate $\Delta X \approx 0.06\text{mm}$ $\Delta Y \approx 0.45\text{mm}$ $\Delta Z \approx 25.17\text{mm}$	25.17mm	Not inspected
---	--	--	---------	---------------



Side A
Sector 12