

Clash Publish



Clash Computation Specification			
Products Selected			
AT392202MQ-Assm Voussuar Platforms Assembly, Sect 4,6	AT812126MQ TBW Structure	-44.9	Not Relevant
	AT812127MQ TBW Structure	-44.9	Not Relevant
	AT812128MQ TBW Structure	-44.9	Not Relevant
	AT812126MQ--M TBW Structure	-44.9	Not Relevant
	AT812127MQ--M TBW Structure	-44.9	Not Relevant
	AT812128MQ--M TBW Structure	-44.9	Not Relevant
	ATCNSB_0002 BARREL CALORIMETER CRYOGENIC LINES - SIMPLIFIED 3D OBJECTS	-31.39	Relevant: SOLVED
	ATCNTB_0001 BT4 TB STANDARD COIL – SECTOR 4	-44.92	Not inspected
	ATCNTB_0001 BT6 TB STANDARD COIL – SECTOR 6	-44.92	Not inspected

Revised by Peter Kulka 26/10/2005

Lasha: Relevant conflict has been solved

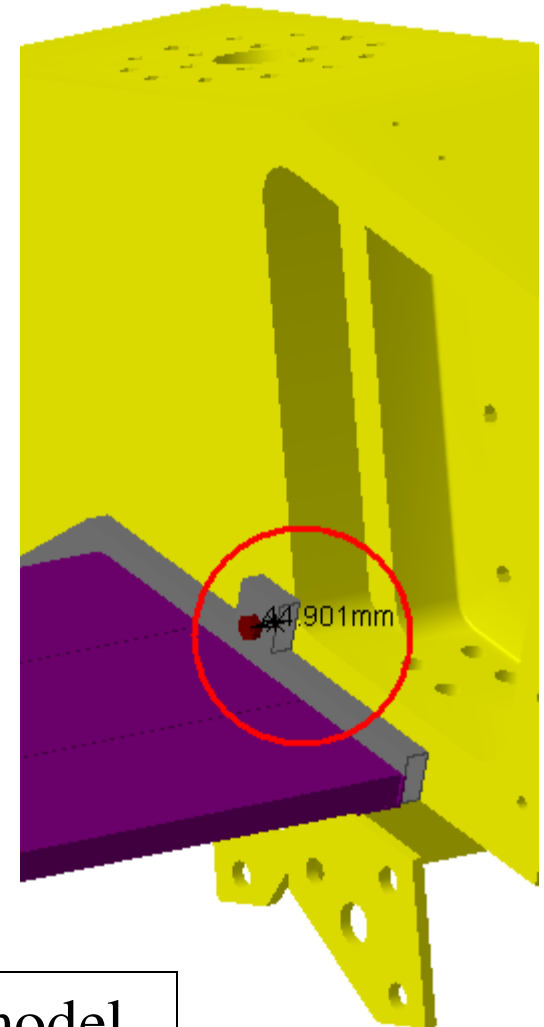
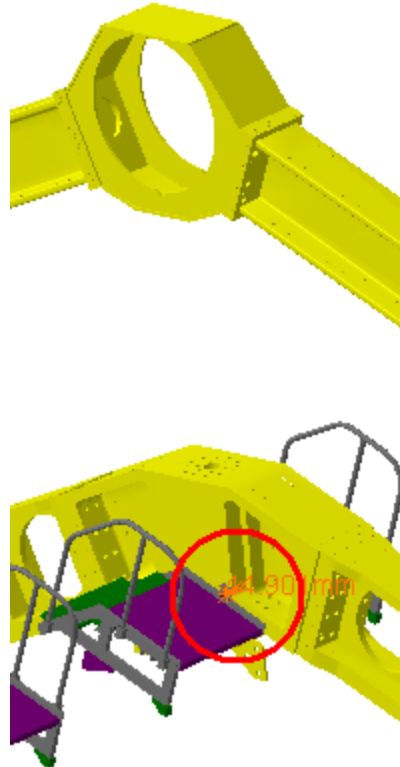
AT392202MQ-Assm Voussuar
Platforms Assembly, Sect 4,6

AT812126MQ TBW Structure

Clash

- 44.9mm

Not Relevant



Tatiana: Holes are exist in real life not in model

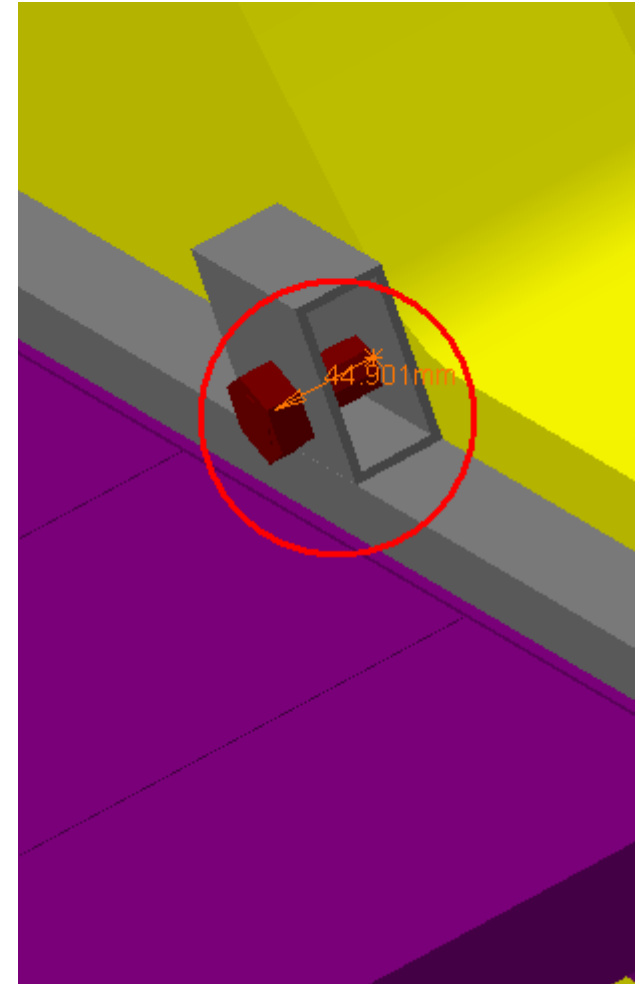
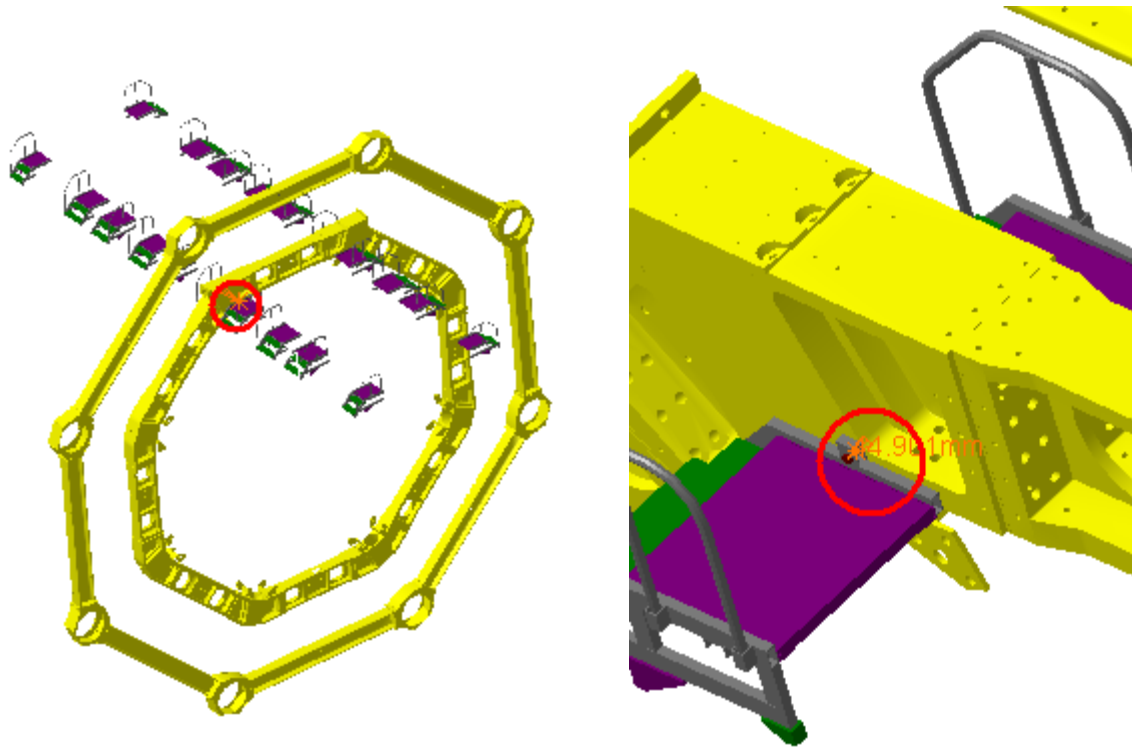
AT392202MQ-Assm Voussuar
Platforms Assembly, Sect 4,6

AT812126MQ--M TBW Structure

Clash

- 44.9mm

Not Relevant



Tatiana: Holes are exist in real life not in model

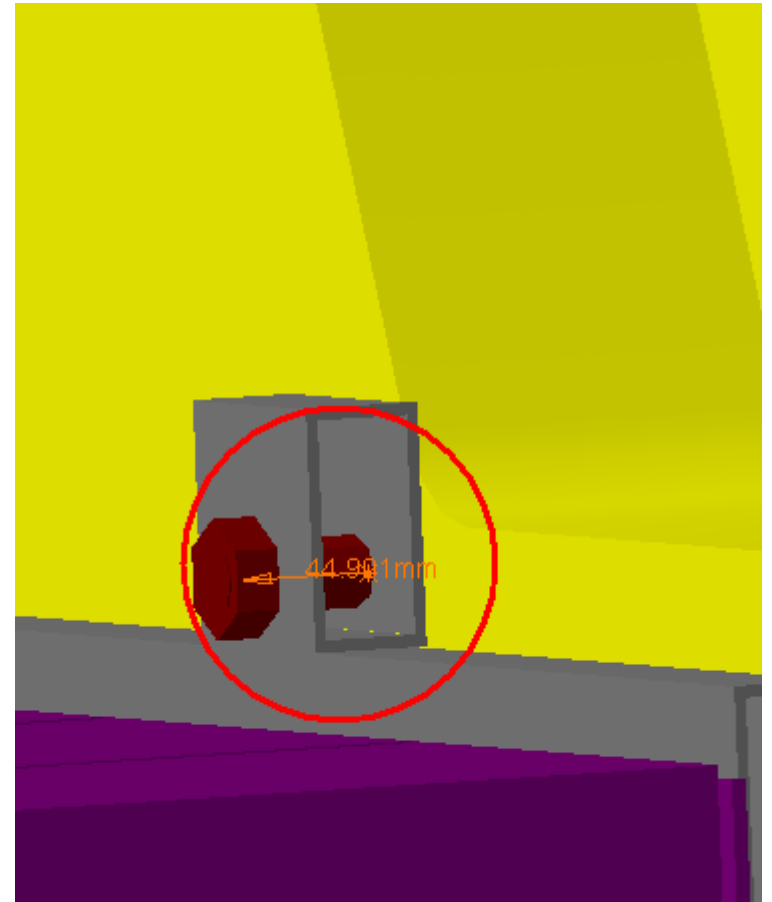
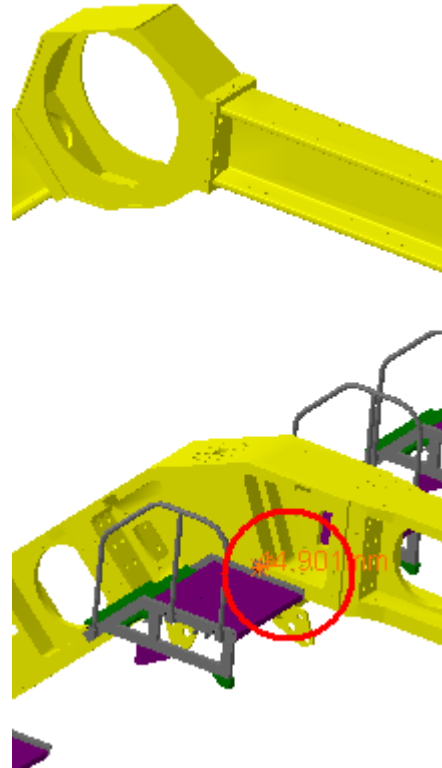
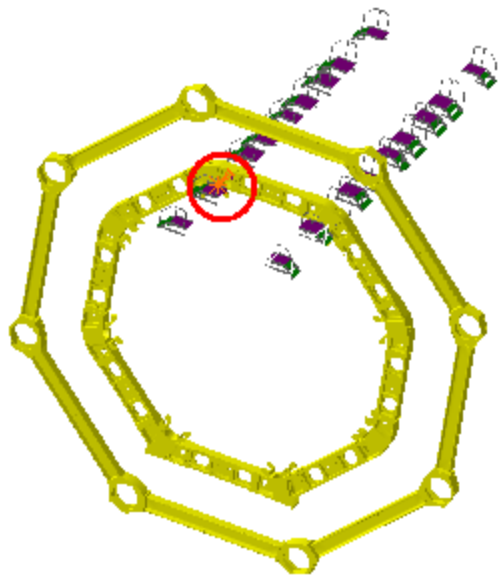
AT392202MQ-Assm Voussuar
Platforms Assembly, Sect 4,6

AT8121267MQ TBW Structure

Clash

- 44.9mm

Not Relevant



Tatiana: Holes are exist in real life not in model

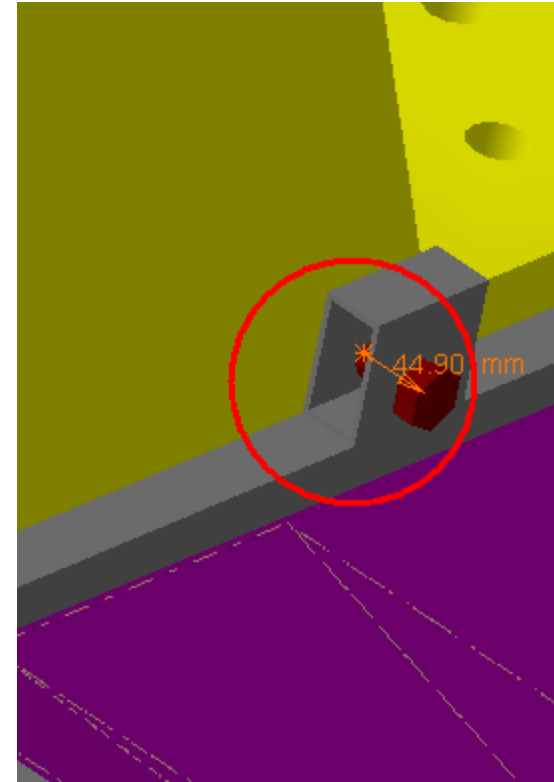
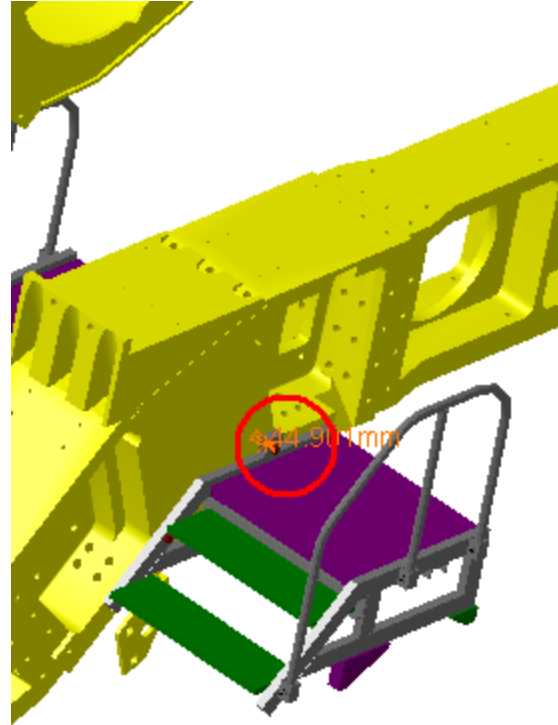
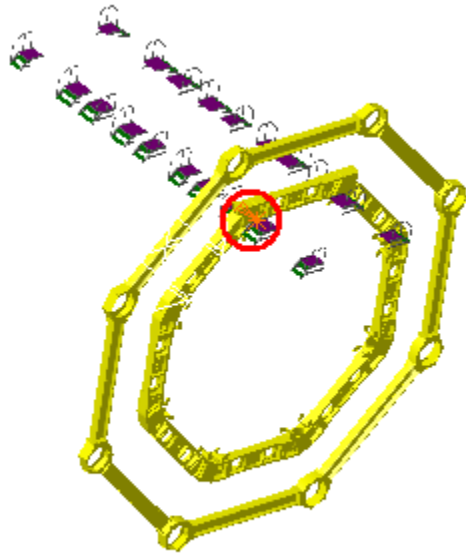
AT392202MQ-Assm Voussuar
Platforms Assembly, Sect 4,6

AT812127MQ--M TBW Structure

Clash

- 44.9mm

Not Relevant



Tatiana: Holes are exist in real life not in model

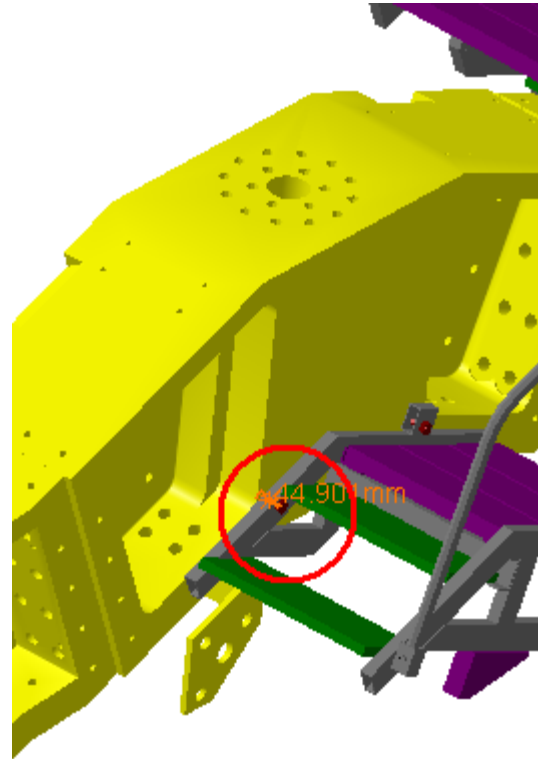
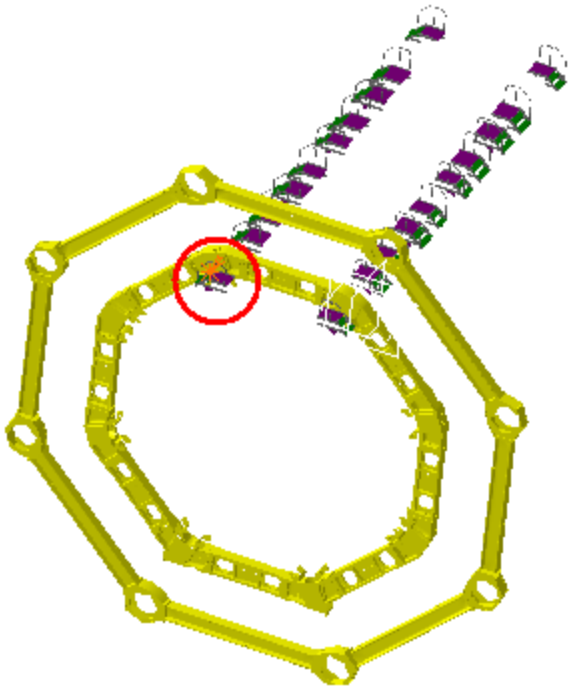
AT392202MQ-Assm Voussuar
Platforms Assembly, Sect 4,6

AT812128MQ TBW Structure

Clash

- 44.9mm

Not Relevant



Side A
Sector 6

Tatiana: Holes are exist in real life not in model

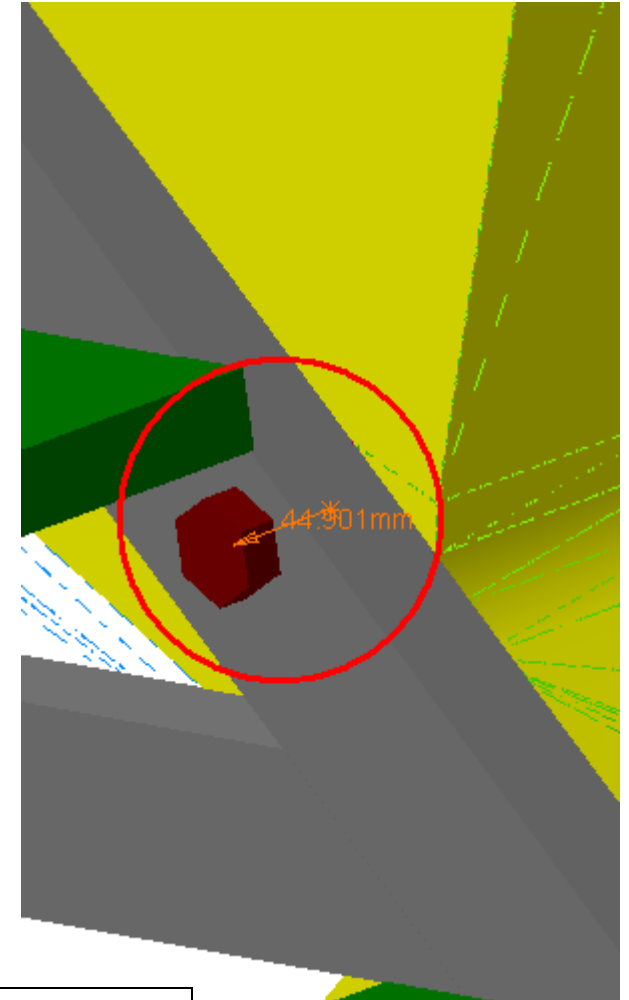
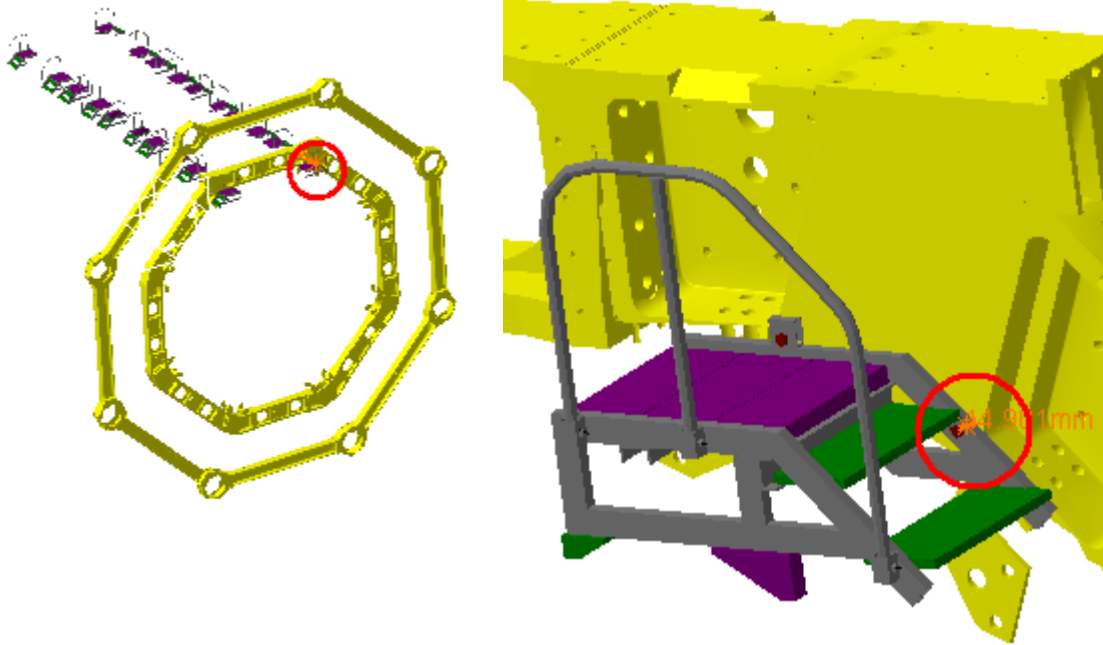
AT392202MQ-Assm Voussuar
Platforms Assembly, Sect 4,6

AT812128MQ--M TBW Structure

Clash

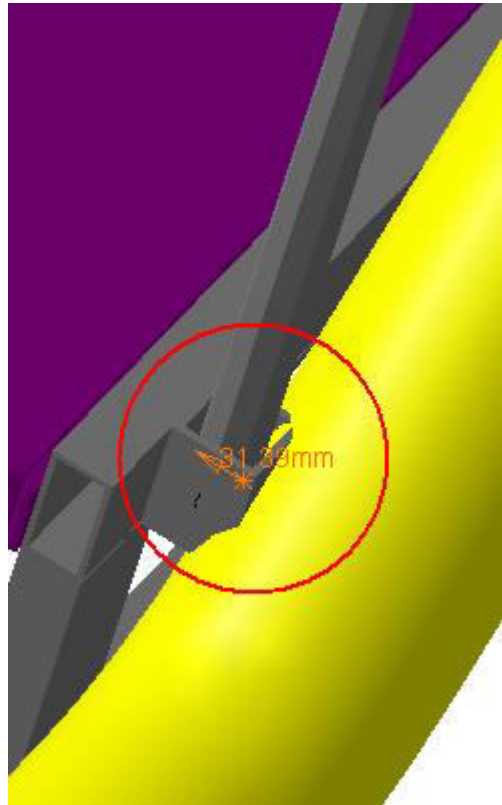
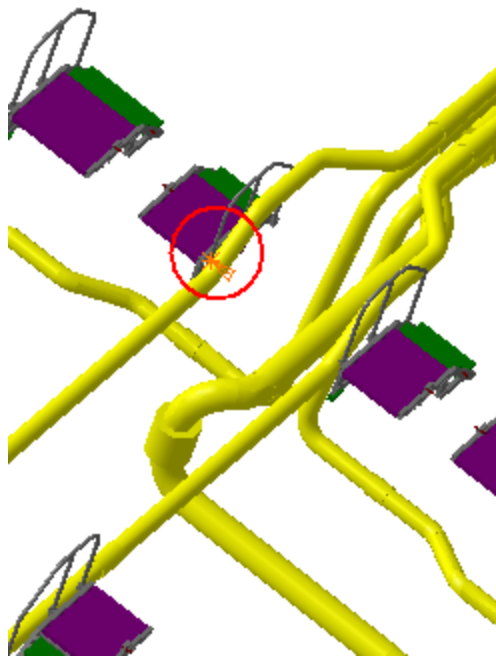
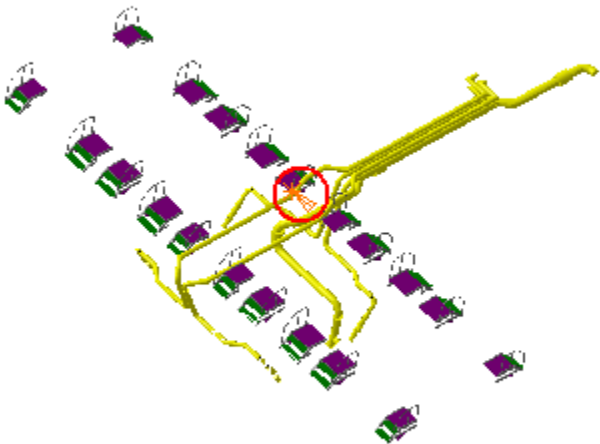
- 44.9mm

Not Relevant



Tatiana: Holes are exist in real life not in model

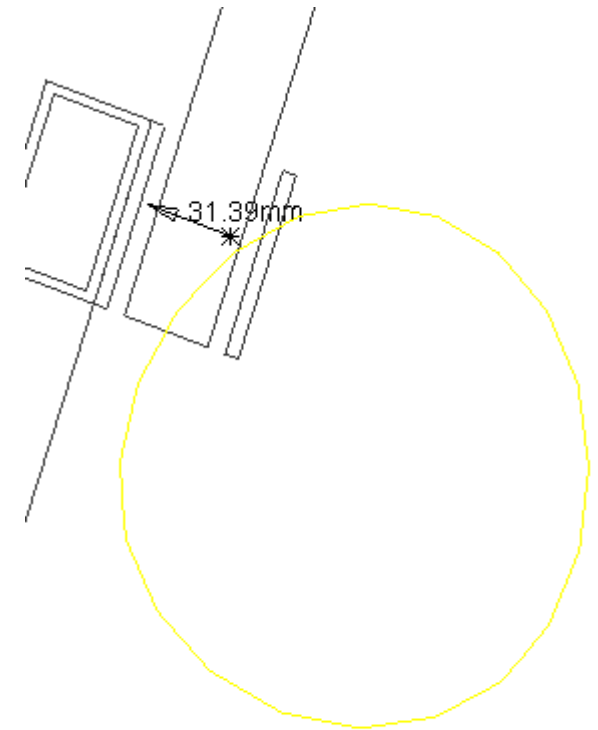
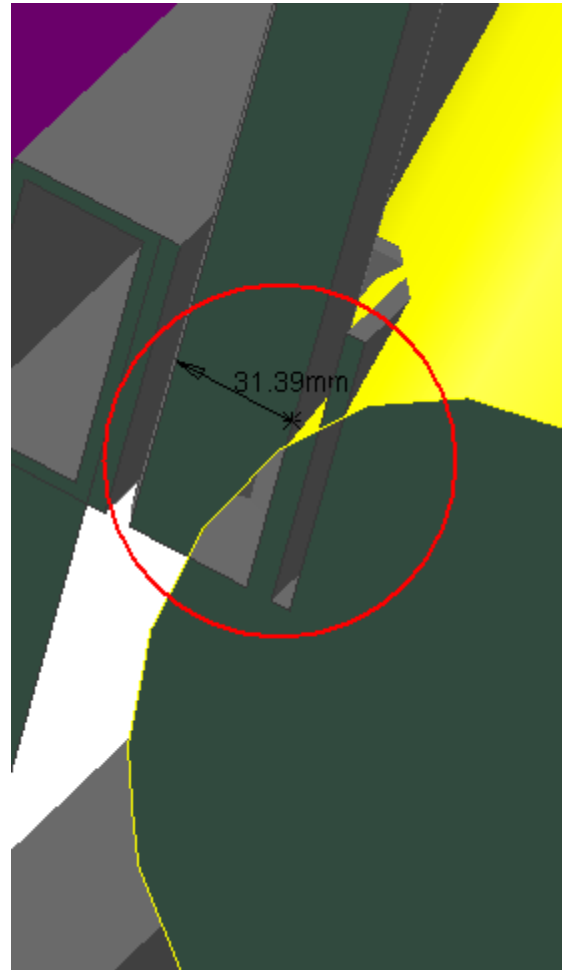
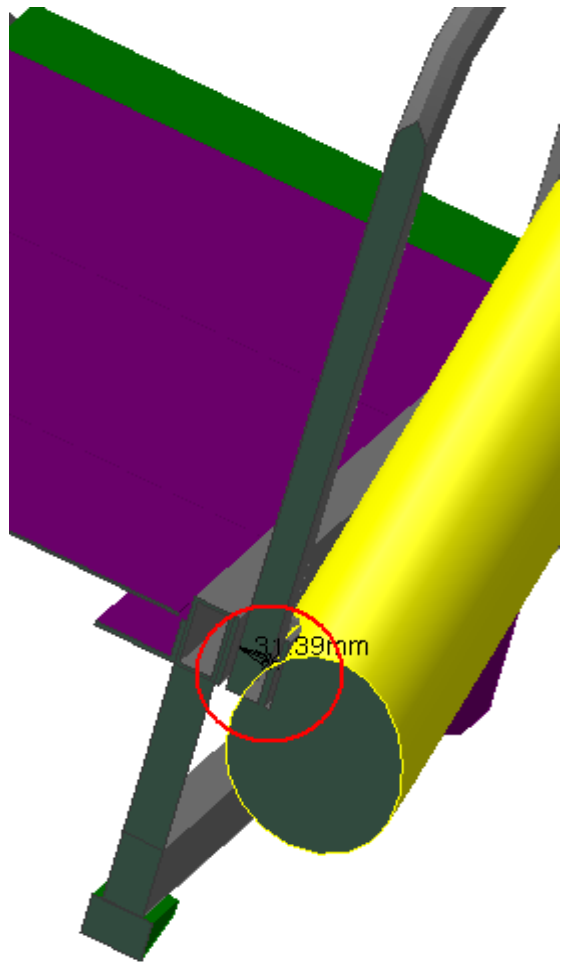
AT392202MQ-Assm Voussuar Platforms Assembly, Sect 4,6	ATCNSB_0002 BARREL CALORIMETER CRYOGENIC LINES - SIMPLIFIED 3D OBJECTS	Clash	-31.39mm	Relevant
--	--	-------	----------	----------



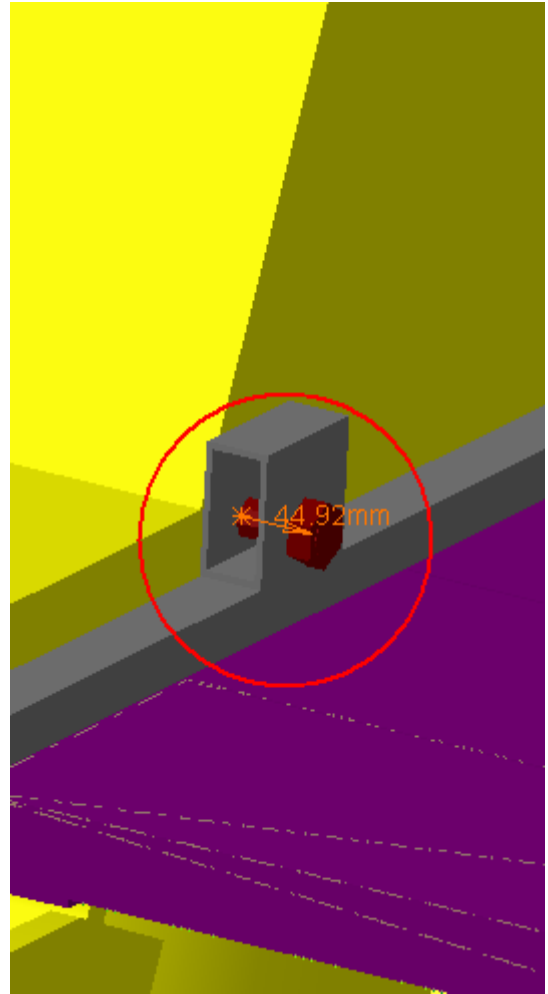
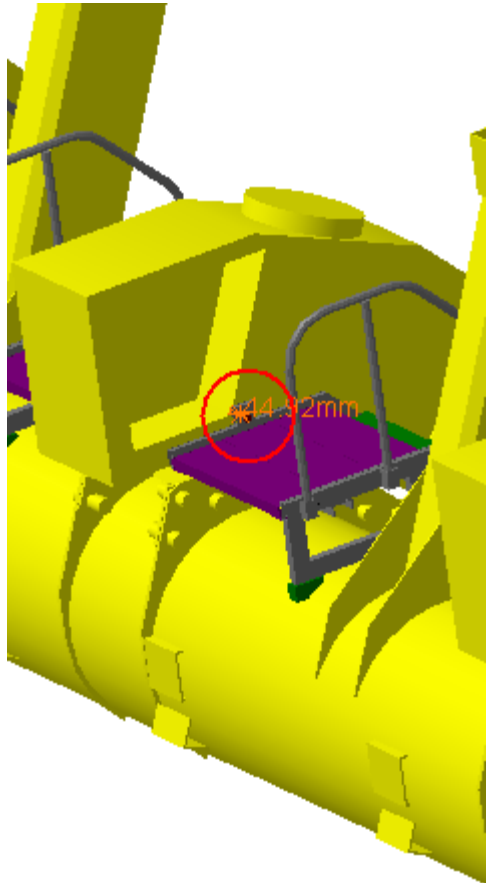
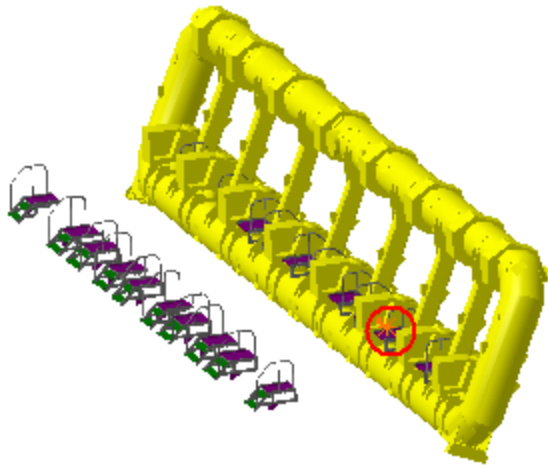
Peter: Have to be modified with Miikka

Lasha: Has been modified, now clash become clearance with value 18.5mm

Clash View 1:



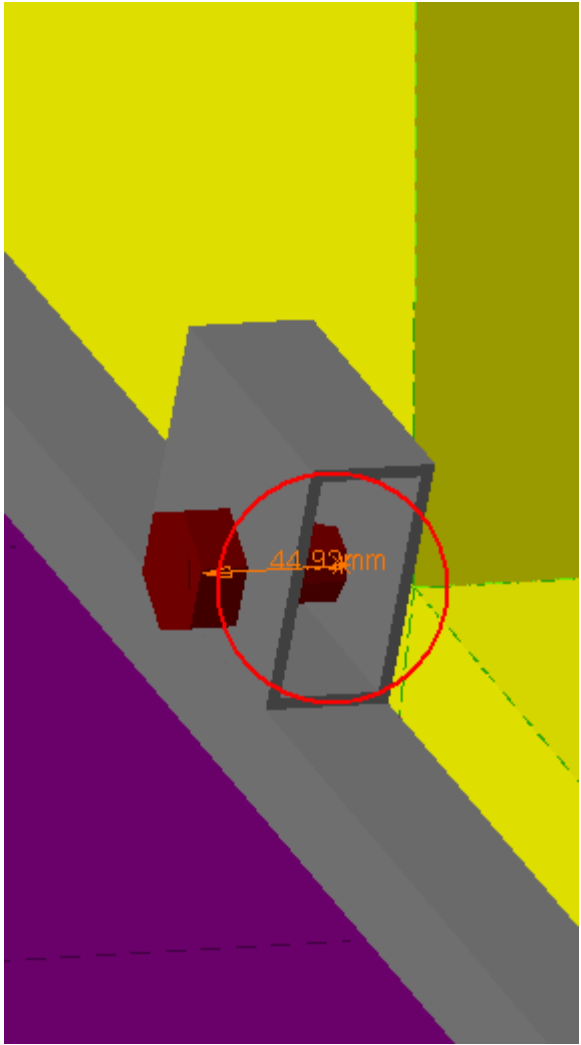
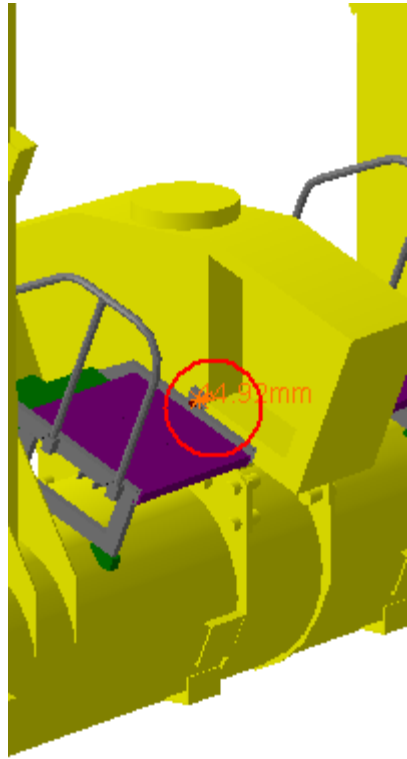
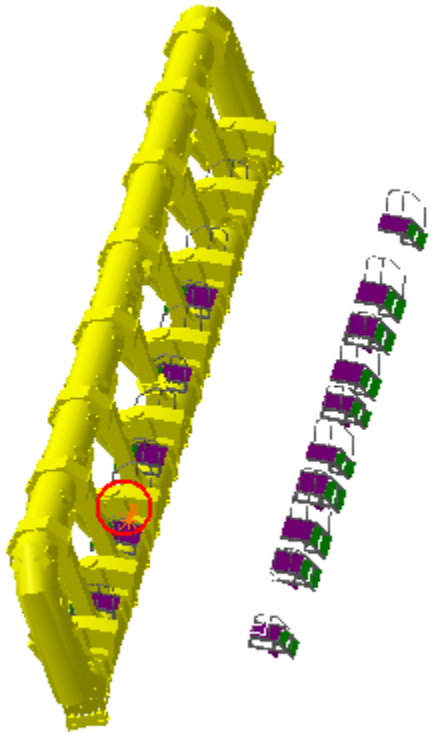
AT392202MQ-Assm Voussuar Platforms Assembly, Sect 4,6	ATCNTB_0001 BT4 TB STANDARD COIL - SECTOR 4	Clash	-44.92mm	Not inspected
--	--	-------	----------	---------------



Side A

Sector 4

AT392202MQ-Assm Voussuar Platforms Assembly, Sect 4,6	ATCNTB_0001 BT6 TB STANDARD COIL – SECTOR 6	Clash	-44.92mm	Not inspected
--	--	-------	----------	---------------



Side A
Sector 6