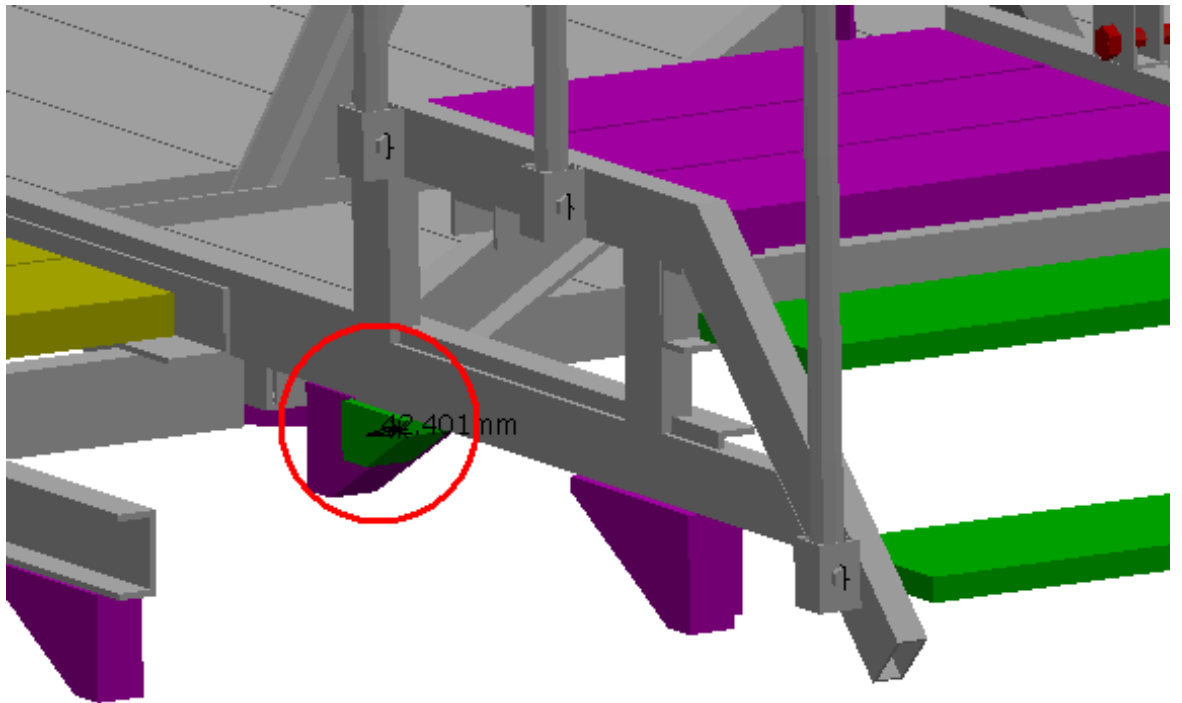
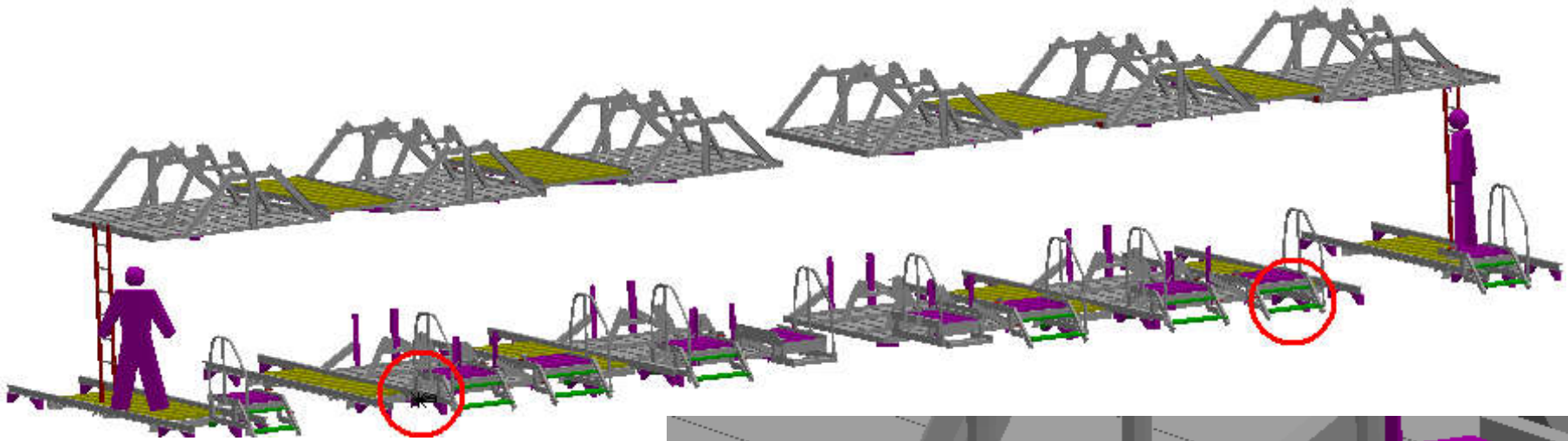


Clash Publish



Clash Computation Specification			
Products Selected		Value	Status
AT392374MQ-S5 - PLTF Sectors 4&5	AT392202MQ-S4 - PLTF Version Sector 4	-42.4 mm	Not inspected
	AT392202MQ-S6 - PLTF Version Sector 6	-42.4 mm	Not inspected
	AT812126MQ - WARM STRUCTURE	-0.035 mm	Not inspected
	AT812127MQ - WARM STRUCTURE	-0.035 mm	Not inspected
	AT812128MQ - WARM STRUCTURE	-0.035 mm	Not inspected
	AT812126MQ-M - WARM STRUCTURE	-0.035 mm	Not inspected
	AT812127MQ-M - WARM STRUCTURE	-0.035 mm	Not inspected
	AT812128MQ-M - WARM STRUCTURE	-0.035 mm	Not inspected

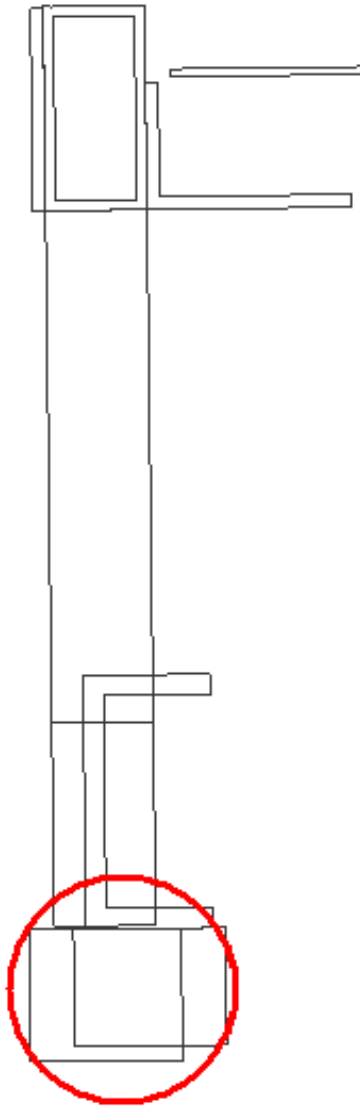
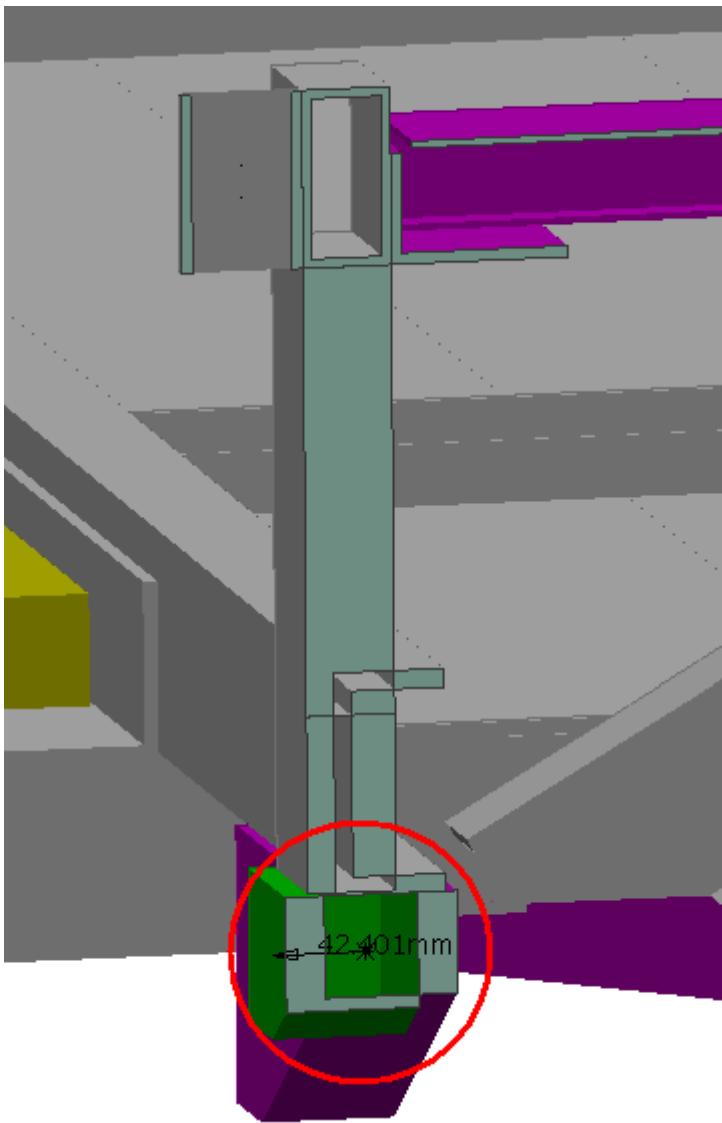
AT392374MQ-S5 - PLTF Sectors 4&5	AT392202MQ-S4 - PLTF Version Sector 4	Clash	-42.4 mm	Not inspected
----------------------------------	---------------------------------------	-------	----------	---------------



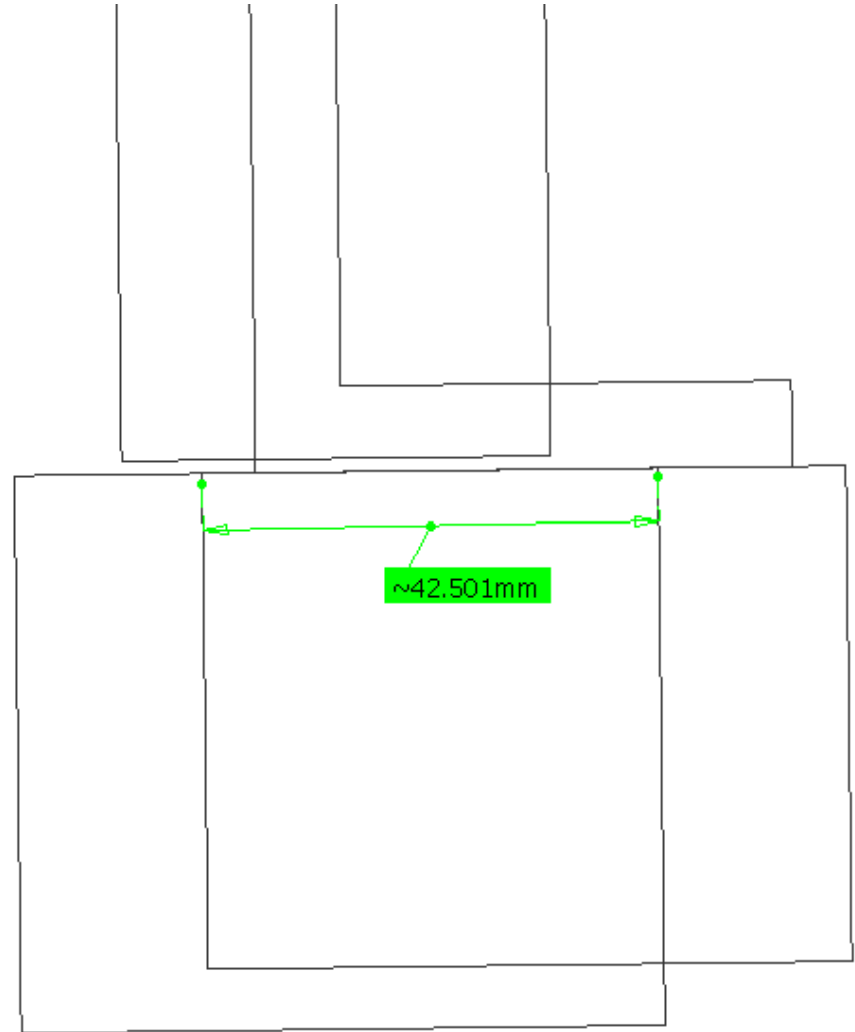
Clash value: ~ 42.4 mm

SIDE A-C

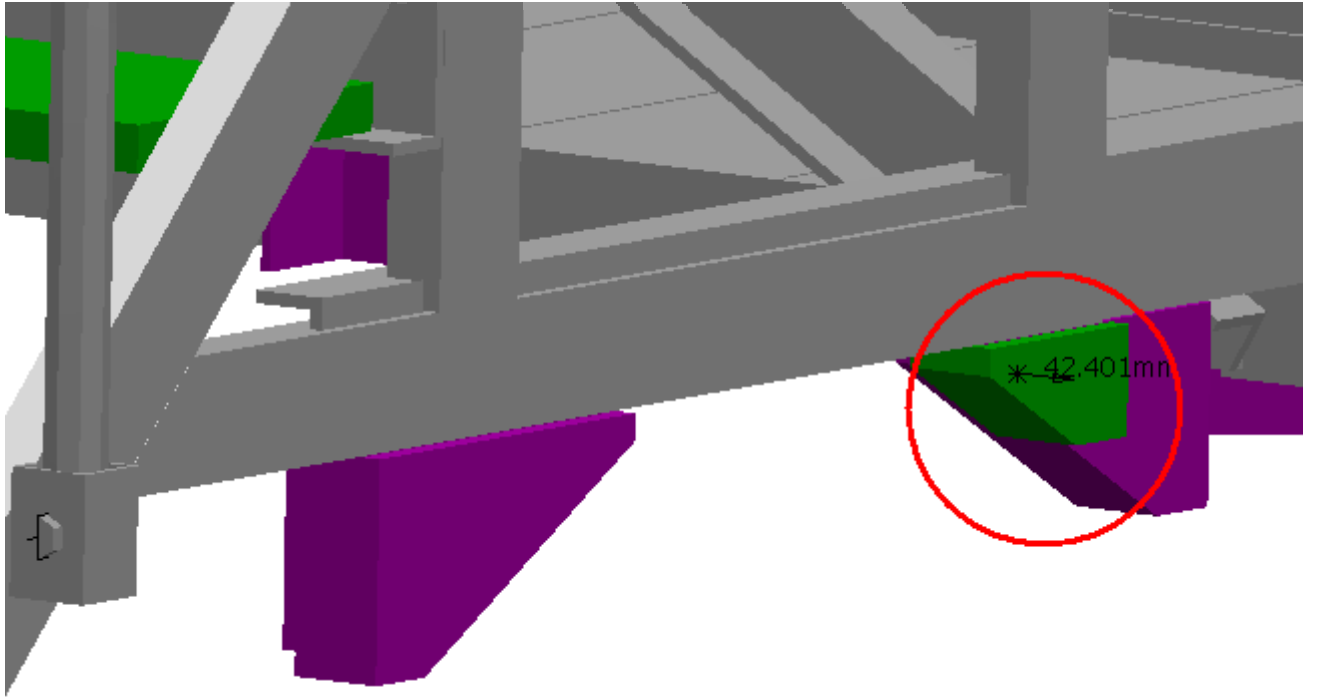
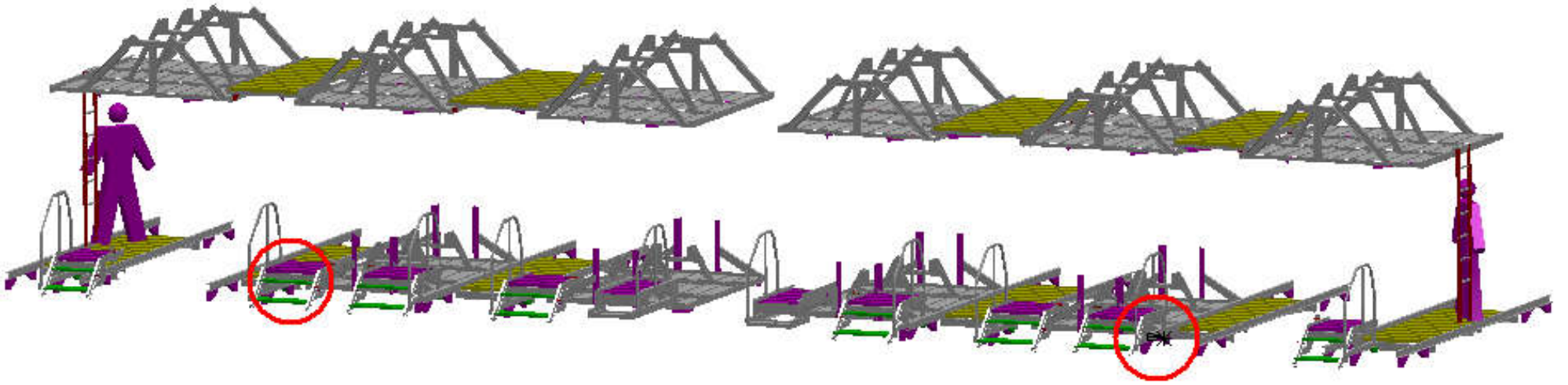
Sector 5



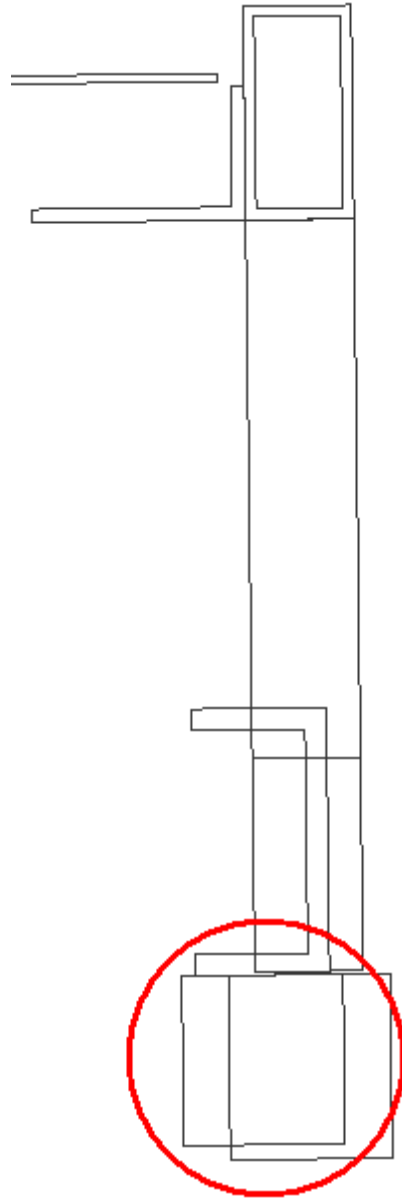
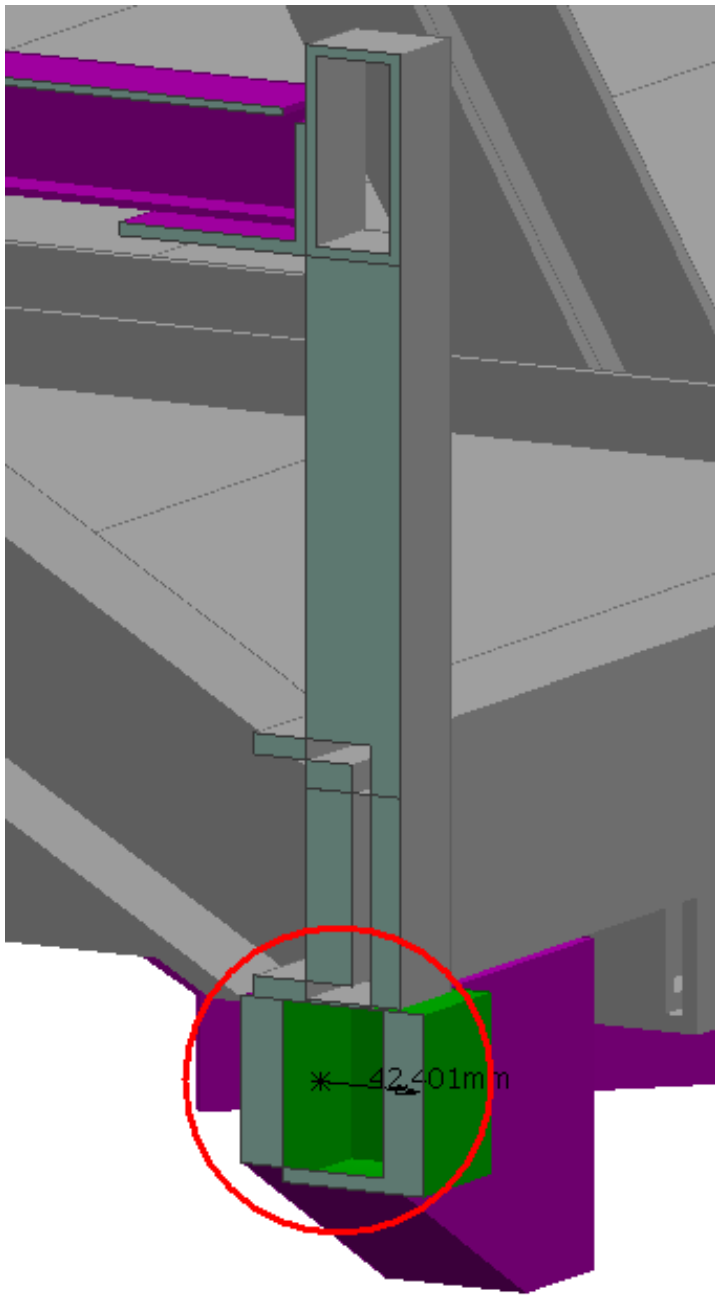
Clash View:



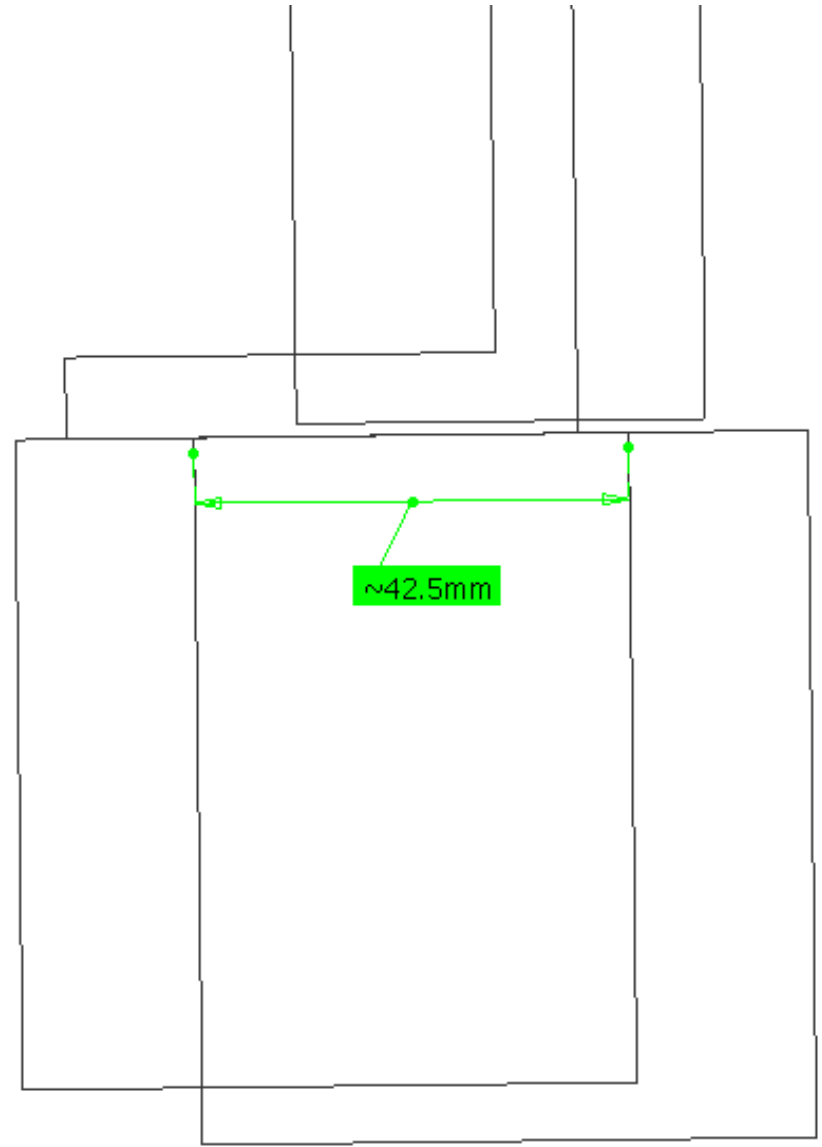
AT392374MQ-S5 - PLTF Sectors 4&5	AT392202MQ-S6 - PLTF Version Sector 6	Clash	-42.4 mm	Not inspected
----------------------------------	---------------------------------------	-------	----------	---------------



Clash value: ~ 42.4 mm
SIDE A-C
Sector 5



Clash View:



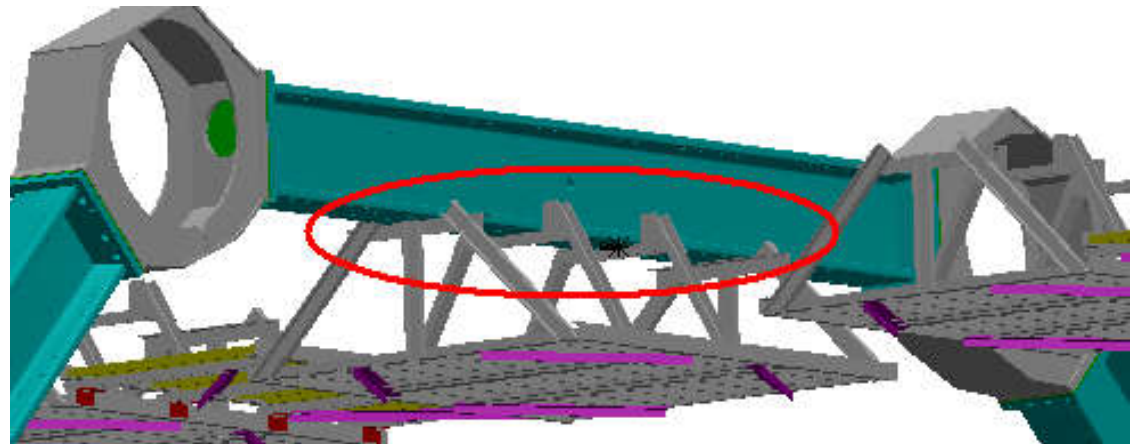
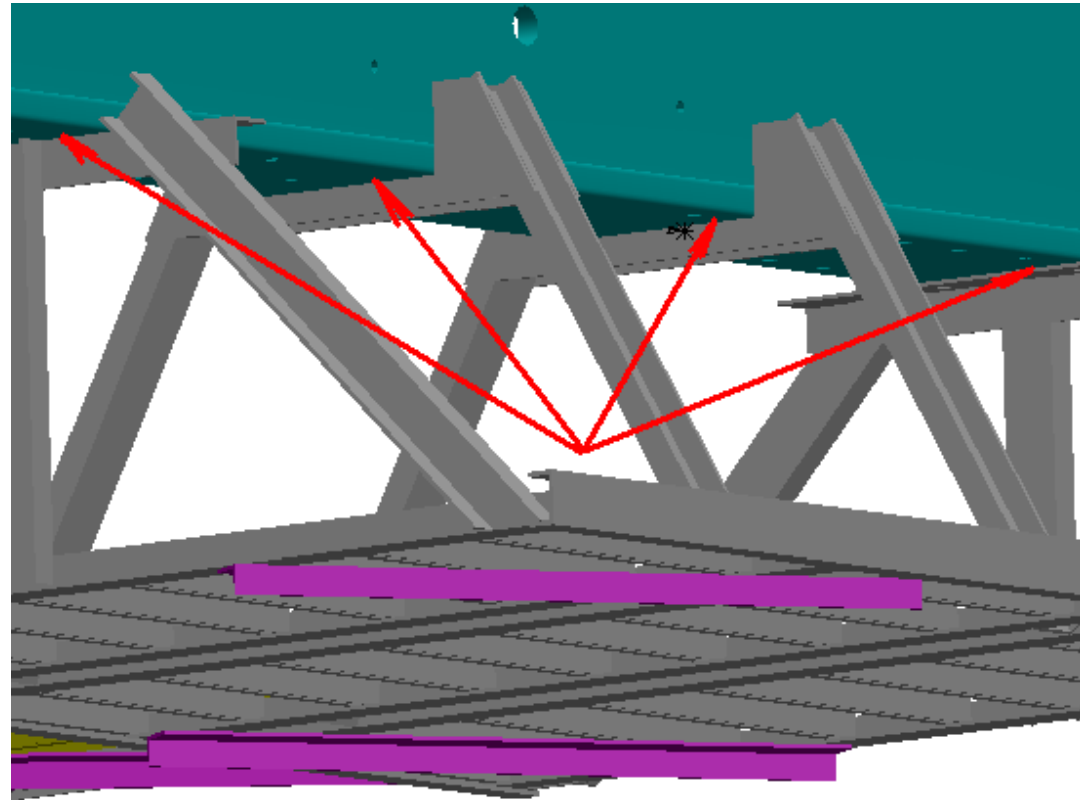
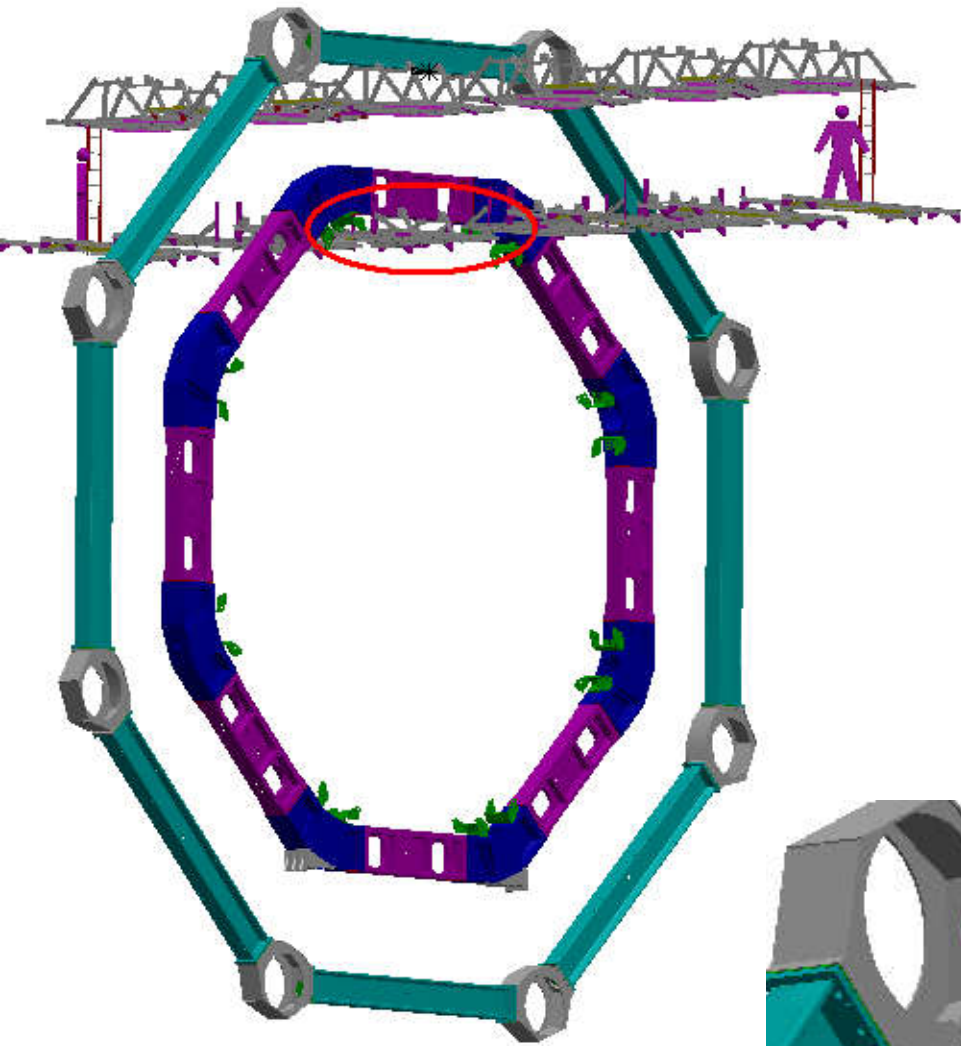
AT392374MQ-S5 - PLTF Sectors 4&5

AT812126MQ - WARM STRUCTURE

Clash

-0.035 mm

Not inspected



Clash value: ~ 0.035 mm

SIDE A

Sector 5

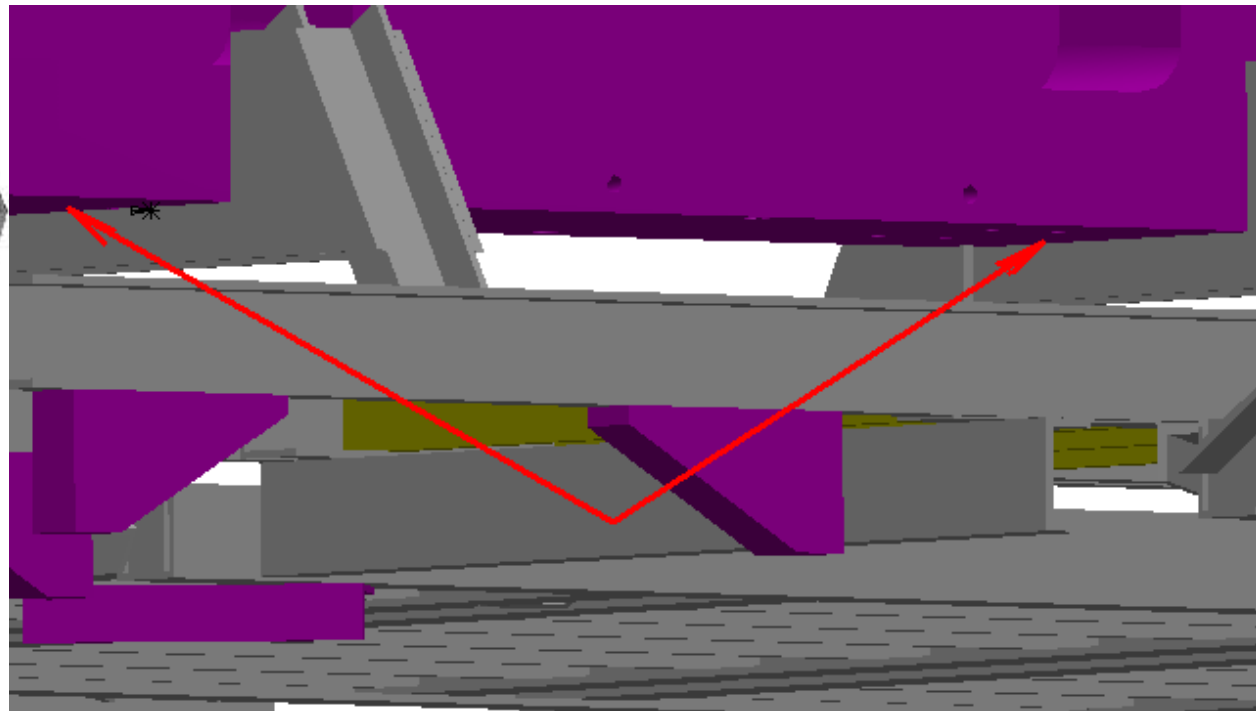
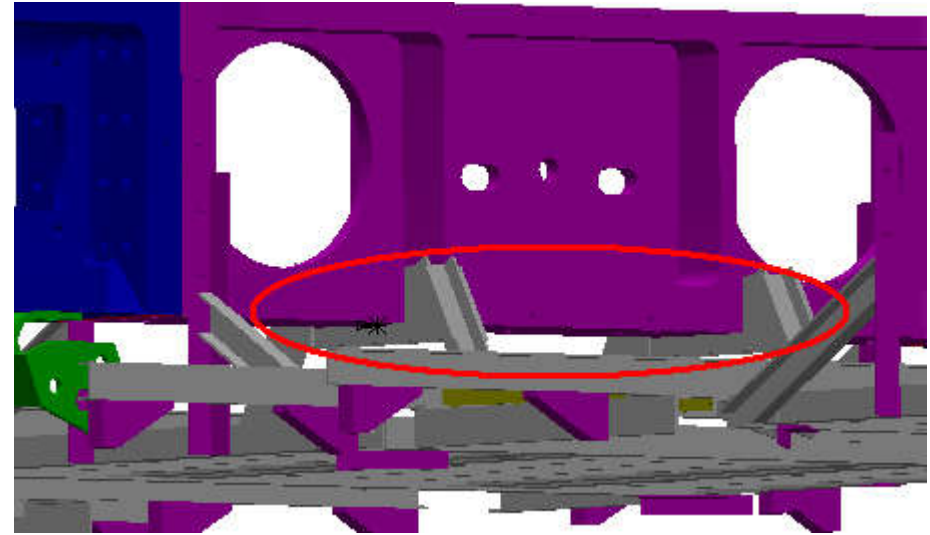
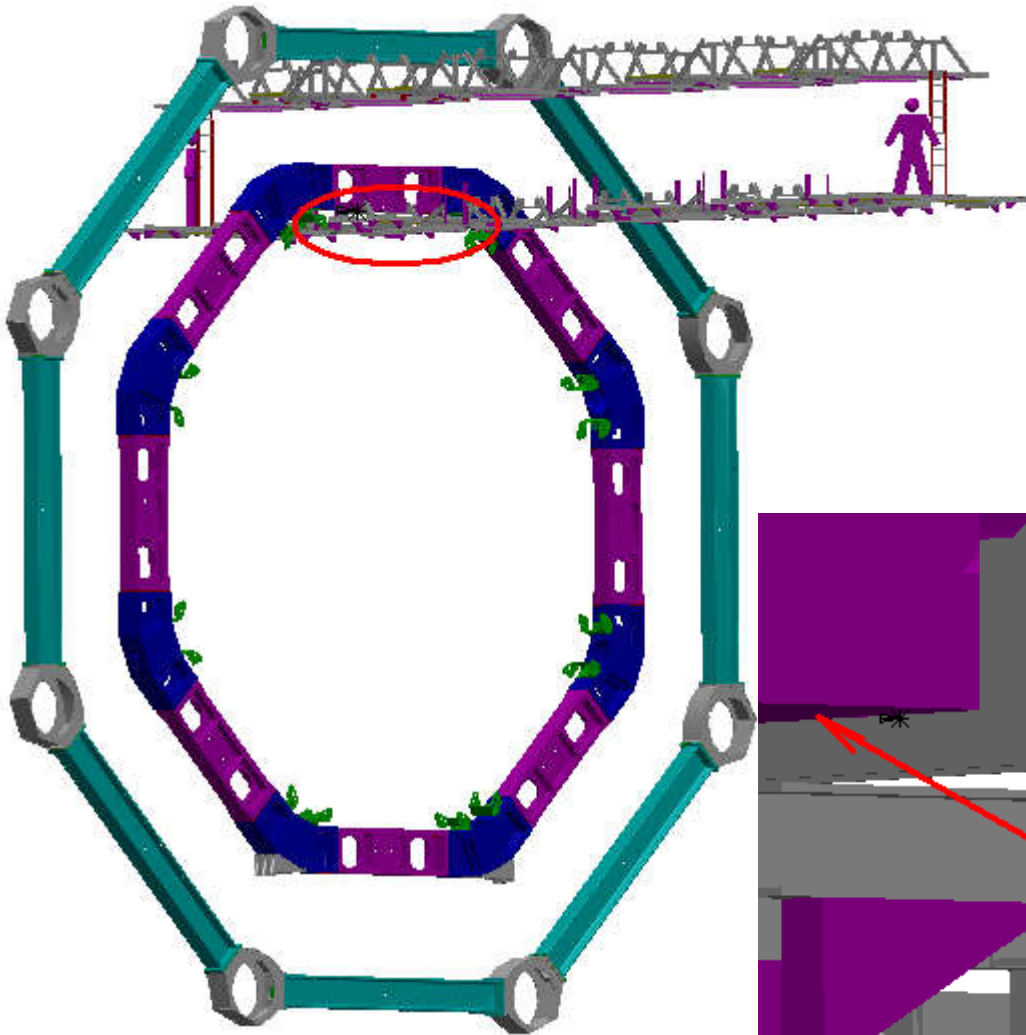
AT392374MQ-S5 - PLTF Sectors 4&5

AT812127MQ - WARM STRUCTURE

Clash

-0.035 mm

Not inspected



Clash value: ~ 0.035mm

SIDE A

Sector 5

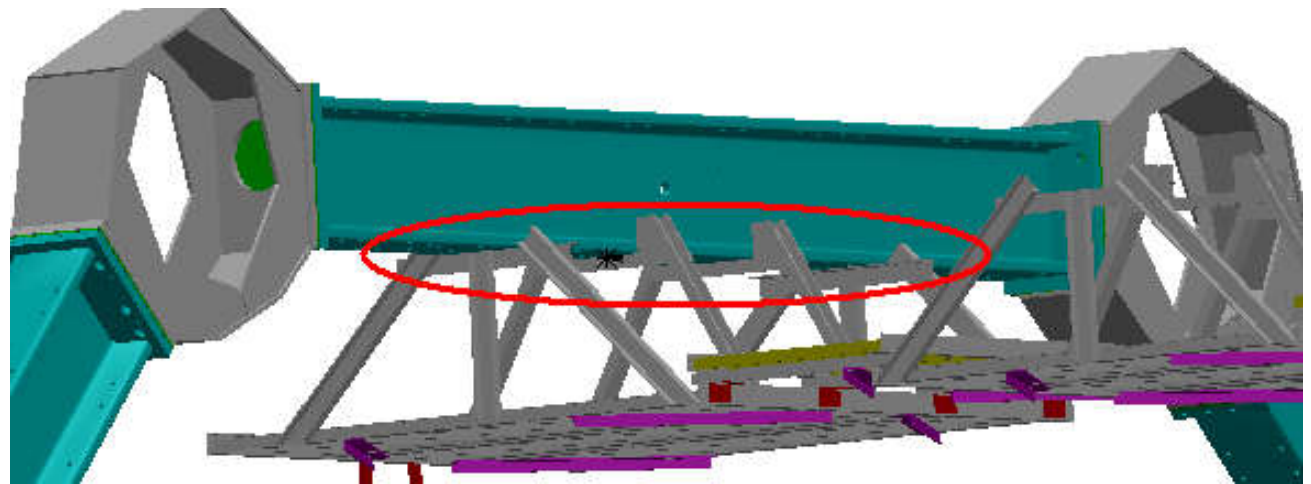
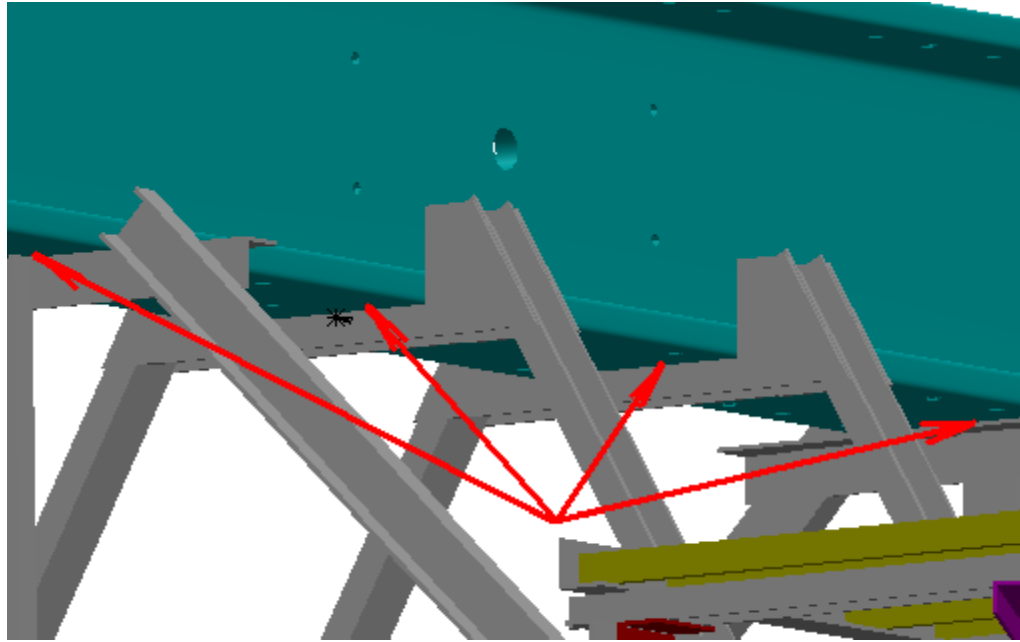
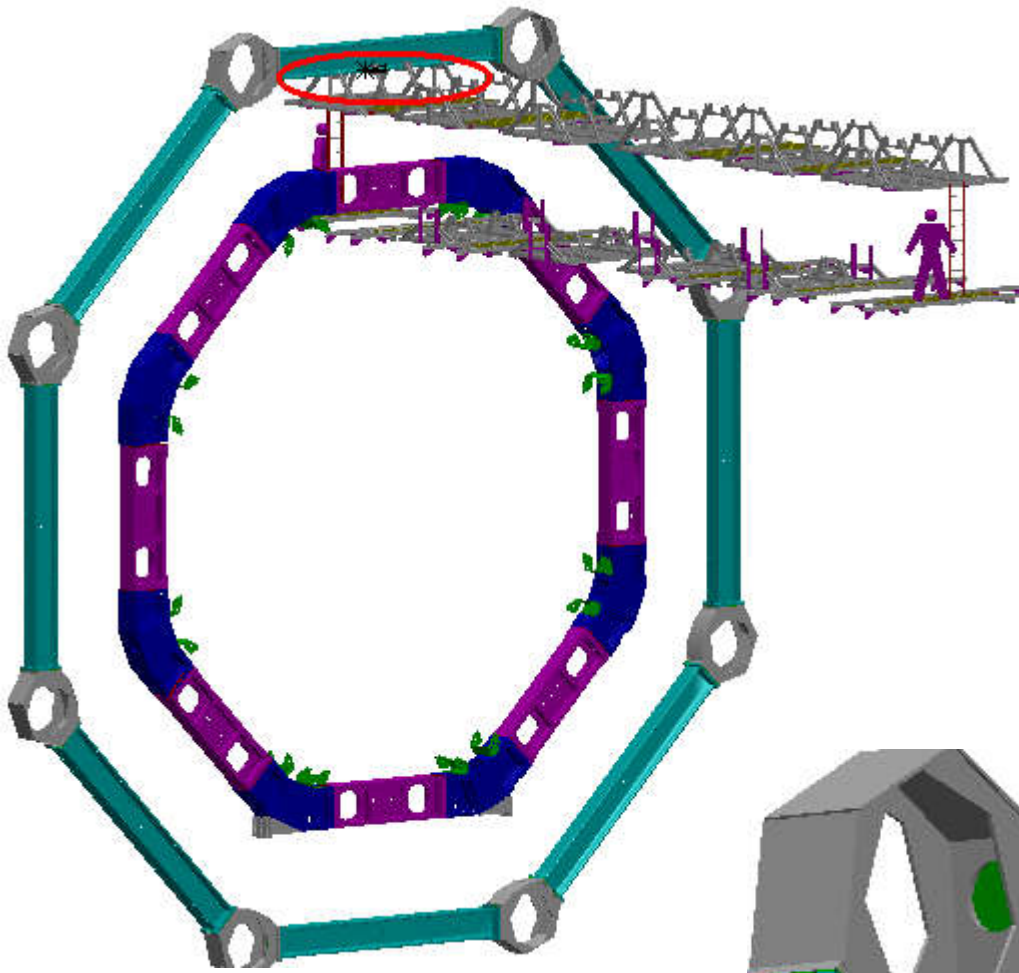
AT392374MQ-S5 - PLTF Sectors 4&5

AT812128MQ - WARM STRUCTURE

Clash

-0.035 mm

Not inspected



Clash value: ~0.035 mm

SIDE A

Sector 5

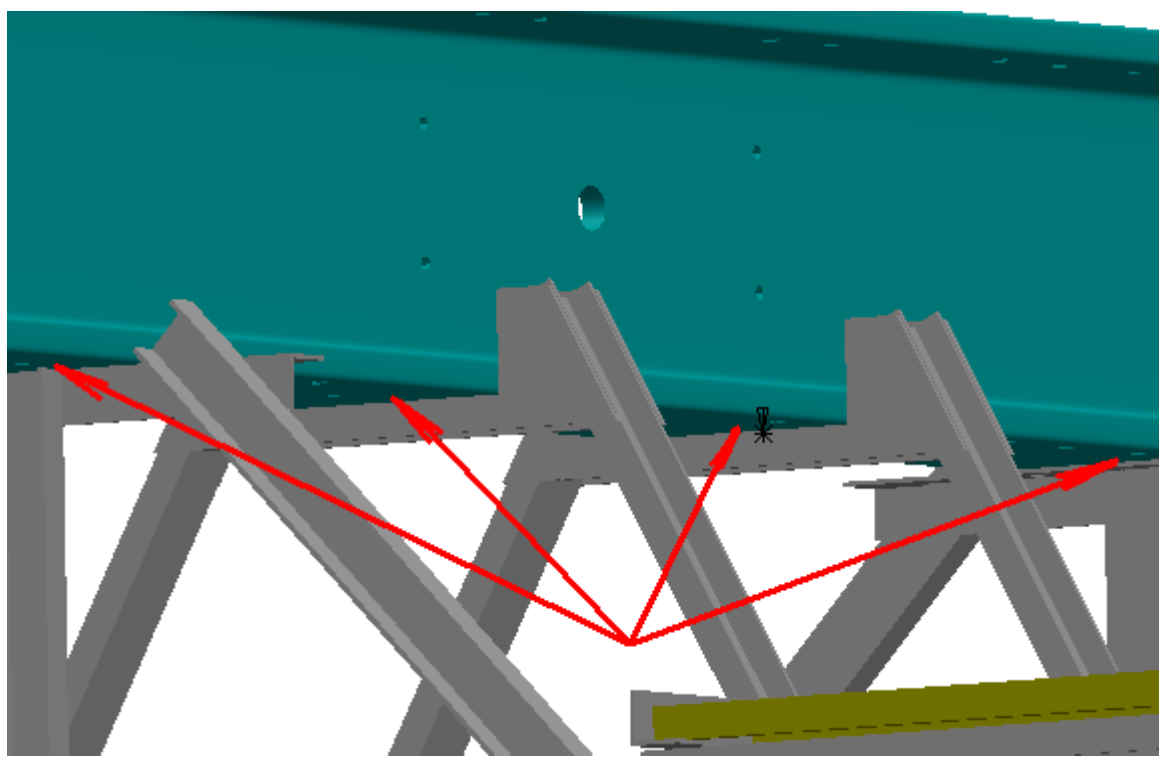
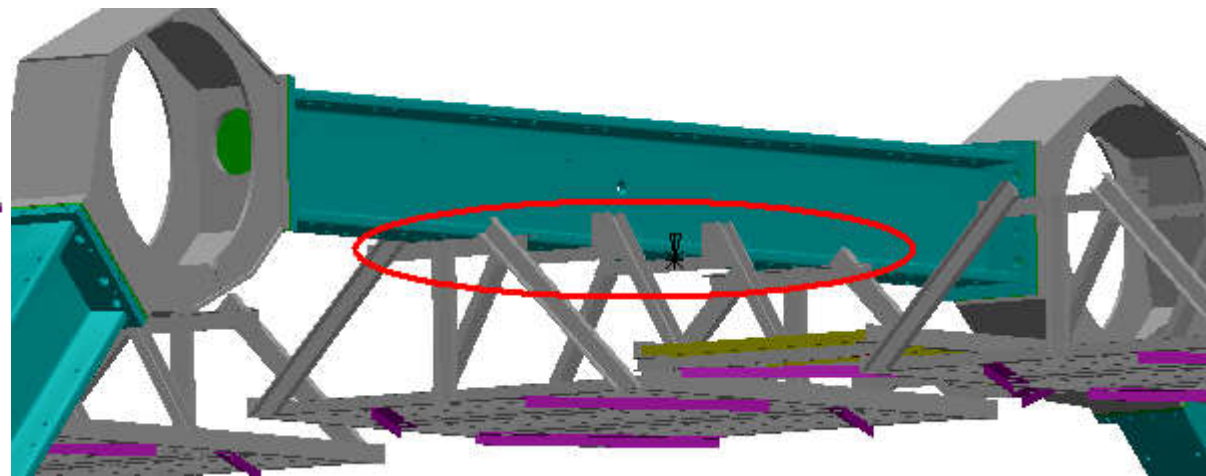
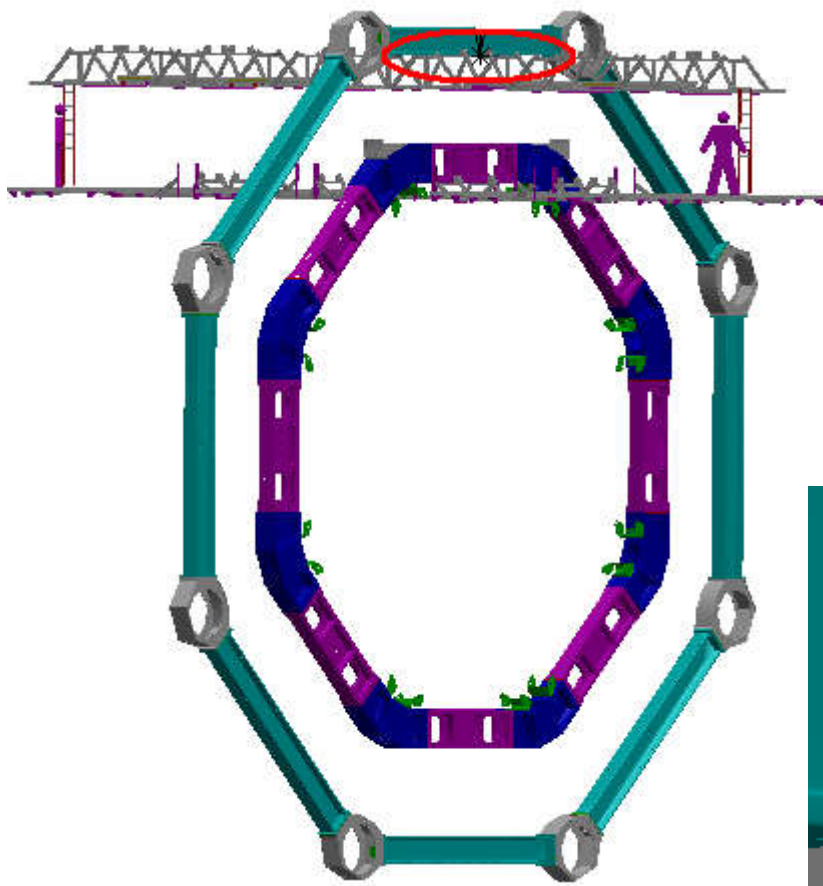
AT392374MQ-S5 - PLTF Sectors 4&5

AT812126MQ-M - WARM STRUCTURE

Clash

-0.035 mm

Not inspected

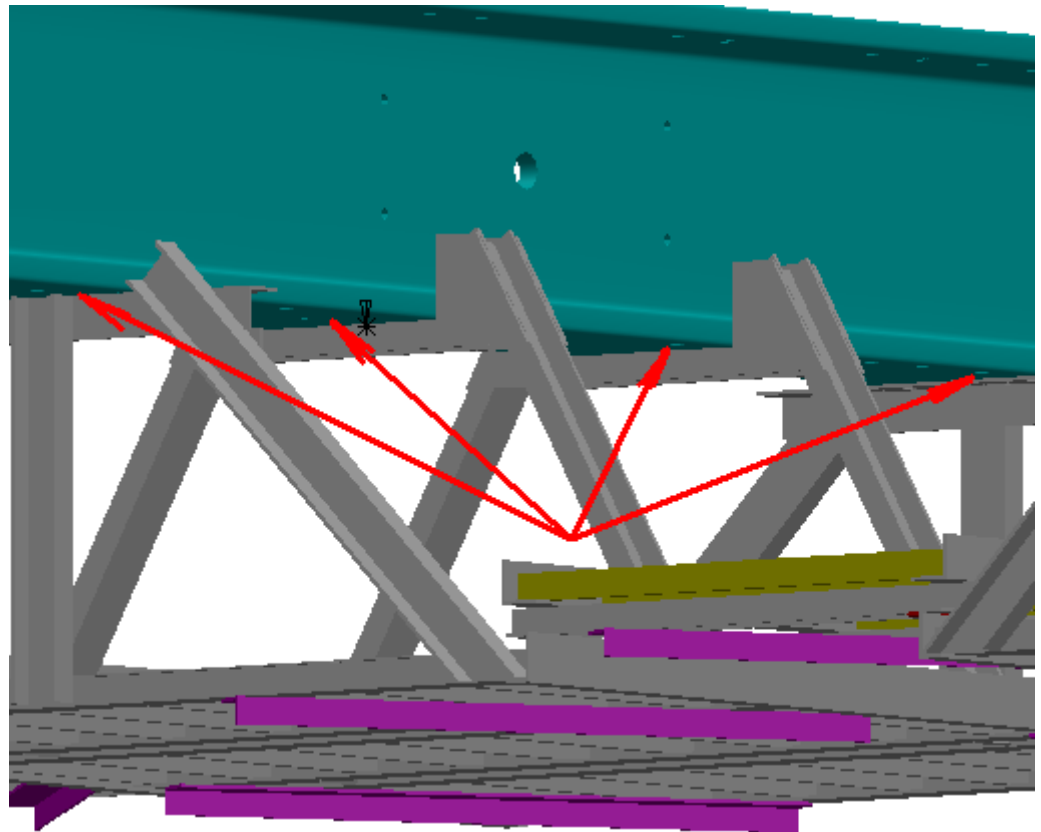
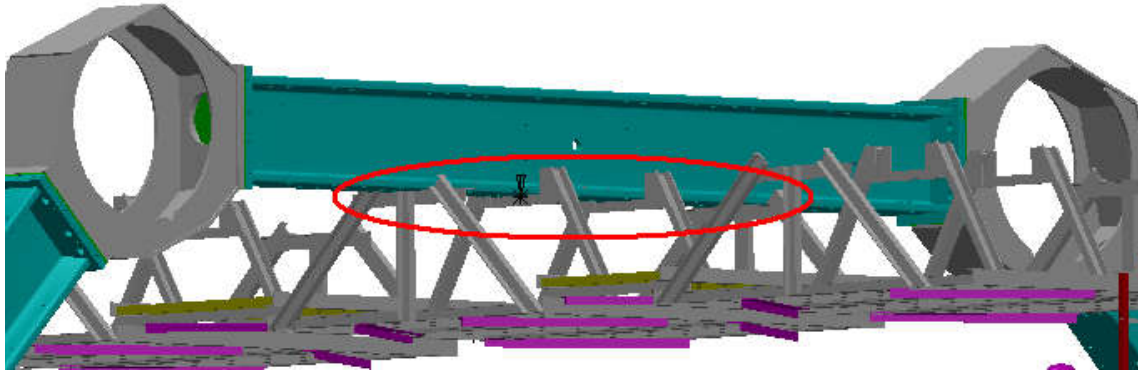
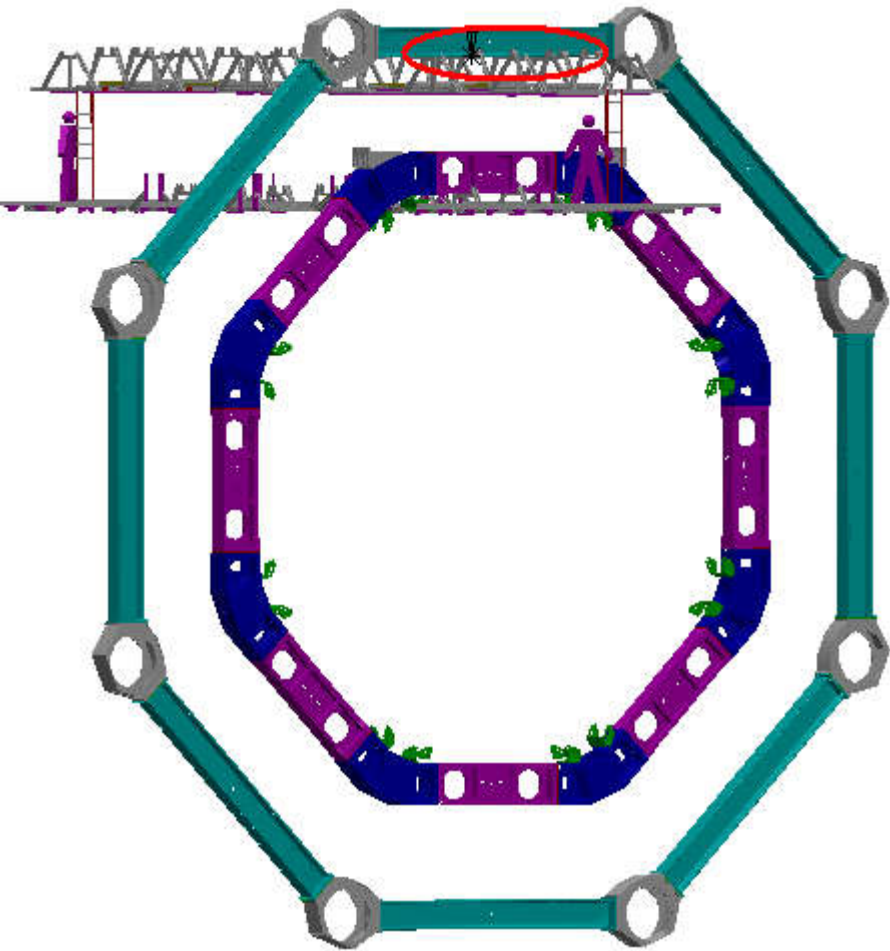


Clash value: ~ 0.035 mm

SIDE C

Sector 5

AT392374MQ-S5 - PLTF Sectors 4&5	AT812127MQ-M - WARM STRUCTURE	Clash	-0.035 mm	Not inspected
----------------------------------	-------------------------------	-------	-----------	---------------



Clash value: ~ 0.035 mm

SIDE C

Sector 5

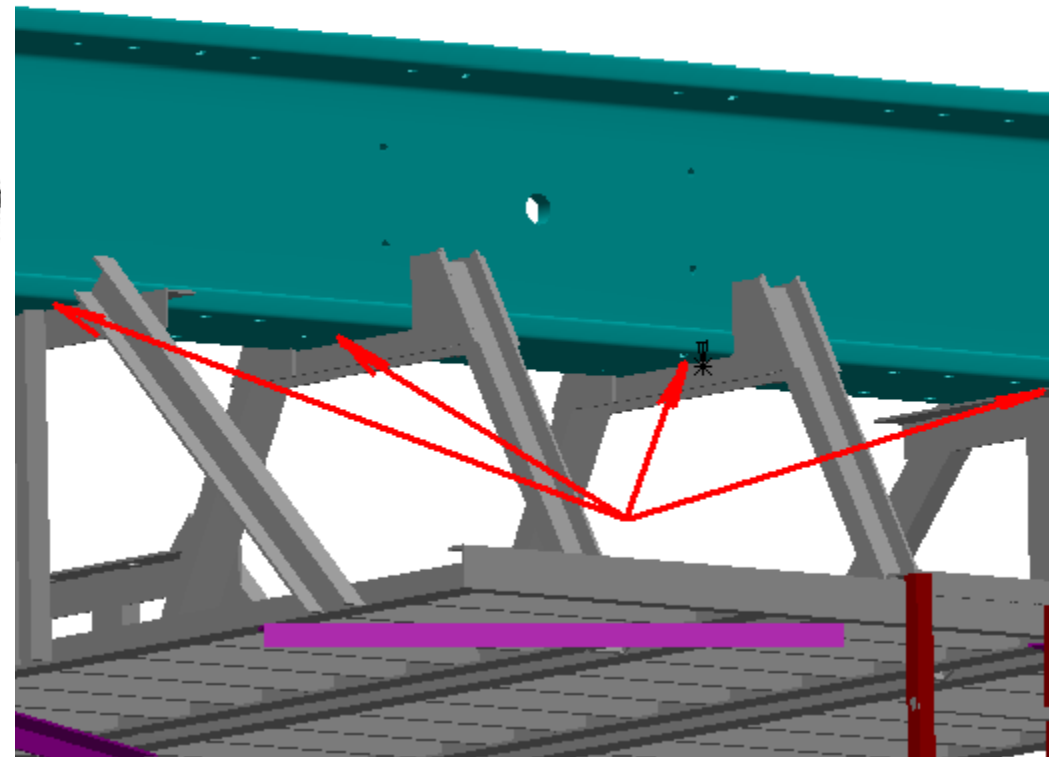
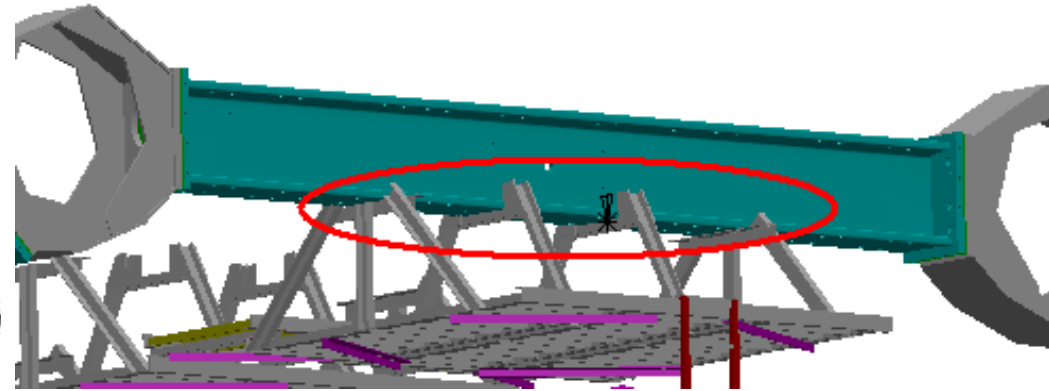
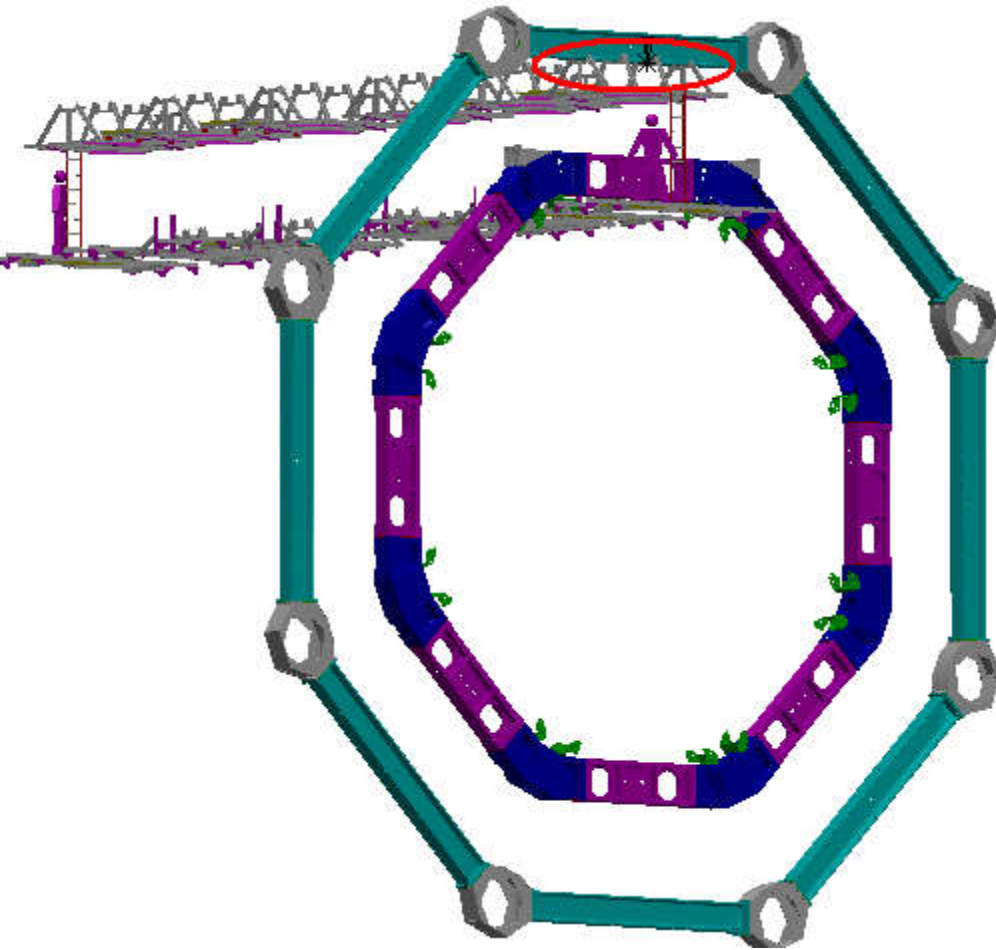
AT392374MQ-S5 - PLTF Sectors 4&5

AT812128MQ-M - WARM STRUCTURE

Clash

-0.035 mm

Not inspected



Clash value: ~ 0.035 mm

SIDE C

Sector 5