

Clearance Publish

Clearance=50mm



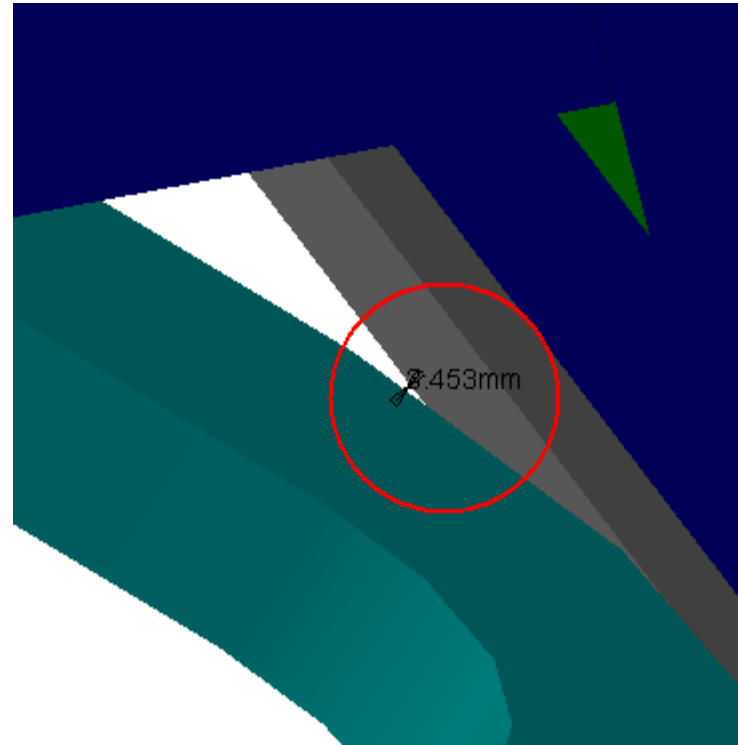
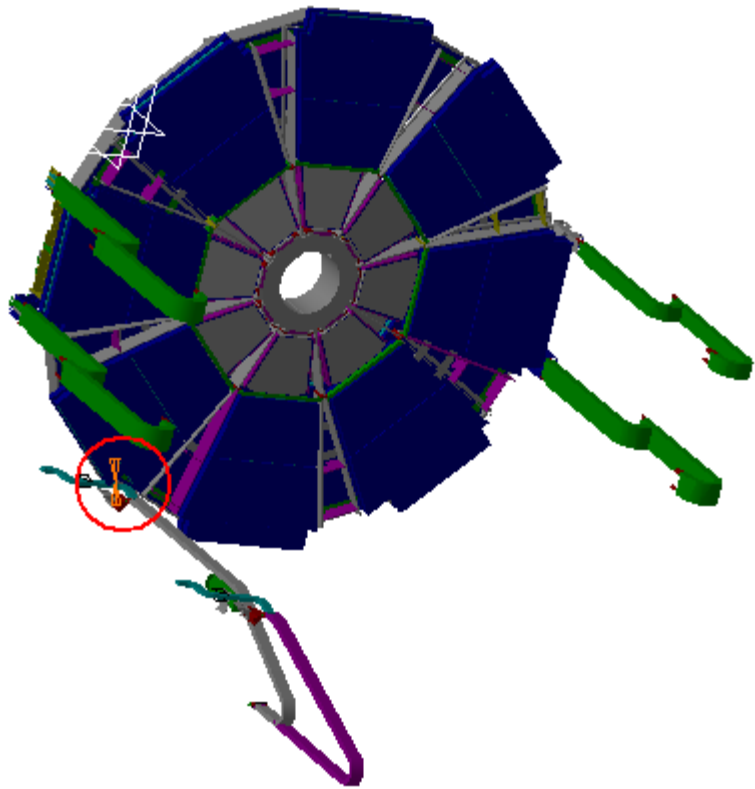
Clearance Computation Specification

Products Selected

AT592057MQ SW outer Chains	ATCNSE_0010 SMALL WHEEL AIR-PAD CHAIN - IN 2 POSITIONS	3.45	Not inspected
	AT602168MQ MCB Muon Barrel Chambers Detailed Sec 10	27.87	Not inspected
	AT602154MQ MCB Muon Barrel Chambers Detailed Sec 4	36.24	Not inspected
	AT602154MQ MCB Muon Barrel Chambers Detailed Sec 6	36.25	Not inspected
	AT602154MQ MCB Muon Barrel Chambers Detailed Sec 2	36.25	Not inspected
	AT602159MQ MCB Muon Barrel Chambers Detailed Sec 8	36.25	Not inspected
	AT602164MQ MCB Muon Barrel Chambers Detailed Sec 12	36.14	Not inspected
	AT602166MQ MCB Muon Barrel Chambers Detailed Sec 14	36.25	Not inspected

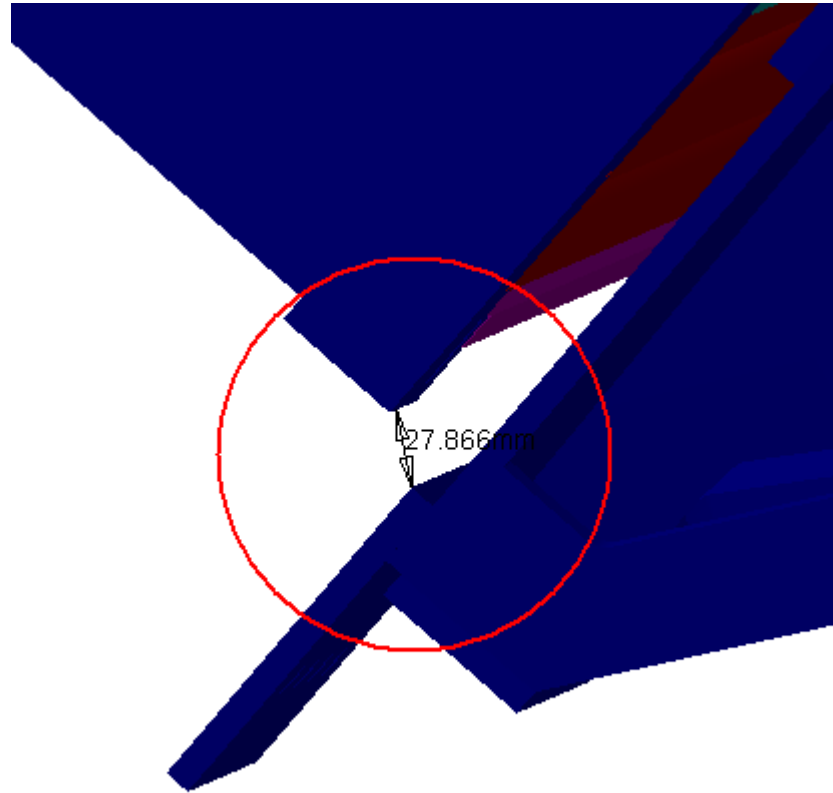
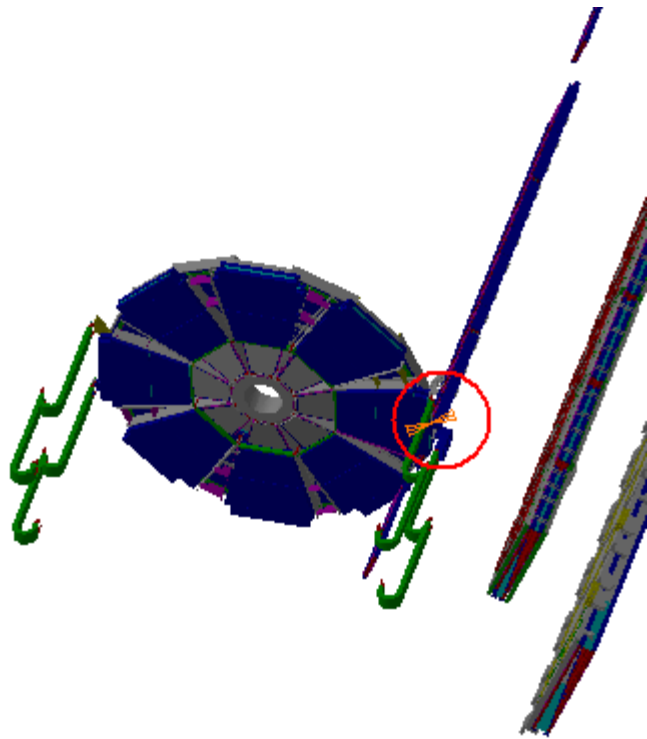
Computation Result:

AT592057MQ SW outer Chains	ATCNSE_0010 SMALL WHEEL AIR-PAD CHAIN - IN 2 POSITIONS	Vector coordinate $\Delta X=0.76\text{mm}$ $\Delta Y=2.85\text{mm}$ $\Delta Z=-1.79\text{mm}$	3.45mm	Not inspected
----------------------------	--	--	--------	---------------



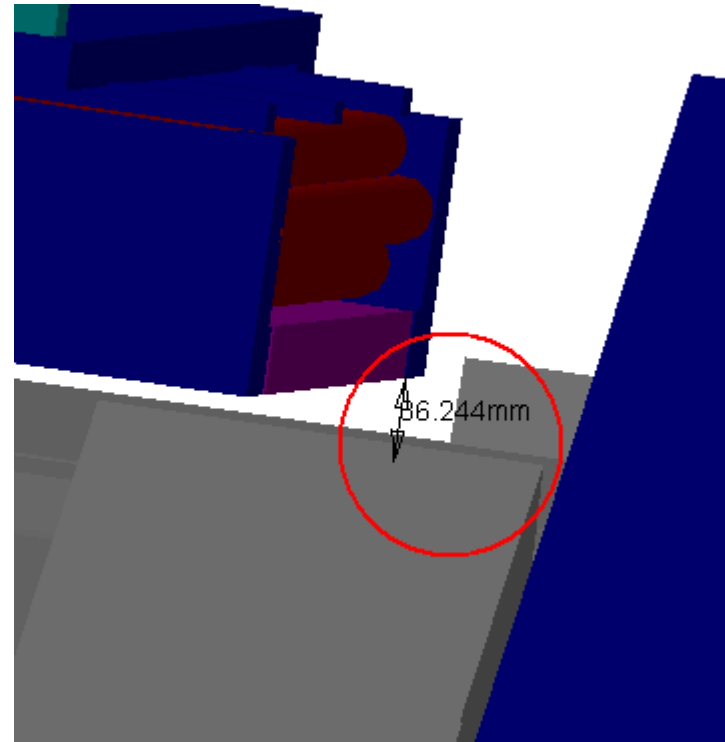
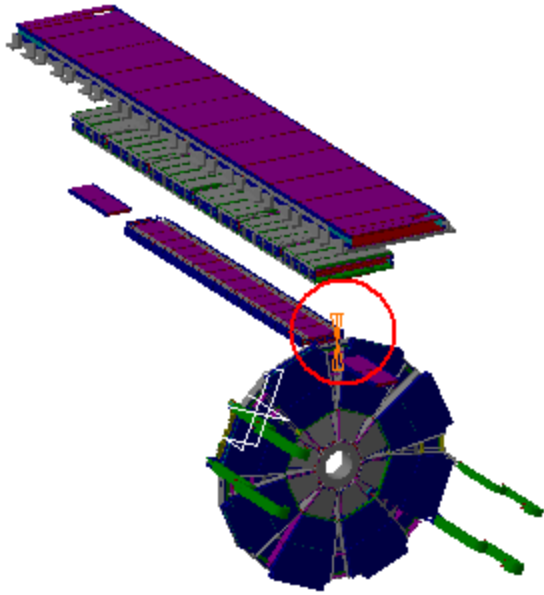
Side C
Sector 15

AT592057MQ SW outer Chains	AT602168MQ MCB Muon Barrel Chambers Detailed Sec 10	Vector coordinate $\Delta X=-15.8\text{mm}$ $\Delta Y=-21.92\text{mm}$ $\Delta Z=-6.82\text{mm}$	27.87mm	Not inspected
----------------------------	---	---	---------	---------------



Side C
Sector 10

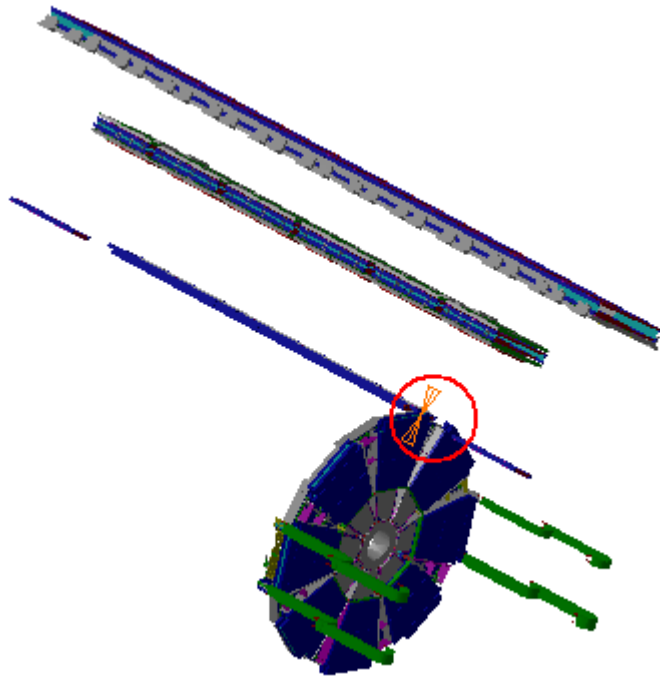
AT592057MQ SW outer Chains	AT602154MQ MCB Muon Barrel Chambers Detailed Sec 4	Vector coordinate $\Delta X=13.87\text{mm}$ $\Delta Y=-0.41\text{mm}$ $\Delta Z=33.48\text{mm}$	36.24mm	Not inspected
----------------------------	---	--	---------	---------------



Side C

Sector 4

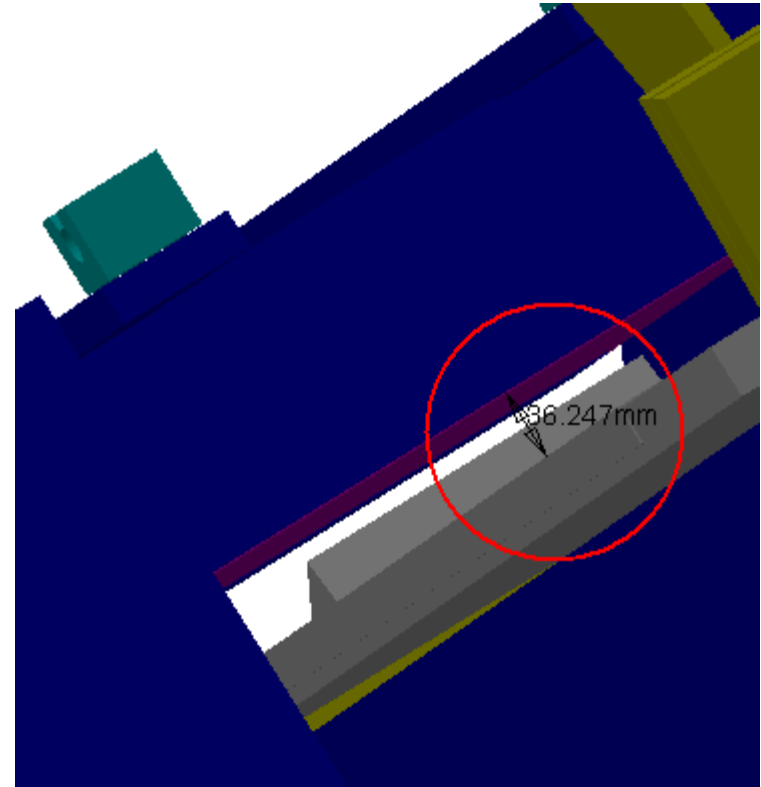
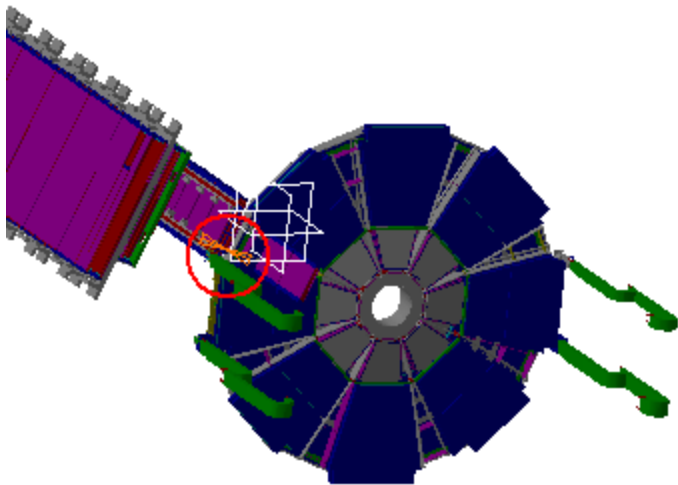
AT592057MQ SW outer Chains	AT602154MQ MCB Muon Barrel Chambers Detailed Sec 6	Vector coordinate $\Delta X=-13.87\text{mm}$ $\Delta Y=-0.41\text{mm}$ $\Delta Z=-33.49\text{mm}$	36.25mm	Not inspected
----------------------------	--	--	---------	---------------



Side C

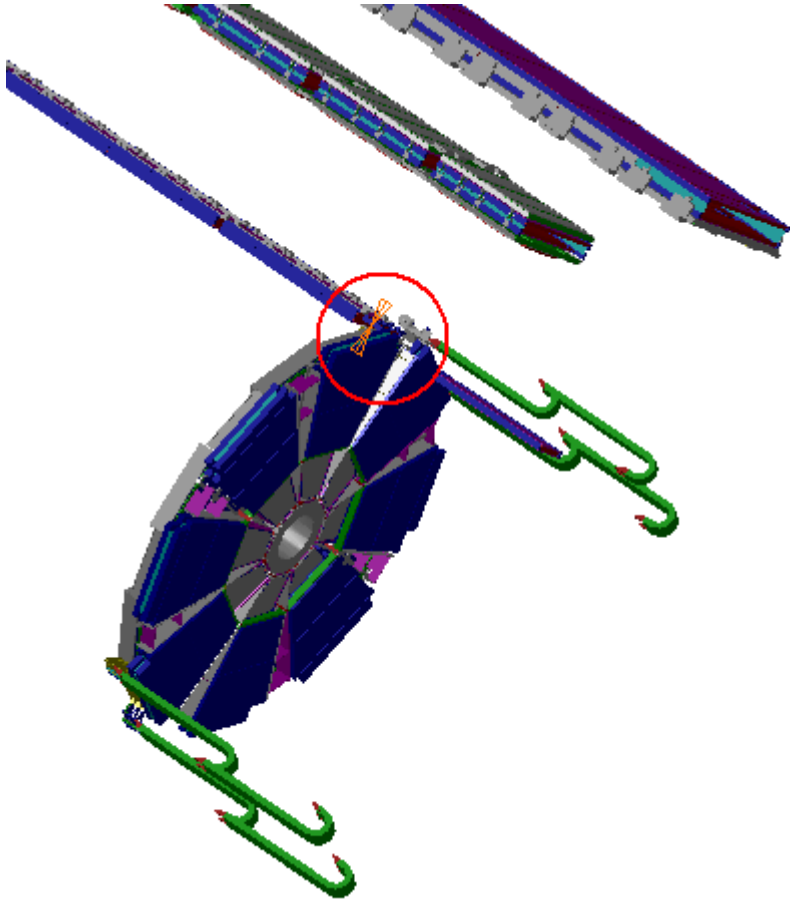
Sector 6

AT592057MQ SW outer Chains	AT602154MQ MCB Muon Barrel Chambers Detailed Sec 2	Vector coordinate $\Delta X=33.49\text{mm}$ $\Delta Y=-0.17\text{mm}$ $\Delta Z=13.87\text{mm}$	36.25mm	Not inspected
----------------------------	--	--	---------	---------------



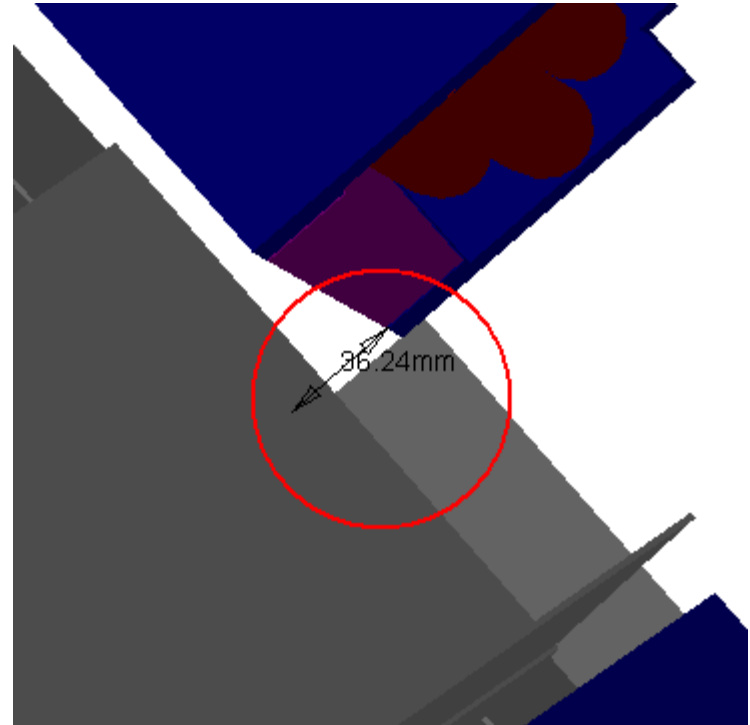
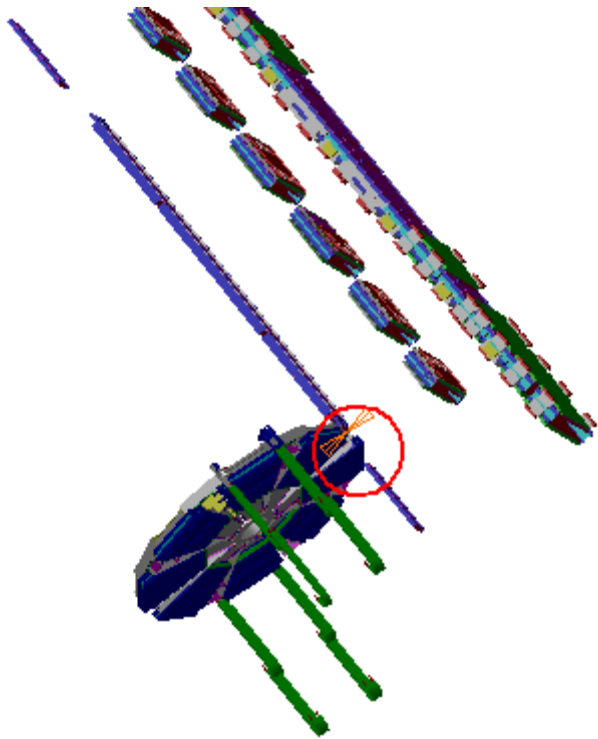
Side C
Sector 2

AT592057MQ SW outer Chains	AT602159MQ MCB Muon Barrel Chambers Detailed Sec 8	Vector coordinate $\Delta X=-33.49\text{mm}$ $\Delta Y=-0.17\text{mm}$ $\Delta Z=13.87\text{mm}$	36.25mm	Not inspected
----------------------------	--	---	---------	---------------



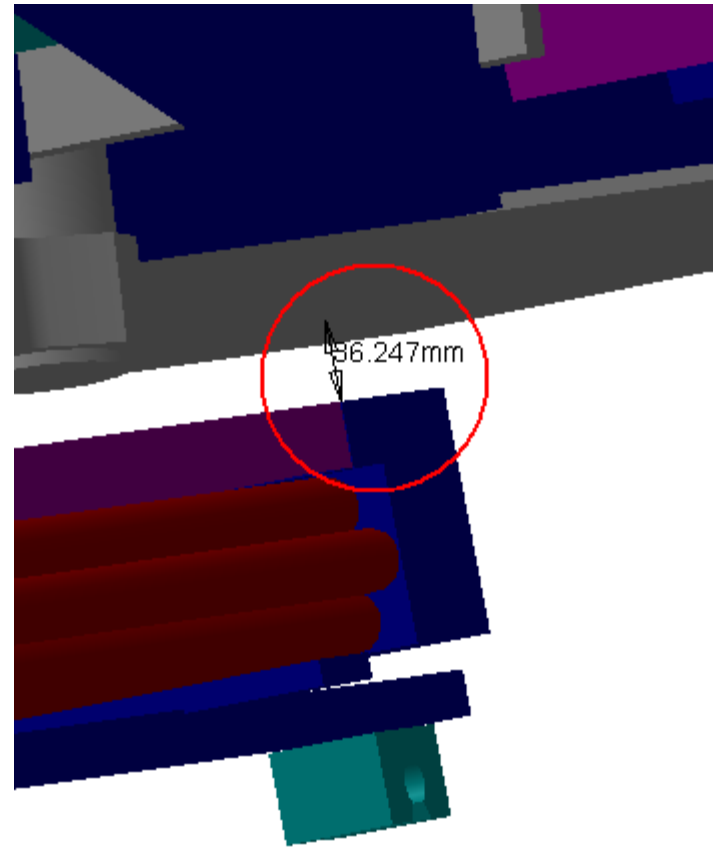
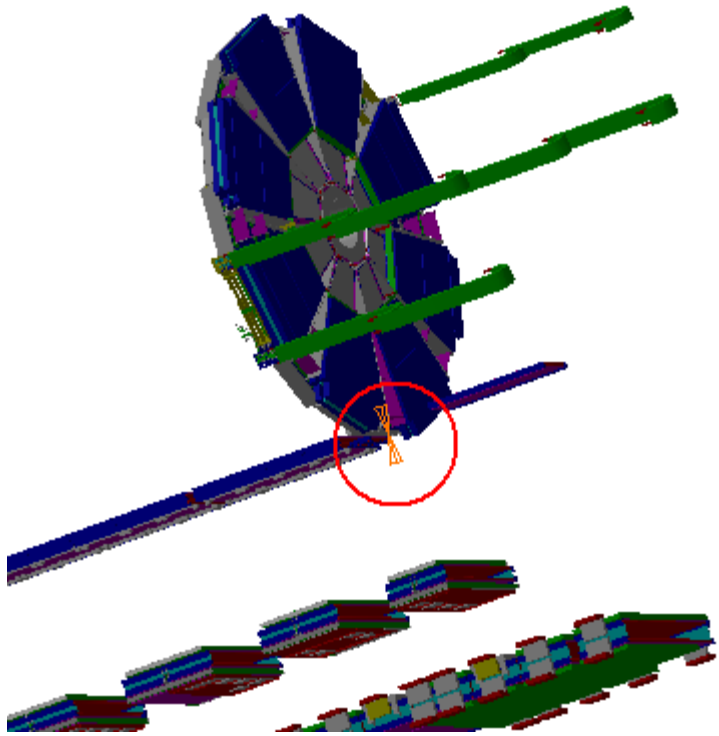
Side C
Sector 8

AT592057MQ SW outer Chains	AT602164MQ MCB Muon Barrel Chambers Detailed Sec 12	Vector coordinate $\Delta X=-13.87\text{mm}$ $\Delta Y=0.41\text{mm}$ $\Delta Z=-33.48\text{mm}$	36.24mm	Not inspected
----------------------------	---	---	---------	---------------



Side C
Sector 12

AT592057MQ SW outer Chains	AT602166MQ MCB Muon Barrel Chambers Detailed Sec 14	Vector coordinate $\Delta X=-13.87\text{mm}$ $\Delta Y=0.41\text{mm}$ $\Delta Z=-33.49\text{mm}$	36.25mm	Not inspected
----------------------------	---	---	---------	---------------



Side C
Sector 14