



# Clash Publish

Clash Computation Specification			
Products Selected		Value	Status
AT602156MQ - MUON BARREL CHAMBERS DETAILED, SECTOR 5	NMA_0003 - BARREL PROJECTIVE ALIGNMENT. - SIMPLE 3-D MODEL. SECTOR 5	-6.3	Not inspected
	NMA_0012 - SECTOR 04 SIDE C (A) - REFERENCE ALIGNMENT SYSTEM AND	-73.8	Not inspected
	NMA_0013 - SECTOR 06 SIDE C (A) - REFERENCE ALIGNMENT SYSTEM AND	-74.6	Not inspected

**Computation Result:**

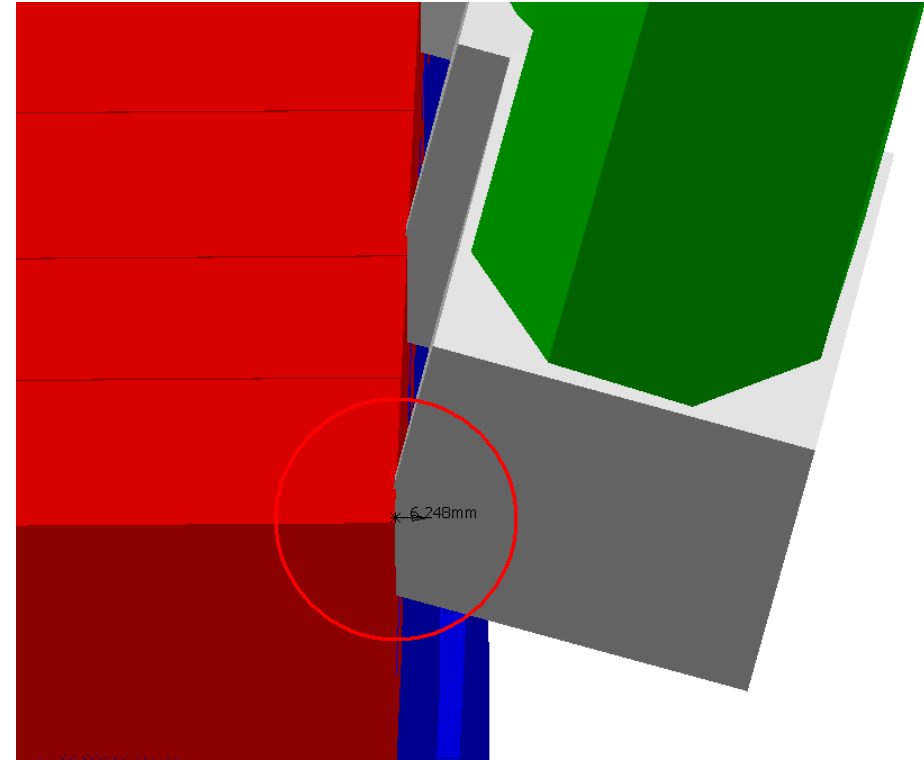
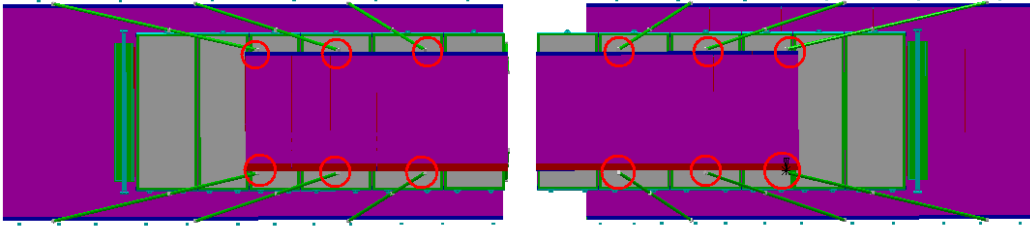
AT602156MQ - MUON BARREL  
CHAMBERS DETAILED, SECTOR 5

NMA\_0003 -BARREL PROJECTIVE ALIGNMENT. -  
SIMPLE 3-D MODEL. SECTOR 5

Clash

-6.2478

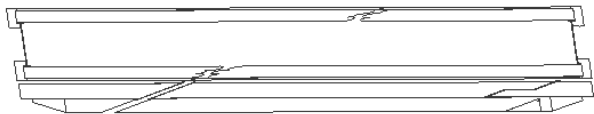
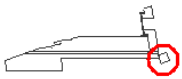
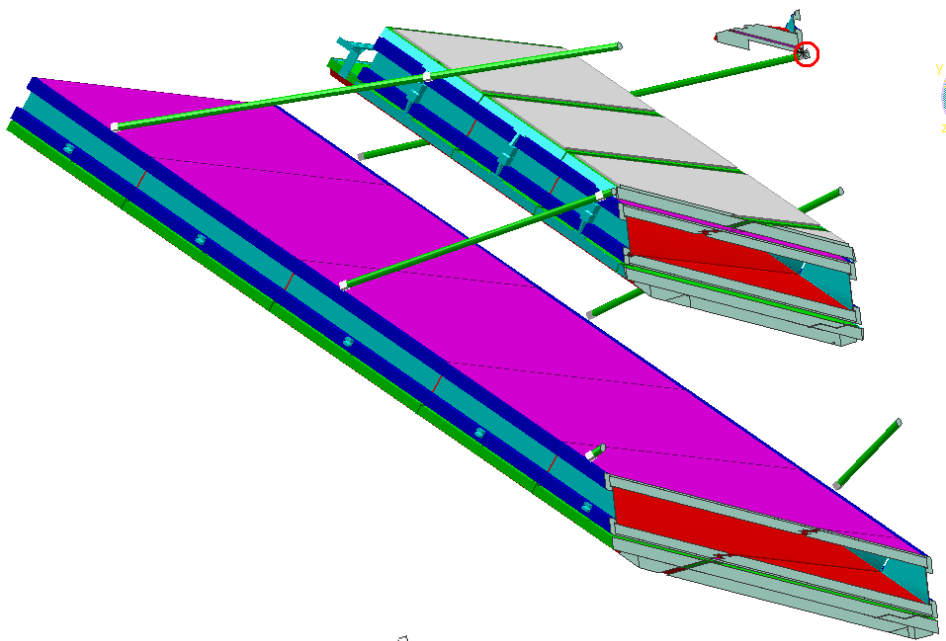
Not inspected



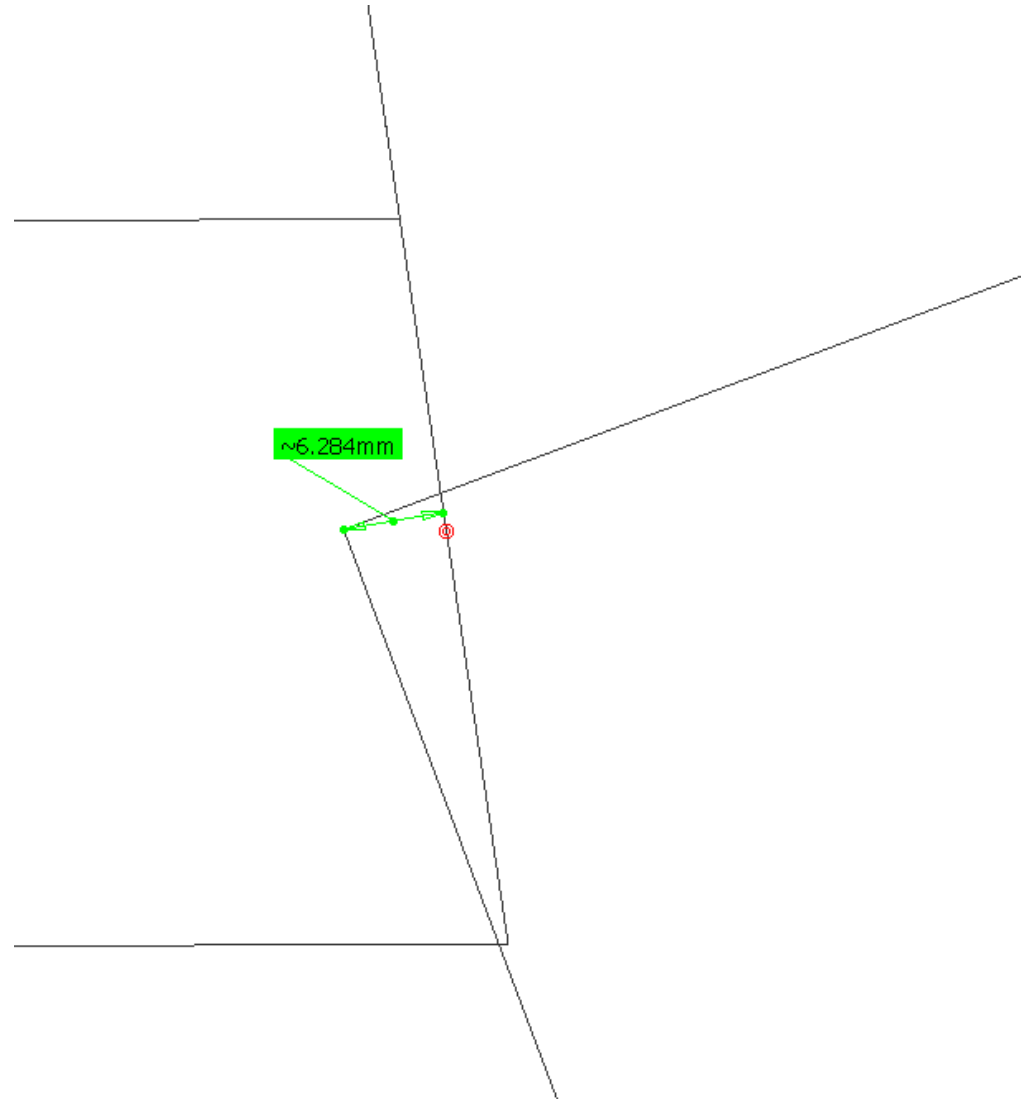
Clash value: ~ 6.3 mm

SIDE A-C

Sector 5



# Clash View:



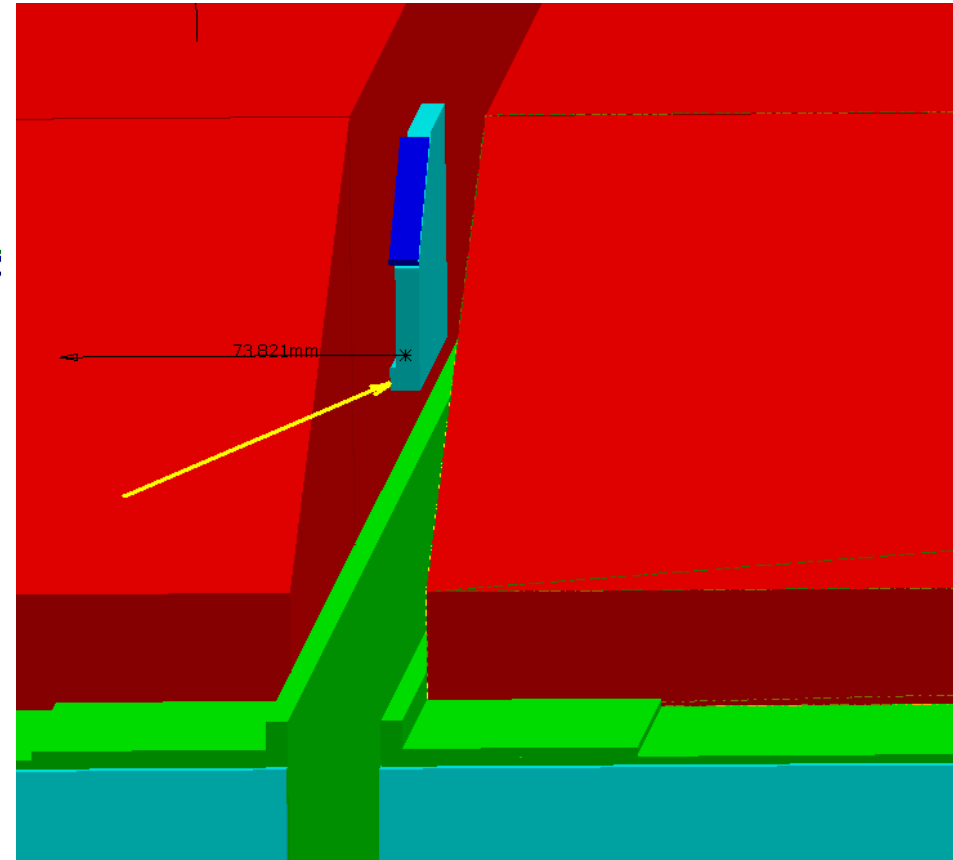
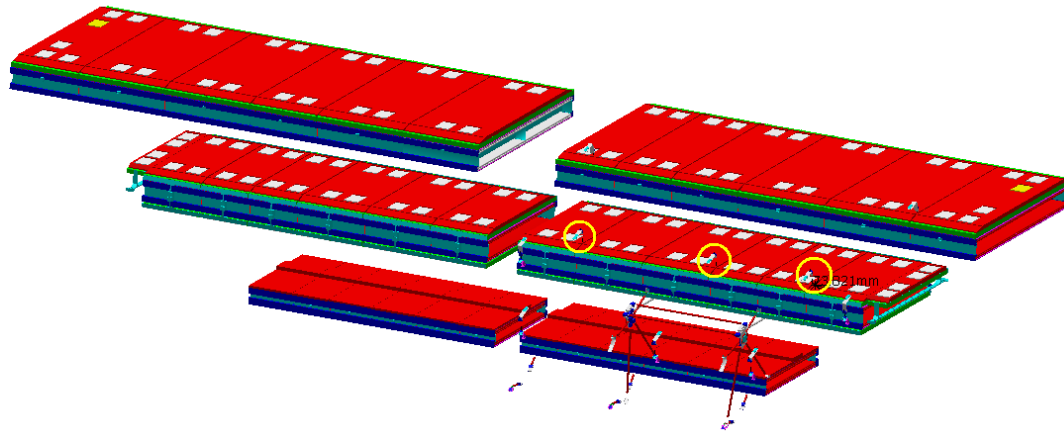
AT602156MQ - MUON BARREL  
CHAMBERS DETAILED, SECTOR 5

NMA\_0012 - SECTOR 04 SIDE C (A) - REFERENCE  
ALIGNMENT SYSTEM AND

Clash

-73.8206

Not inspected

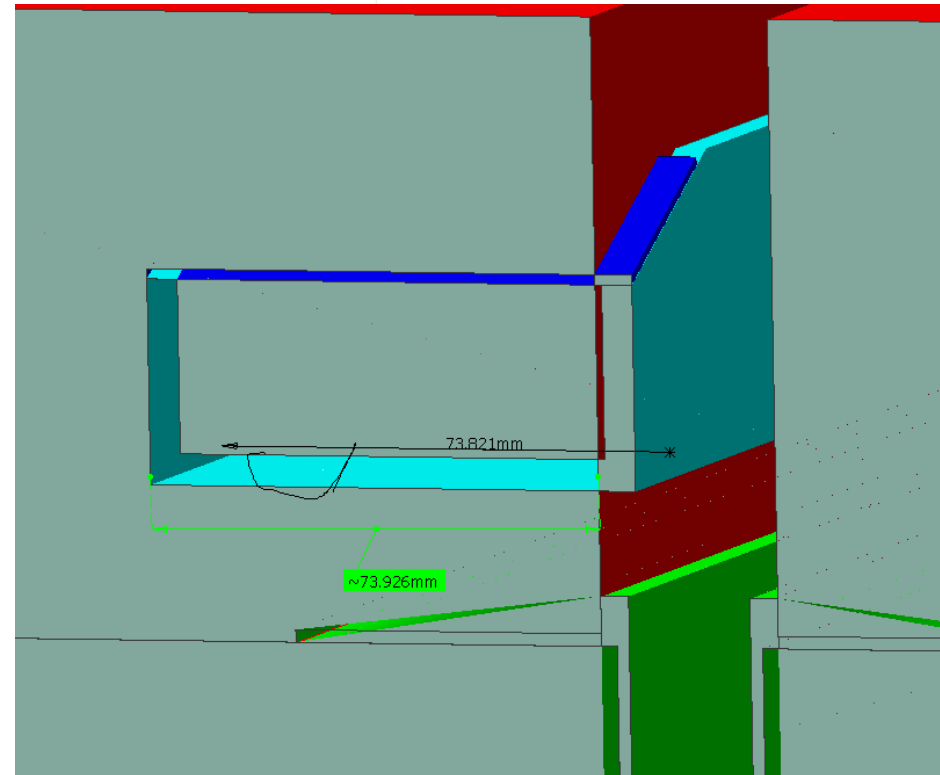
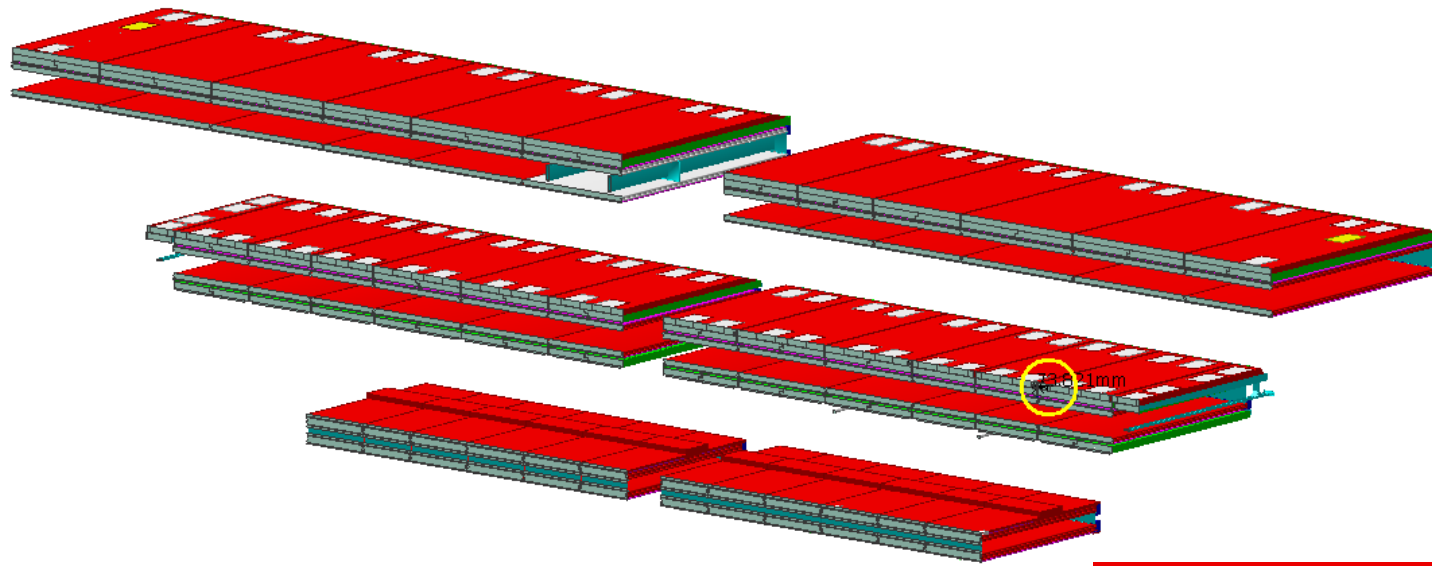


Clash value: ~ 73.8 mm

SIDE C

Sector 5

# Clash View:



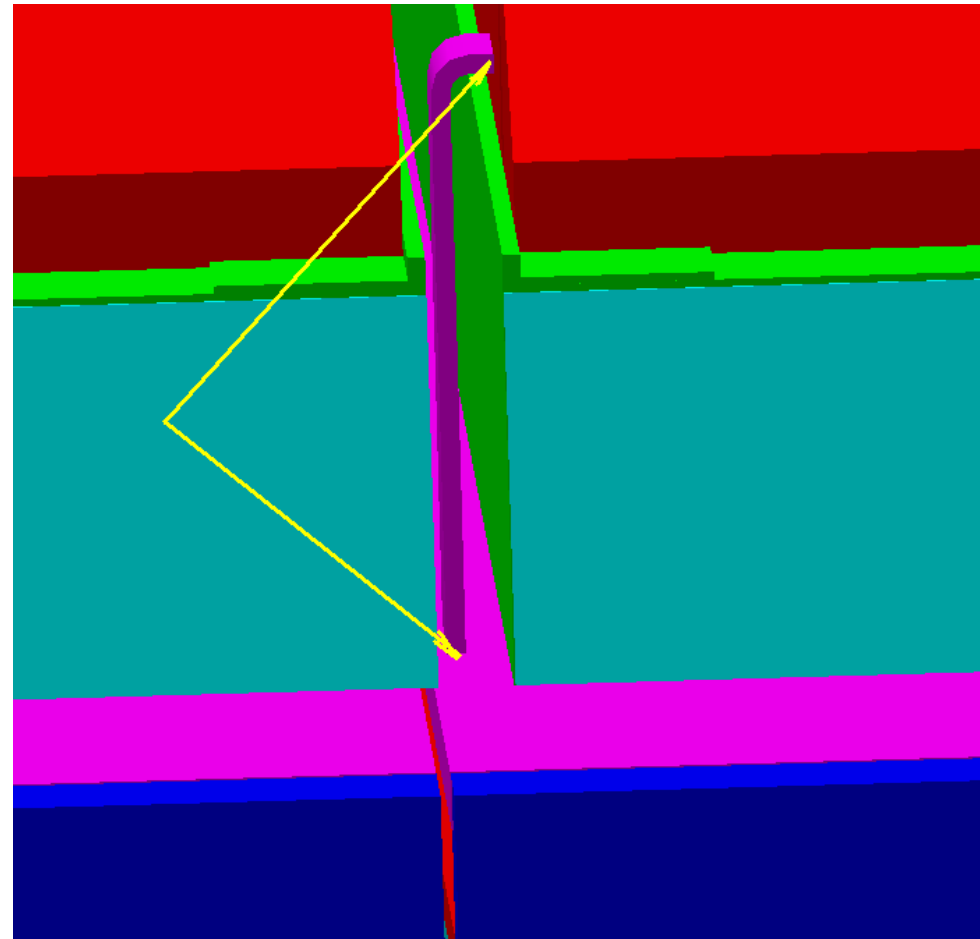
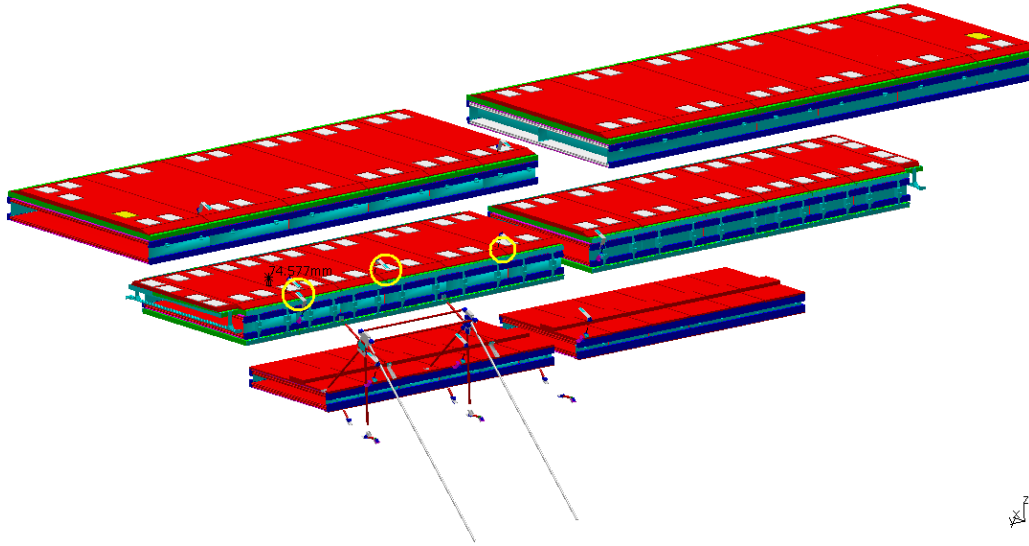
AT602156MQ - MUON BARREL  
CHAMBERS DETAILED, SECTOR 5

NMA\_0013 - SECTOR 06 SIDE C (A) - REFERENCE  
ALIGNMENT SYSTEM AND

Clash

-74.577

Not inspected



Clash value: ~ 74.6 mm

SIDE C

Sector 5

# Clash View:

