

Clearance Publish

Clearance = 50mm



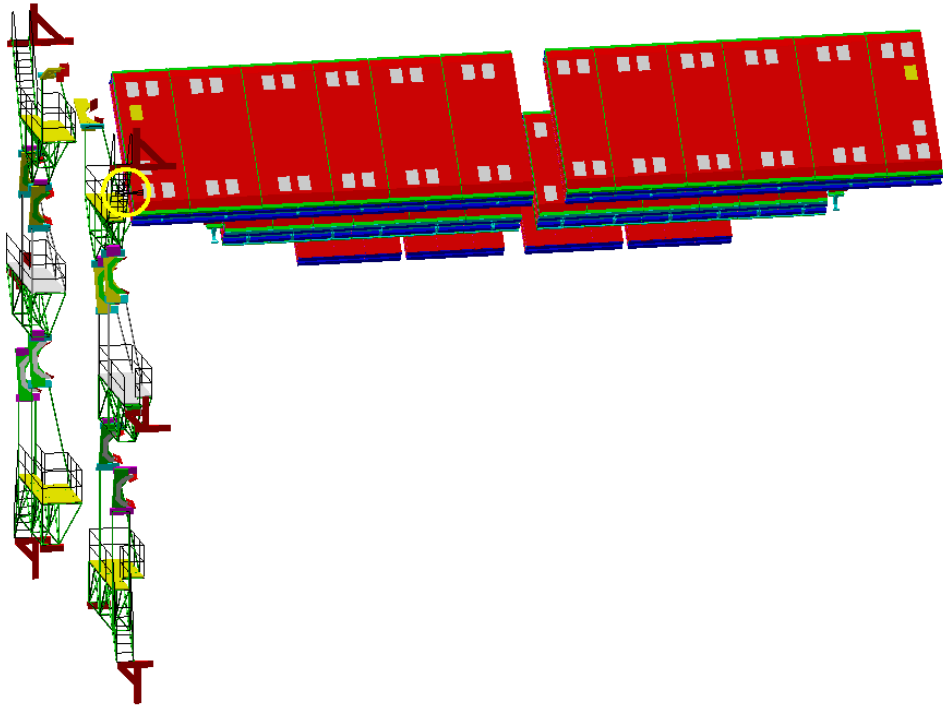
Clearance Computation Specification

Products Selected		Value	Status
AT602157MQ - MUON BARREL CHAMBERS DETAILED, SECTOR 7	NHX_0001 - SIMPLIFIED ACCESS PLATFORMS - END-CAP PART (SIDE A)	28.7	Not inspected
	AT602154MQ Sec.6 - MUON BARREL CHAMBERS DETAILED. SECTOR 6 *	Not defined	Not inspected
	AT602159MQ - MUON BARREL CHAMBERS DETAILED. SECTOR 8 *	Not defined	Not inspected
	NTB_0001 BT6 - TB STANDARD COIL - SECTOR 6	46.3	Not inspected
	NTB_0001 BT8 - TB STANDARD COIL - SECTOR 8	46.3	Not inspected

Computation Result:

* Unable to define the value of the clearance on my PC

AT602157MQ - MUON BARREL CHAMBERS DETAILED, SECTOR 7	NHX_0001 - SIMPLIFIED ACCESS PLATFORMS - END-CAP PART (SIDE A)	Clearance	28.7434	Not inspected
---	---	-----------	---------	---------------



SIDE A
Sector 3

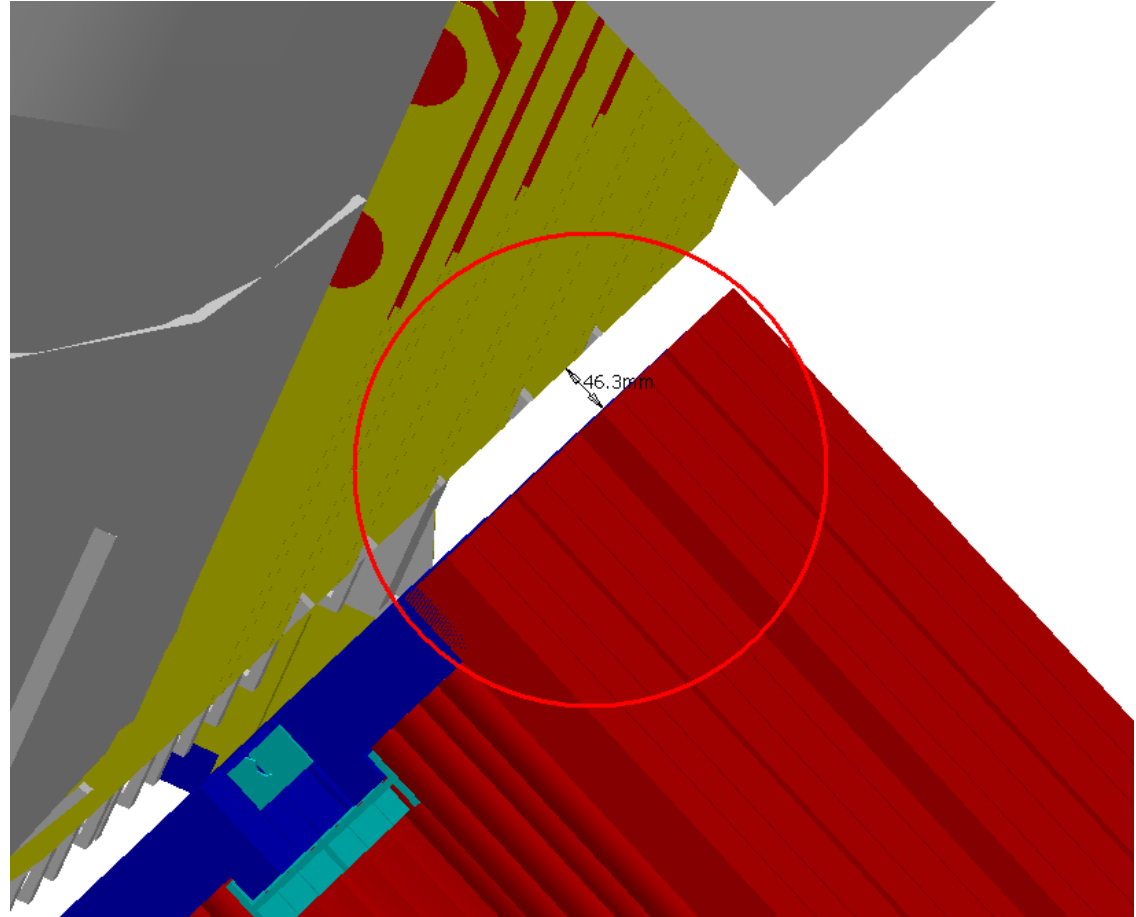
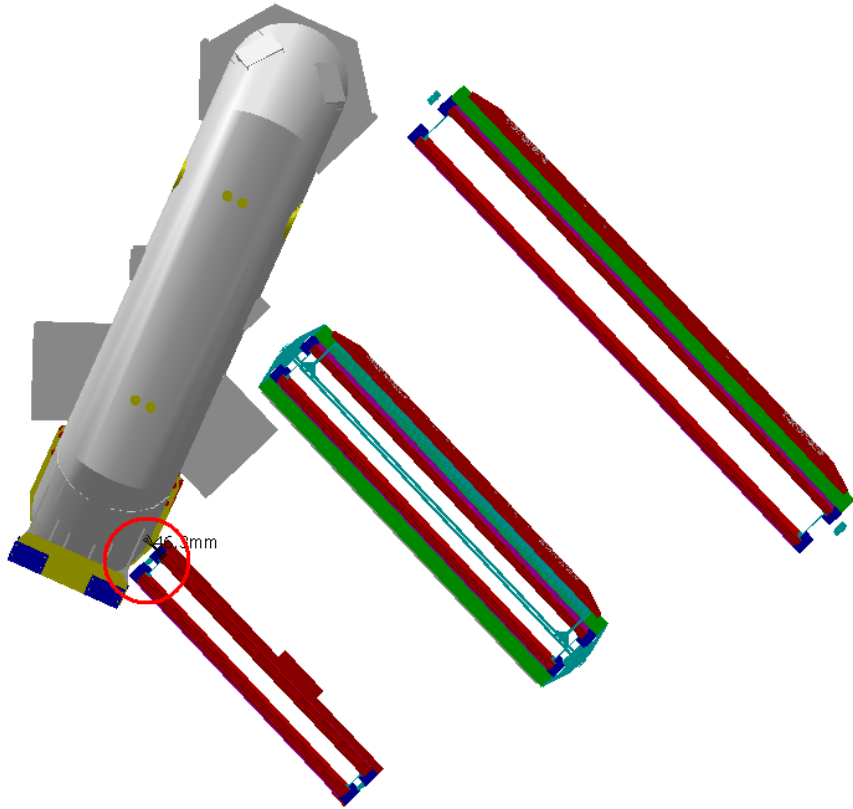
**AT602157MQ - MUON BARREL
CHAMBERS DETAILED, SECTOR 7**

NTB_0001 BT6 - TB STANDARD COIL - SECTOR 6

Clearance

46.2998

Not inspected



SIDE A-C

Sector 7

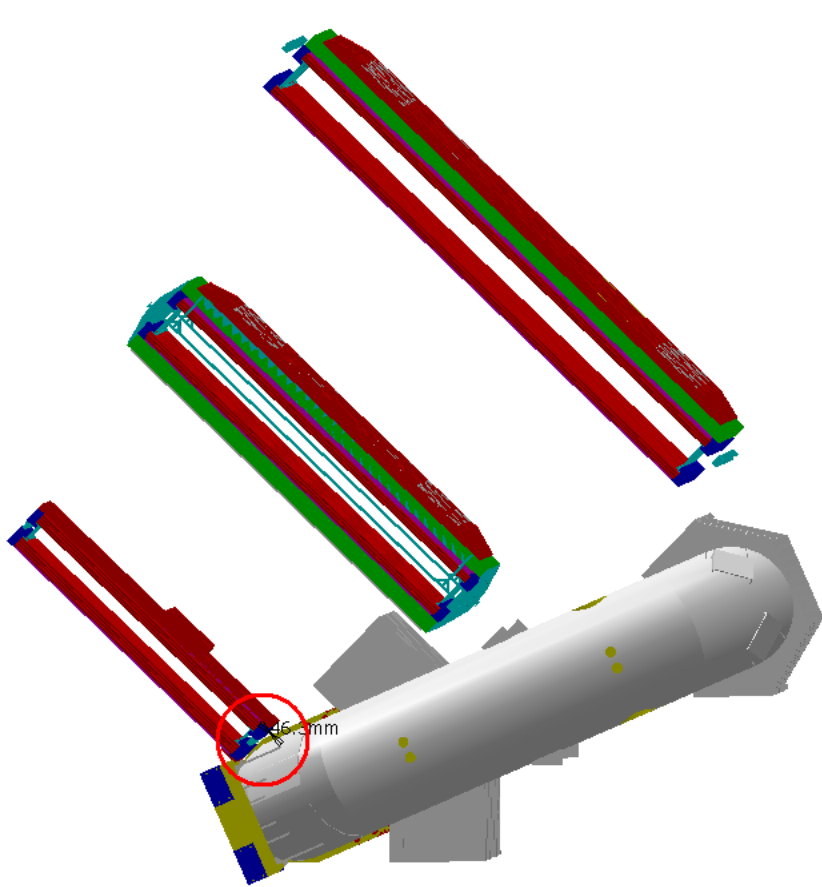
AT602157MQ - MUON BARREL
CHAMBERS DETAILED, SECTOR 7

NTB_0001 BT8 - TB STANDARD COIL - SECTOR 8

Clearance

46.2997

Not inspected



SIDE A-C

Sector 7

