

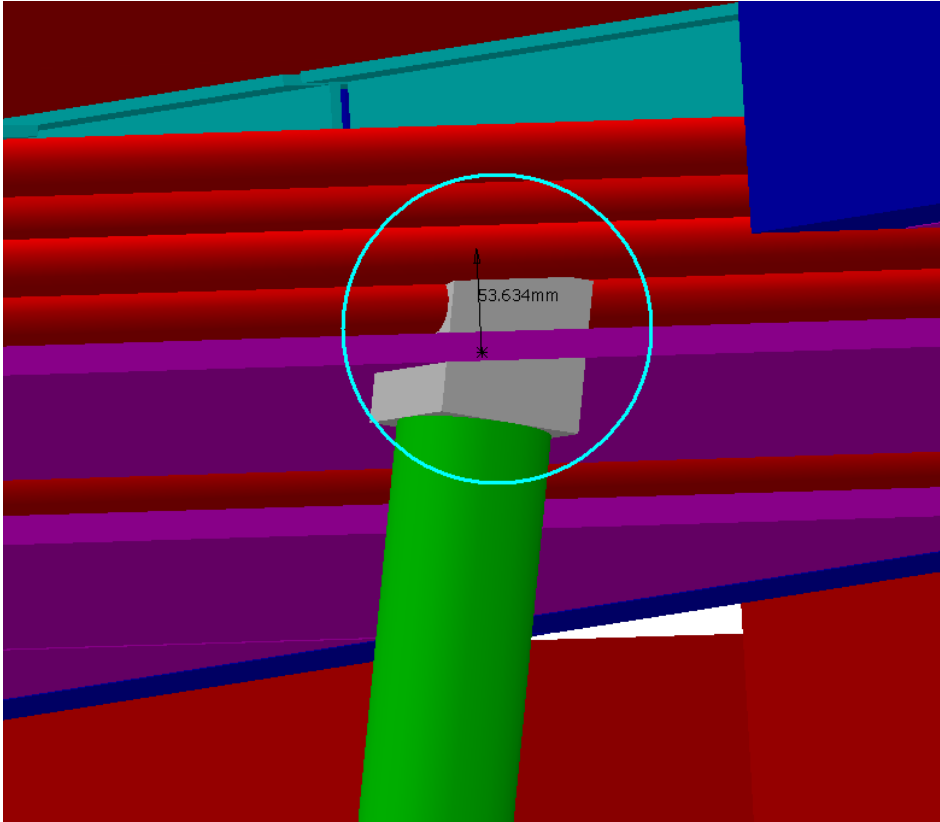
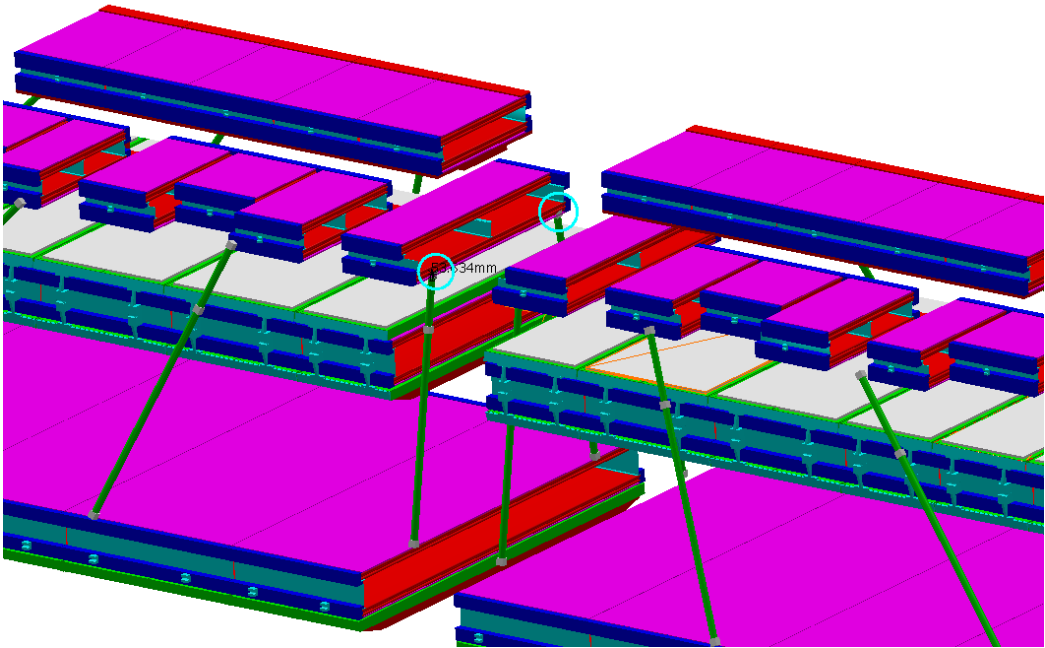


## Clash Publish

Clash Computation Specification			
Products Selected		Value	Status
AT602161MQ - MUON BARREL CHAMBERS DETAILED, SECTOR 11	NMA_0006 - BARREL PROJECTIVE ALIGNMENT. - SIMPLE 3-D MODEL. SECTOR 11	-53.6	Not inspected
	NMA_0015 - SECTOR 10 SIDE C (A) - REFERENCE ALIGNMENT SYSTEM AND	-73.8	Not inspected
	NMA_0016 - SECTOR 12 SIDE C (A) - REFERENCE ALIGNMENT SYSTEM AND	-87.8	Not inspected
	NTB_0002 - TB FEET COIL - SECTOR 12	-2.4	Not inspected

**Computation Result:**

AT602161MQ - MUON BARREL CHAMBERS DETAILED, SECTOR 11	NMA_0006 - BARREL PROJECTIVE ALIGNMENT. - SIMPLE 3-D MODEL. SECTOR 11	Clash	-53.6336	Not inspected
---	---	-------	----------	---------------

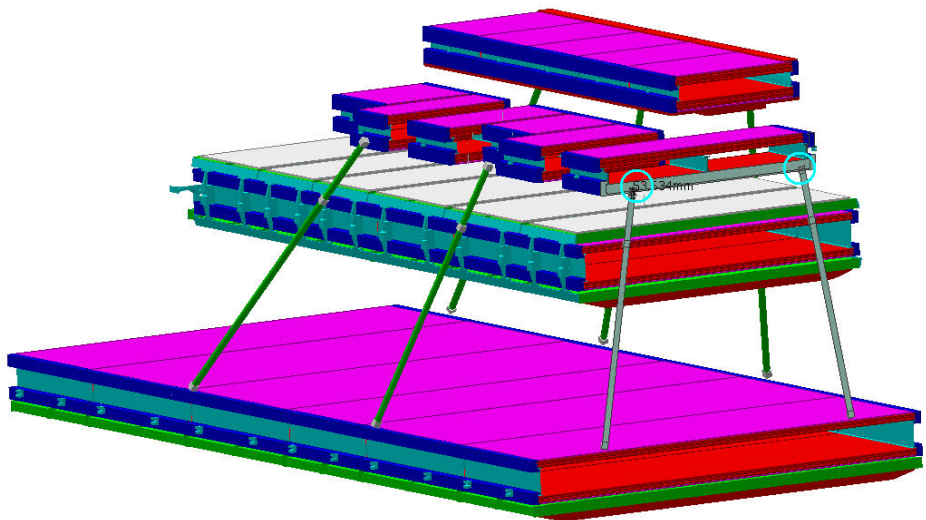


Clash value: ~ 53.6 mm

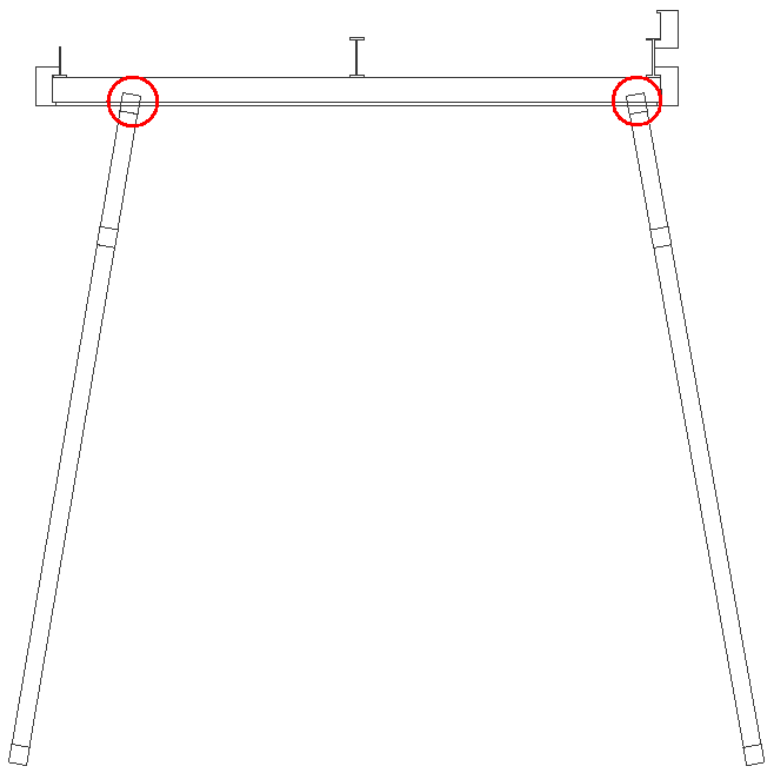
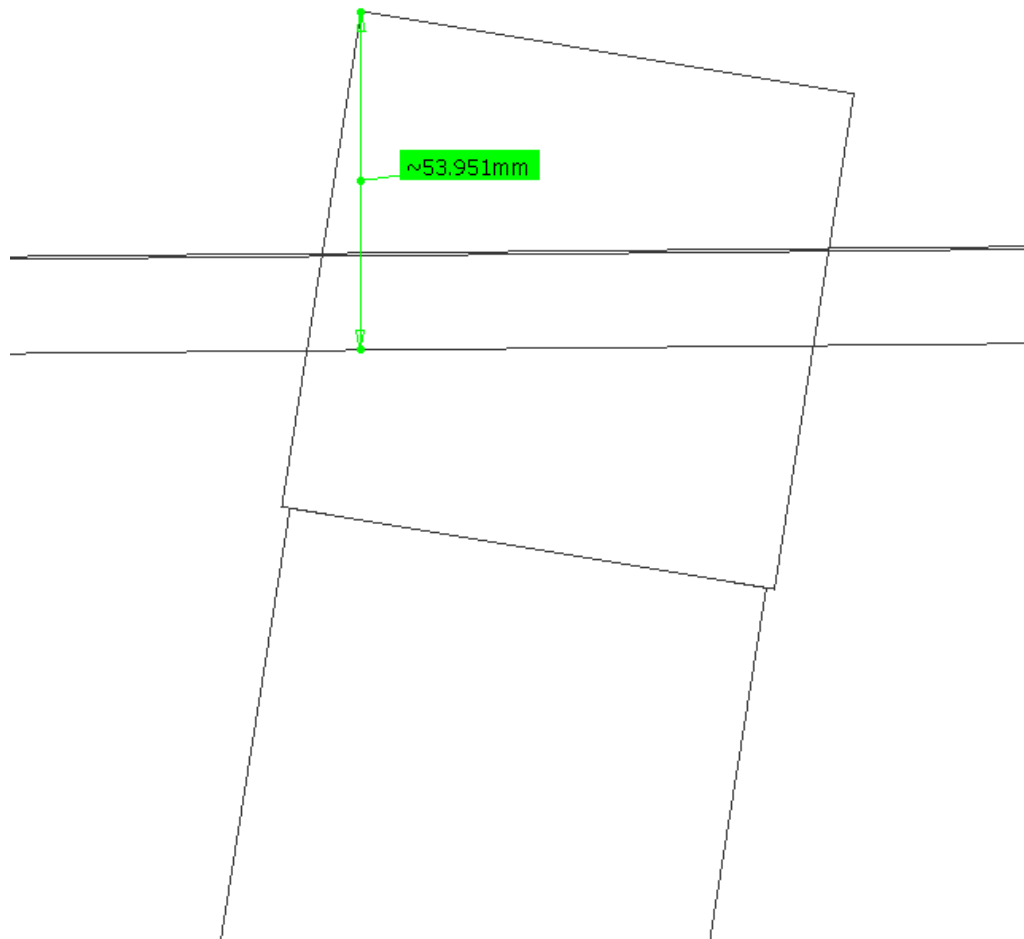
SIDE A-C

Sector 11

The identical 2 clashes exist on the opposite side



# Clash View:



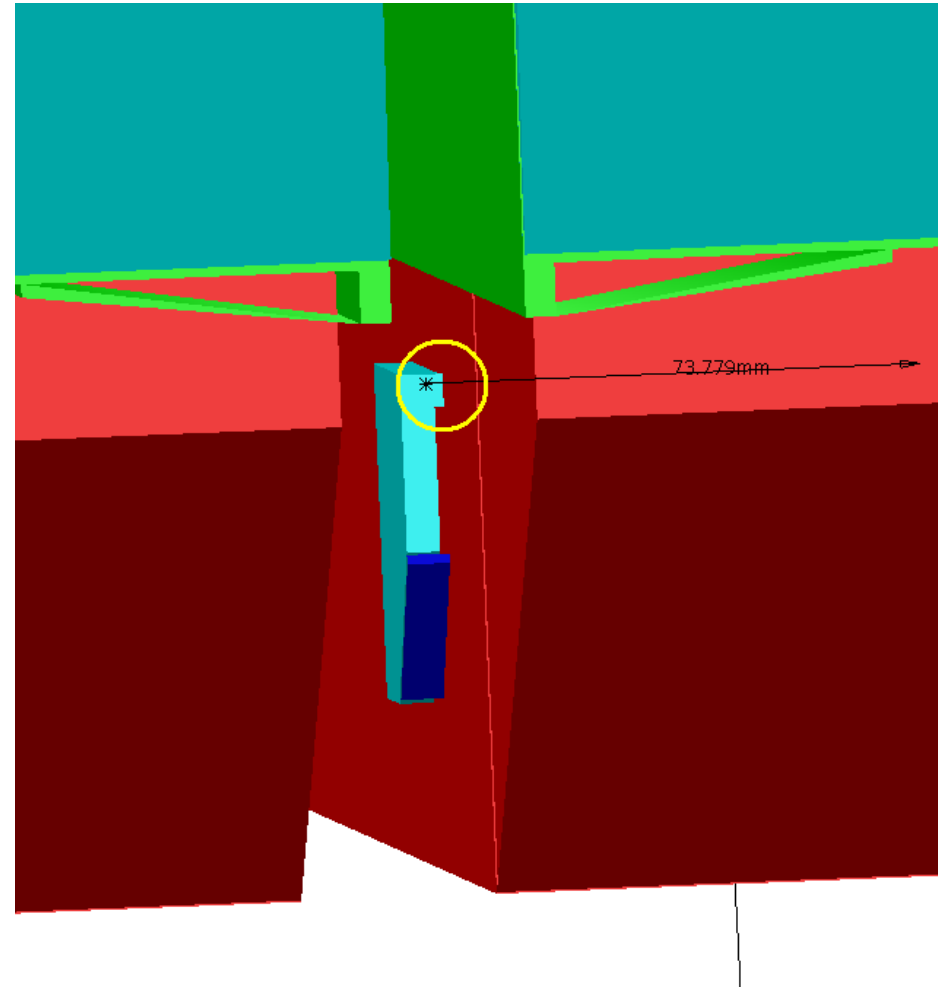
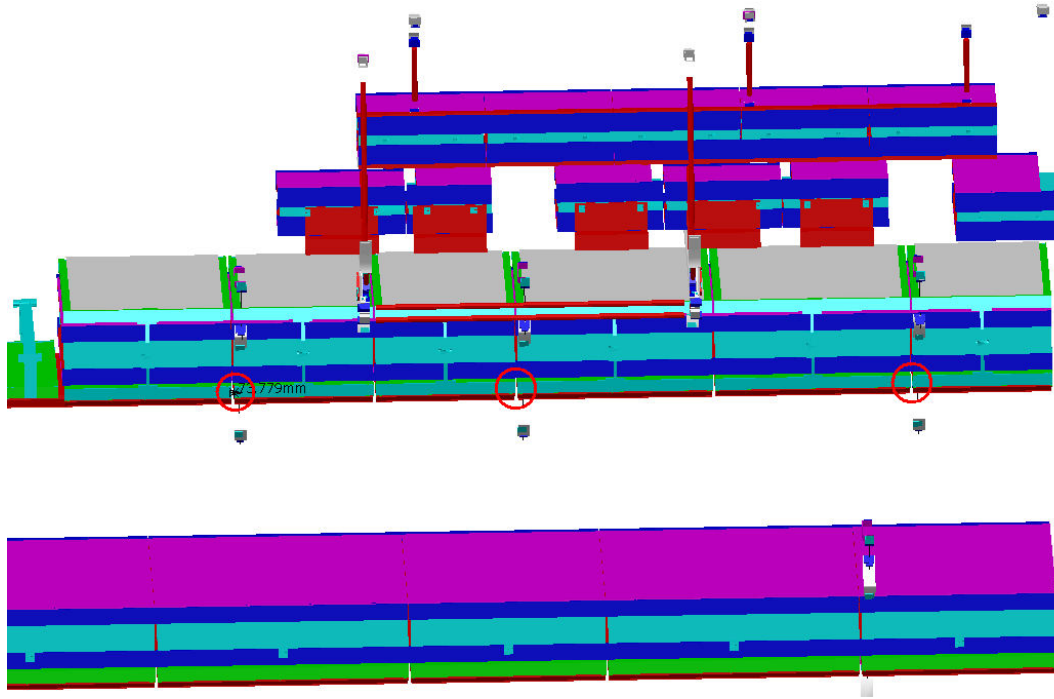
AT602161MQ - MUON BARREL  
CHAMBERS DETAILED, SECTOR 11

NMA\_0015 - SECTOR 10 SIDE C (A) - REFERENCE  
ALIGNMENT SYSTEM AND

Clash

-73.7794

Not inspected

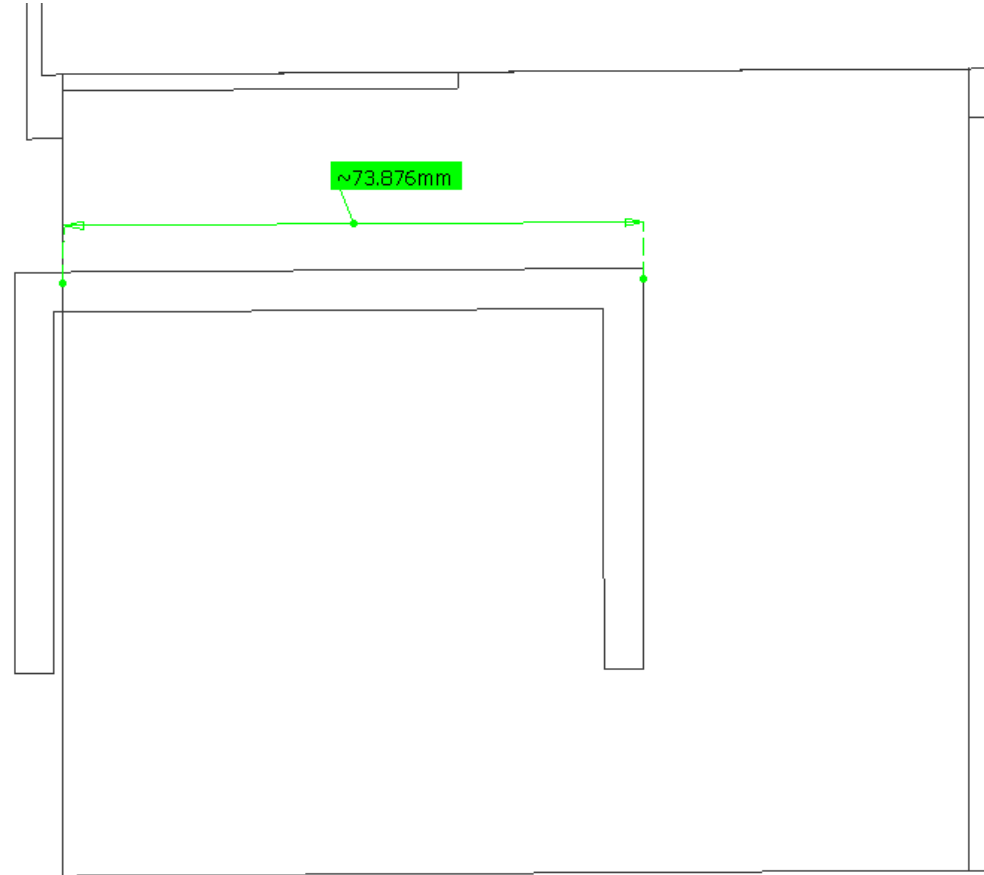
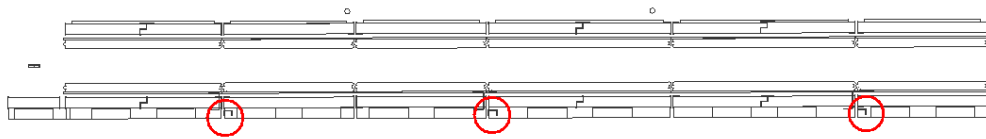
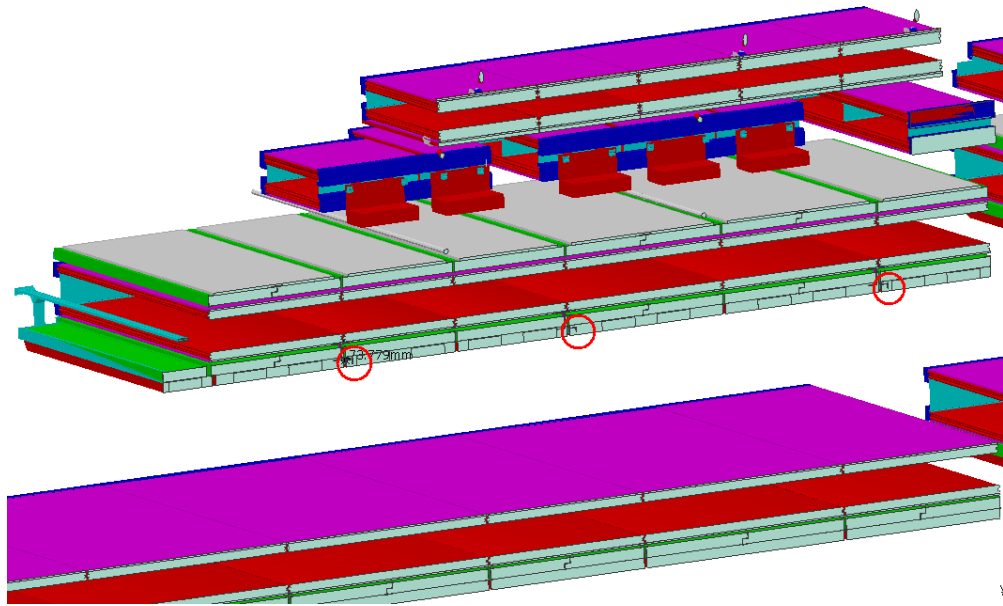


Clash value: ~ 73.8 mm

SIDE C

Sector 11

# Clash View:



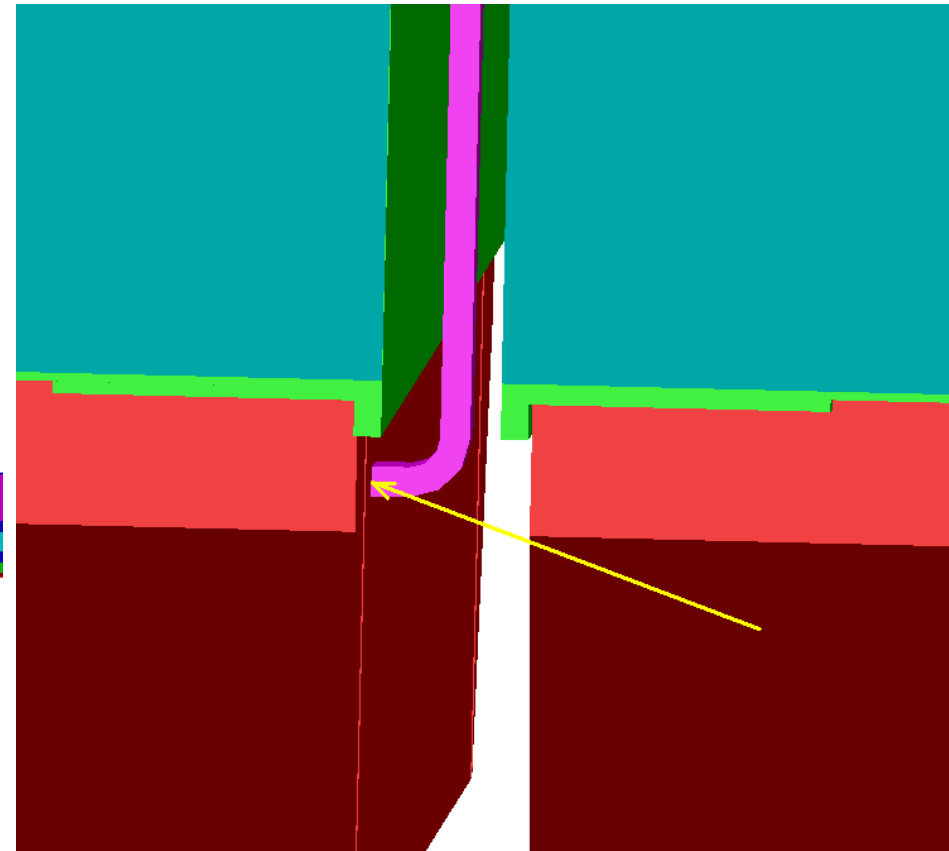
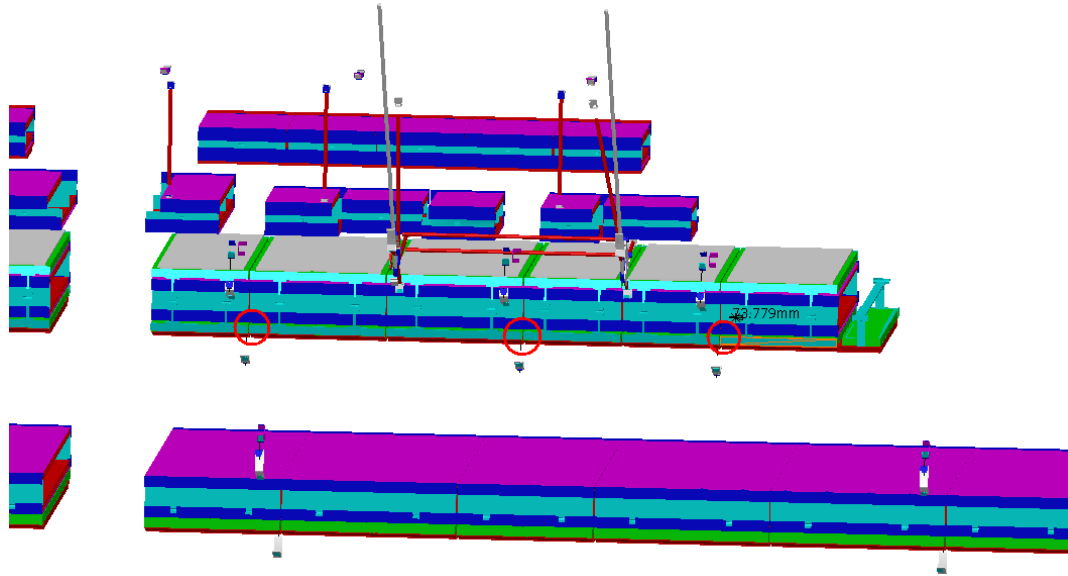
AT602161MQ - MUON BARREL  
CHAMBERS DETAILED, SECTOR 11

NMA\_0016 - SECTOR 12 SIDE C (A) - REFERENCE  
ALIGNMENT SYSTEM AND

Clash

-87.7741

Not inspected

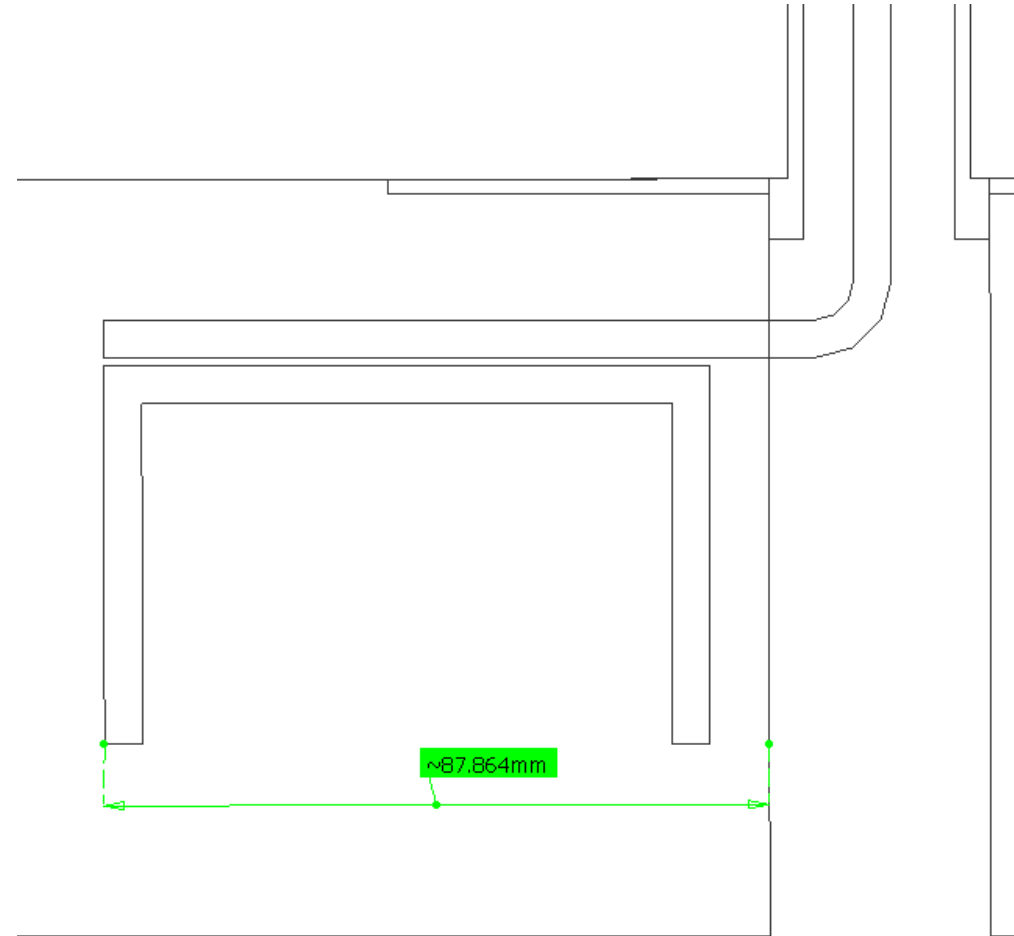
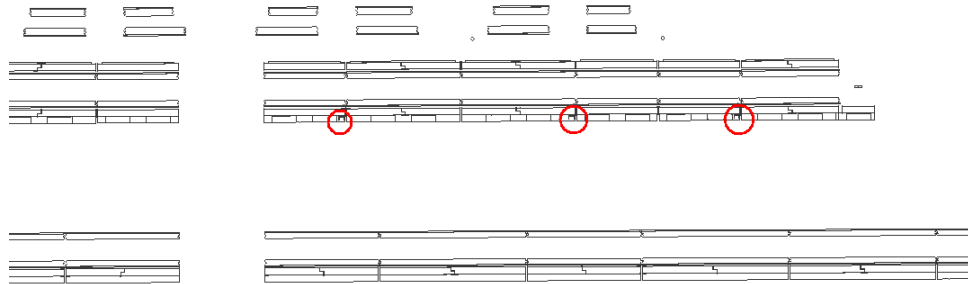
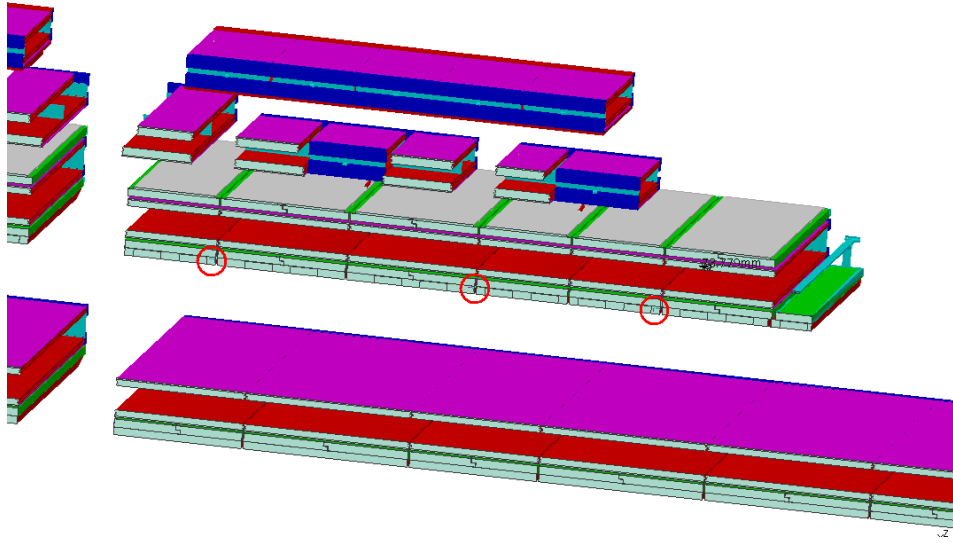


Clash value: ~ 87.8 mm

SIDE C

Sector 11

# Clash View:



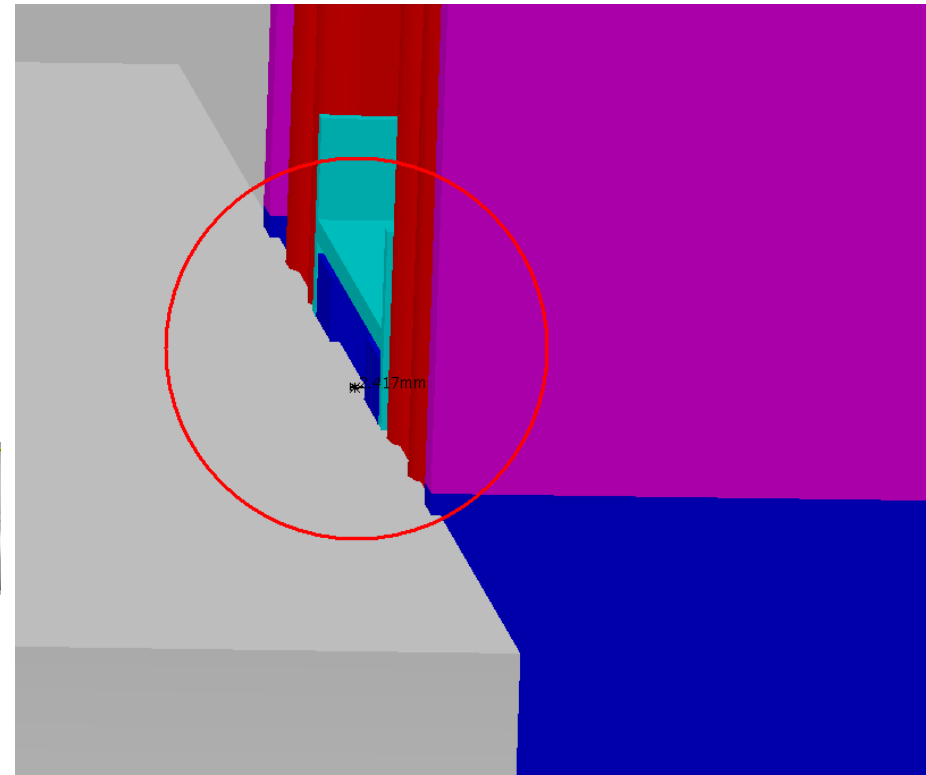
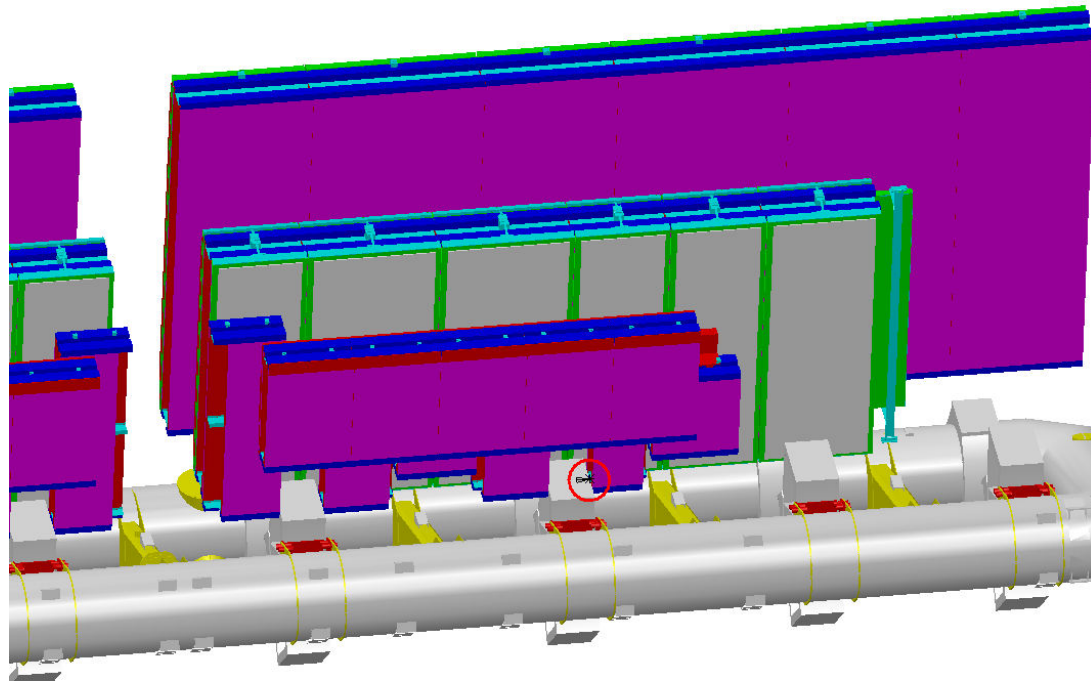
AT602161MQ - MUON BARREL  
CHAMBERS DETAILED, SECTOR 11

NTB\_0002 - TB FEET COIL - SECTOR 12

Clash

-2.4171

Not inspected



Clash value: ~ 2.4 mm

SIDE A-C

Sector 11

The identical clash exists on the other side



# Clash View:

