

# Clearance Publish

Clearance = 50mm



## Clearance Computation Specification

Products Selected		Value	Status
<b>AT602160MQ</b> - MUON BARREL CHAMBERS DETAILED, SECTOR 9	<b>ZHB_000</b> - HB GLOBAL ENVELOPE - AND LOCATION OF INTERFACES *	Not defined	Not inspected
	<b>NH_0005</b> - HB BARREL RAIL SYSTEM - SIMPLIFIED 3-D OBJECT *	Not defined	Not inspected
	<b>VHB_0001</b> - CENTRAL PAIR OF FEET B - DETAILED MODEL FOR STANDARDS	41.2	Not inspected
	<b>VHB_0002</b> - STANDARD PAIR OF FEET A1 (C1) - DETAILED MODEL FOR STANDARDS	41.2	Not inspected

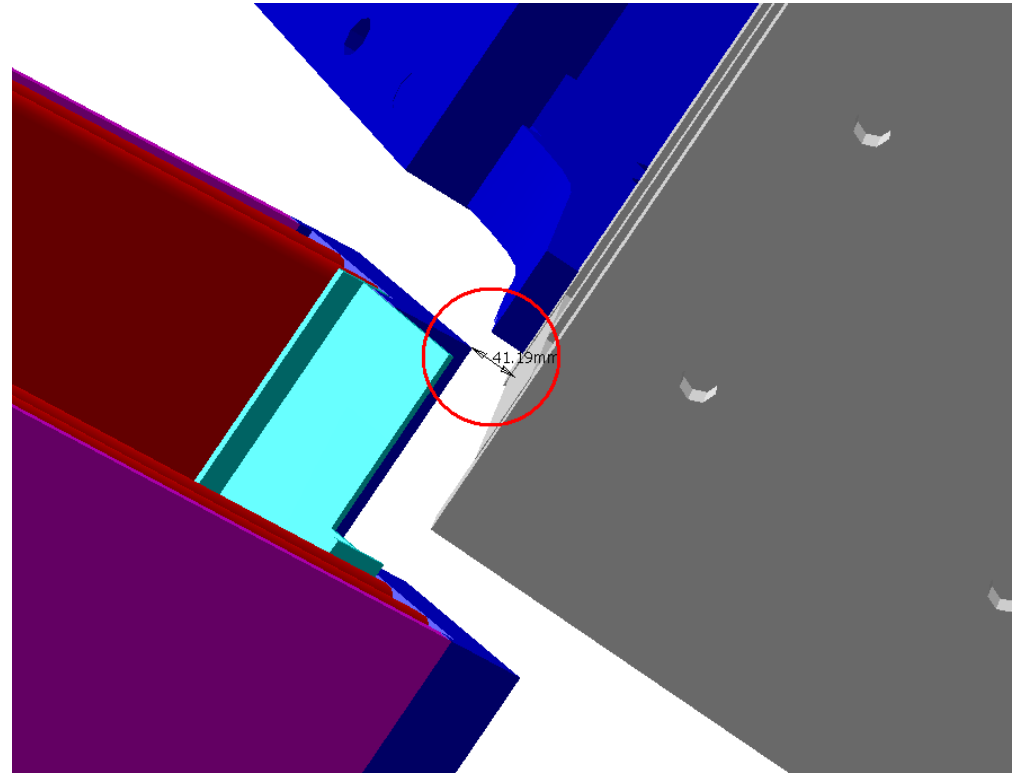
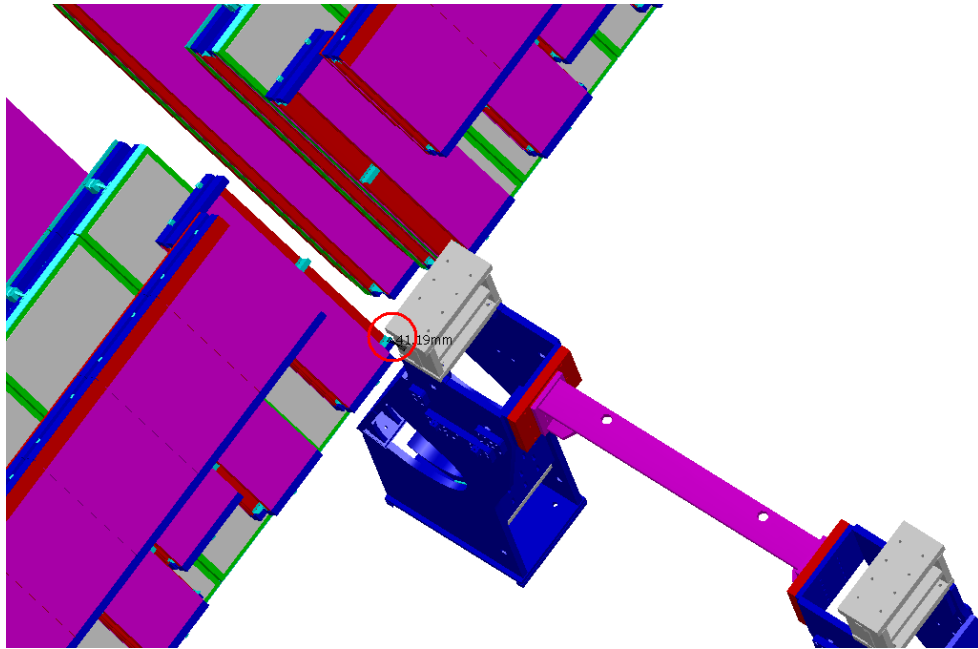
## Clearance Computation Specification

Products Selected		Value	Status
<b>AT602160MQ - MUON BARREL CHAMBERS DETAILED, SECTOR 9</b>	<b>VHB_0003</b> - STANDARD PAIR OF FEET A2 (C2) - DETAILED MODEL FOR STANDARDS	34.3	Not inspected
	<b>ATCVHB_0002 M</b> - STANDARD PAIR OF FEET A1 (C1) - DETAILED MODEL FOR STANDARDS	41.2	Not inspected
	<b>ATCVHB_0003 M</b> - STANDARD PAIR OF FEET A2 (C2) - DETAILED MODEL FOR STANDARDS	34.3	Not inspected
	<b>AT602168MQ</b> - MUON BARREL CHAMBERS DETAILED, SECTOR 10 *	Not defined	Not inspected
	<b>NTB_0003</b> - TB WARM STRUCTURE - SIMPLIFIED 3-D OBJECT	22.5	Not inspected
	<b>NTB_0005</b> - TB WARM STRUCTURE - RING OF THE VOUSOIRS, STRUTS	1.5	Not inspected

### Computation Result:

\* Unable to define value of the clearance on my PC

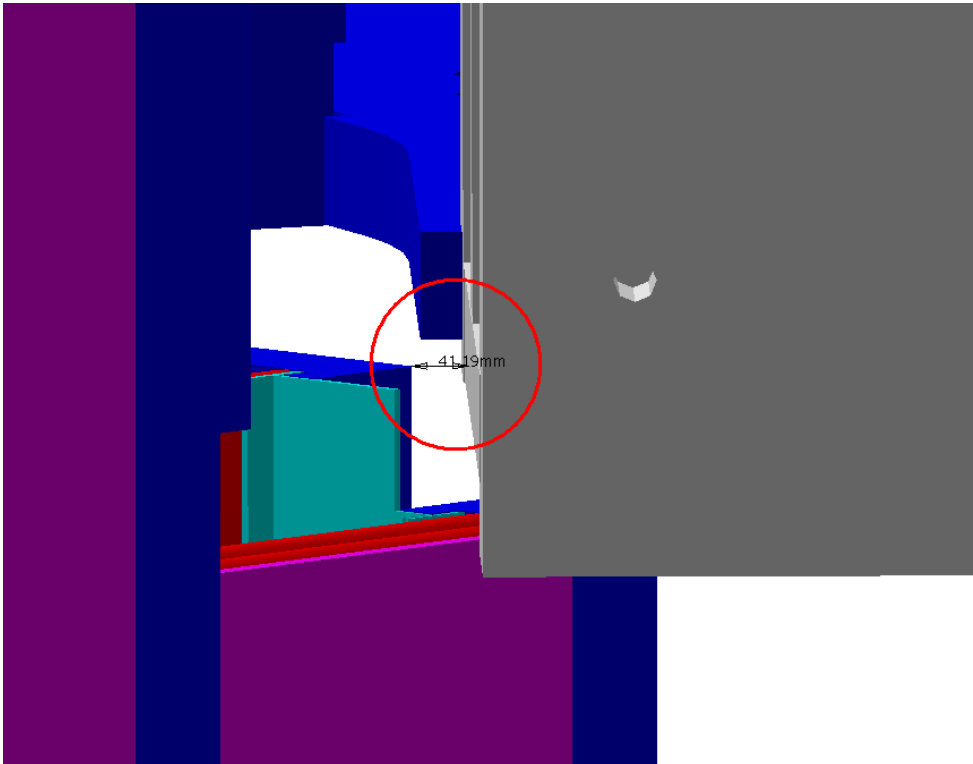
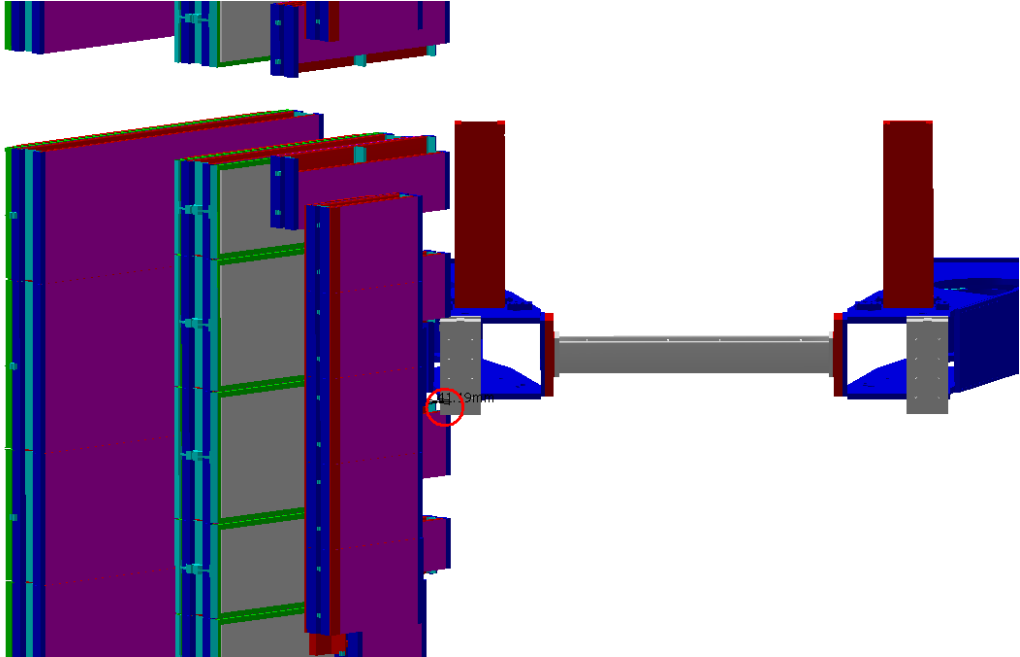
<b>AT602161MQ - MUON BARREL CHAMBERS DETAILED, SECTOR 11</b>	<b>VHB_0001- CENTRAL PAIR OF FEET B - DETAILED MODEL FOR STANDARDS</b>	Clearance	41.1899			Not inspected
			$\Delta X \approx 41.2$	$\Delta Y \approx 0$	$\Delta Z \approx 0$	



SIDE A-C

Sector 11

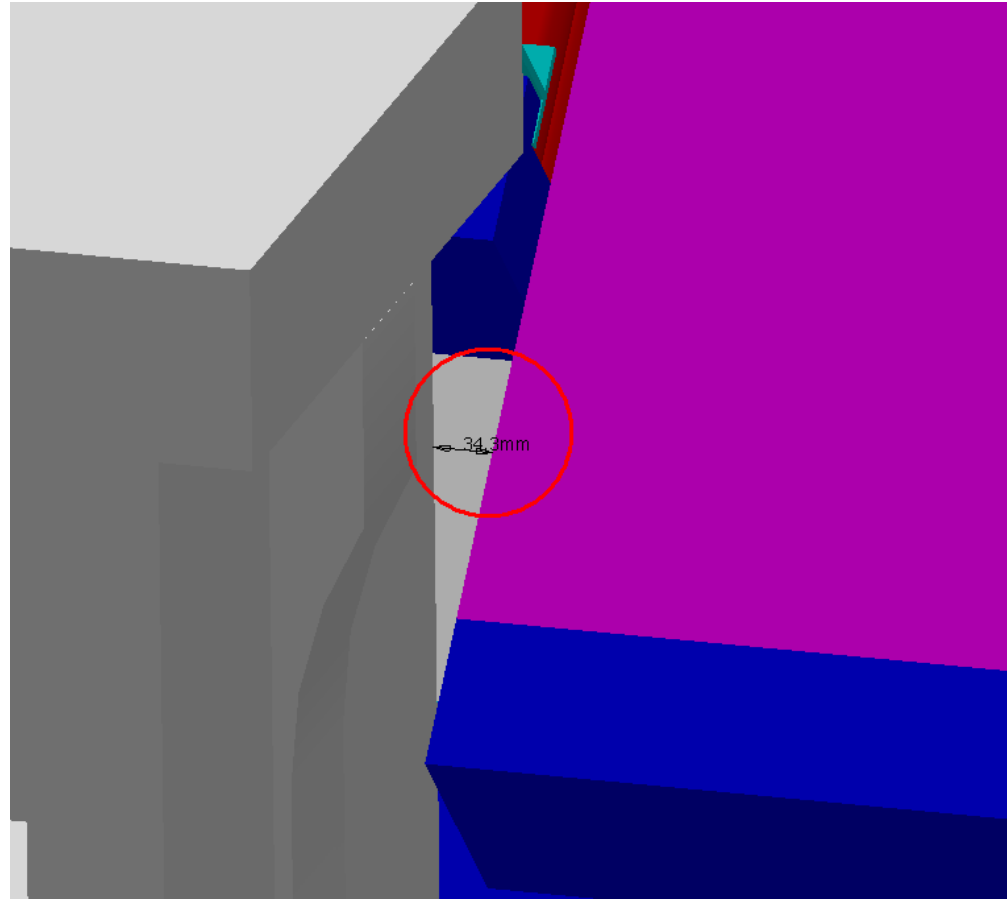
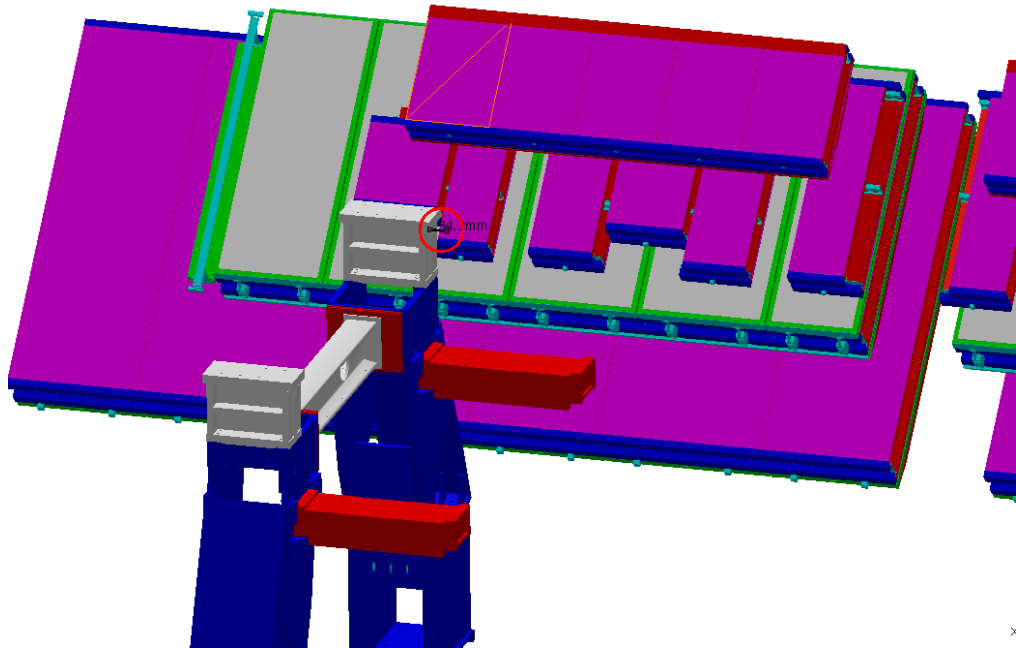
<b>AT602161MQ - MUON BARREL CHAMBERS DETAILED, SECTOR 11</b>	<b>VHB_0002 - STANDARD PAIR OF FEET A1 (C1) - DETAILED MODEL FOR STANDARDS</b>	Clearance	41.1899			Not inspected
			$\Delta X \approx 41.2$	$\Delta Y \approx 0$	$\Delta Z \approx 0$	



SIDE A

Sector 11

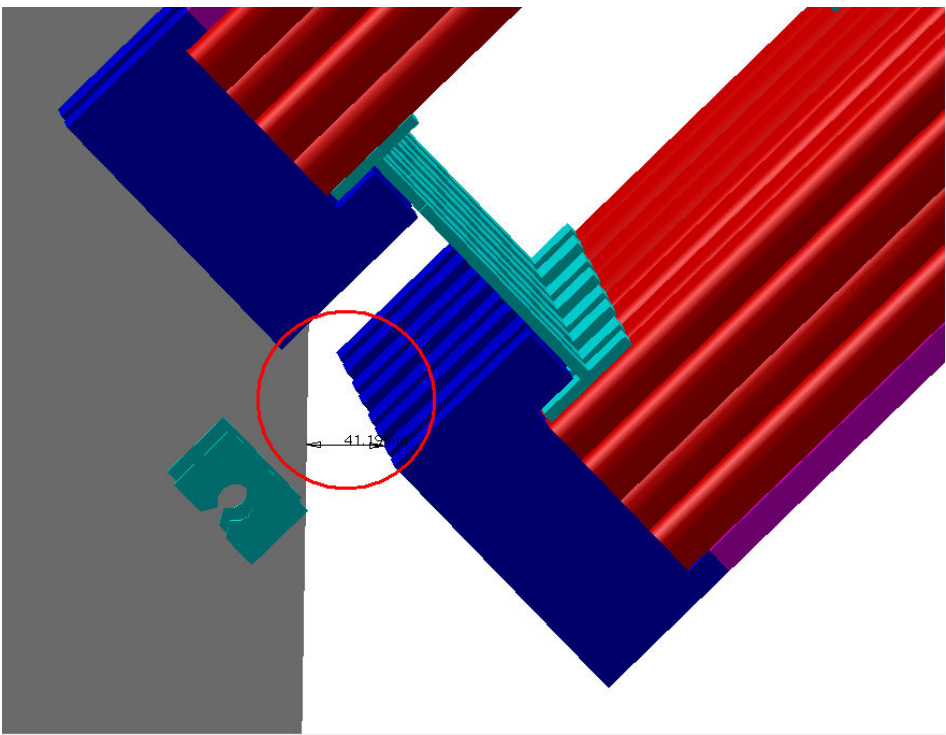
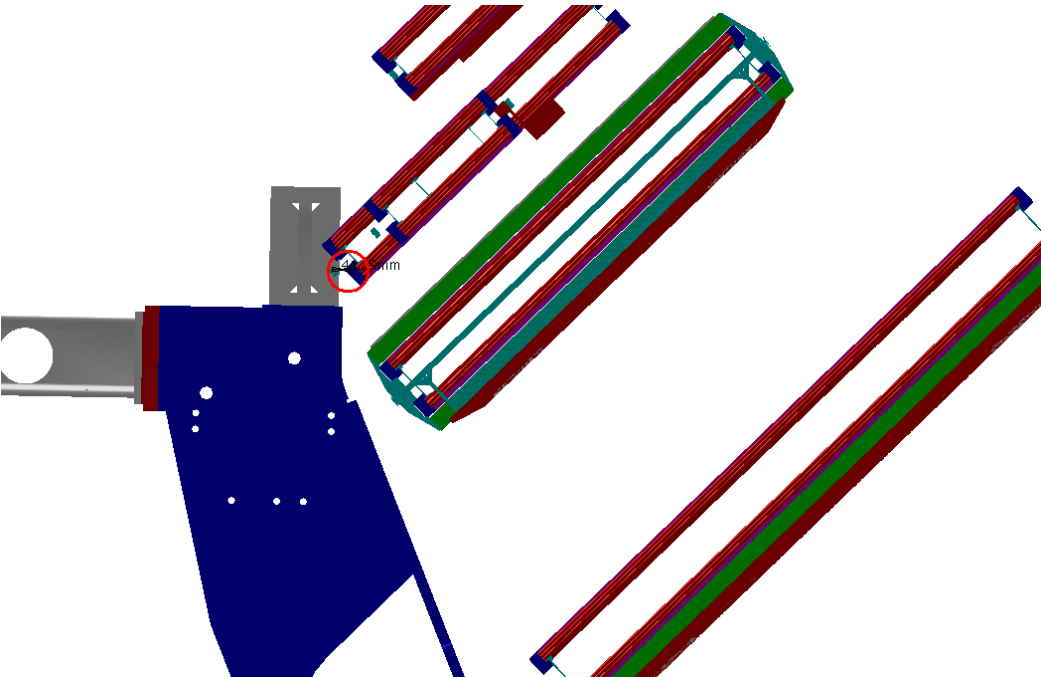
AT602161MQ - MUON BARREL CHAMBERS DETAILED, SECTOR 11	VHB_0003 - STANDARD PAIR OF FEET A2 (C2) - DETAILED MODEL FOR STANDARDS	Clearance	34.3			Not inspected
			$\Delta X \approx 0$	$\Delta Y \approx -34.2$	$\Delta Z \approx -0.4$	



SIDE A

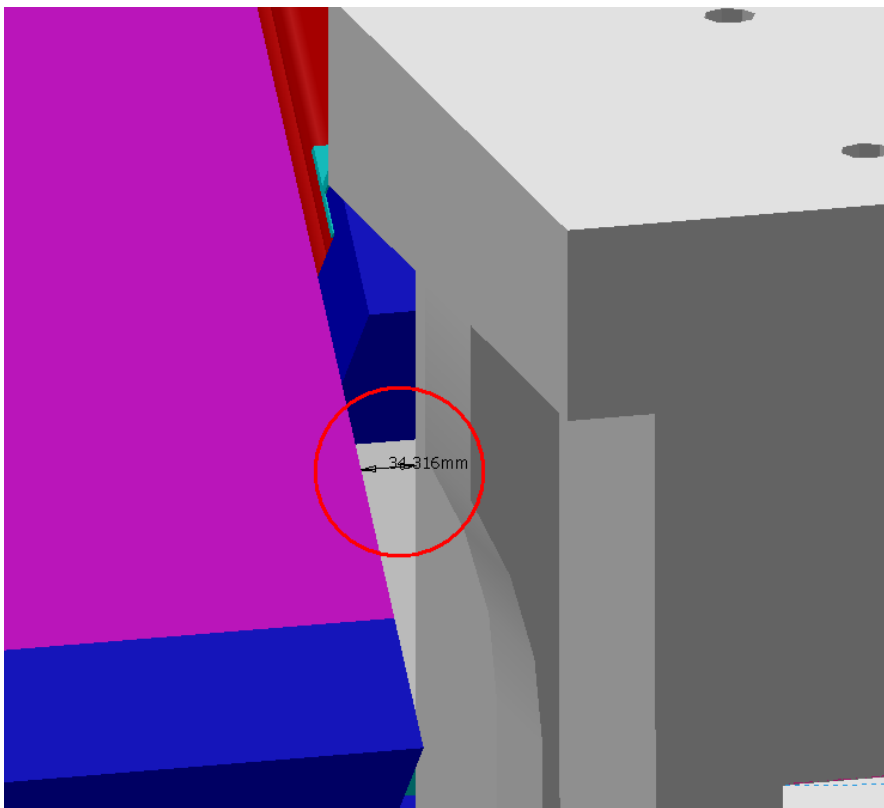
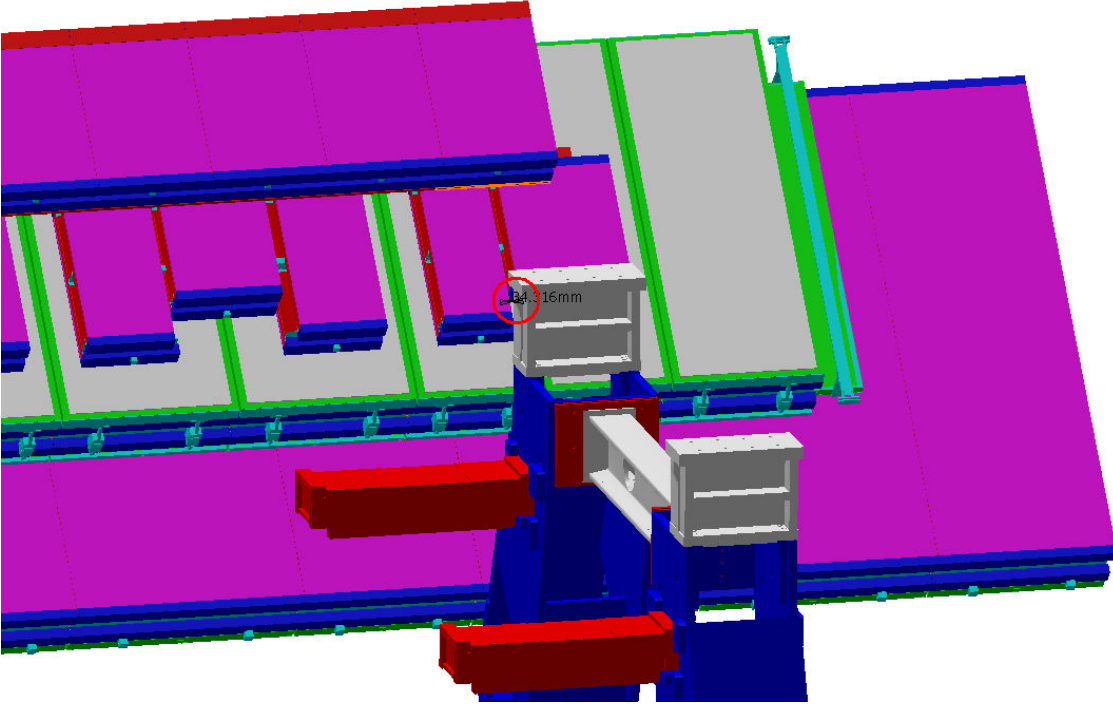
Sector 11

<b>AT602161MQ - MUON BARREL CHAMBERS DETAILED, SECTOR 11</b>	<b>ATCVHB_0002 M - STANDARD PAIR OF FEET A1 (C1) - DETAILED MODEL FOR STANDARDS</b>	Clearance	41.1899			Not inspected
			$\Delta X \approx 41.2$	$\Delta Y \approx 0$	$\Delta Z \approx 0$	



SIDE C  
Sector 11

<b>AT602161MQ - MUON BARREL CHAMBERS DETAILED, SECTOR 11</b>	<b>ATCVHB_0003 M - STANDARD PAIR OF FEET A2 (C2) - DETAILED MODEL FOR STANDARDS</b>	Clearance	34.3161			Not inspected
			$\Delta X \approx 0$	$\Delta Y \approx 34.3$	$\Delta Z \approx 0.5$	



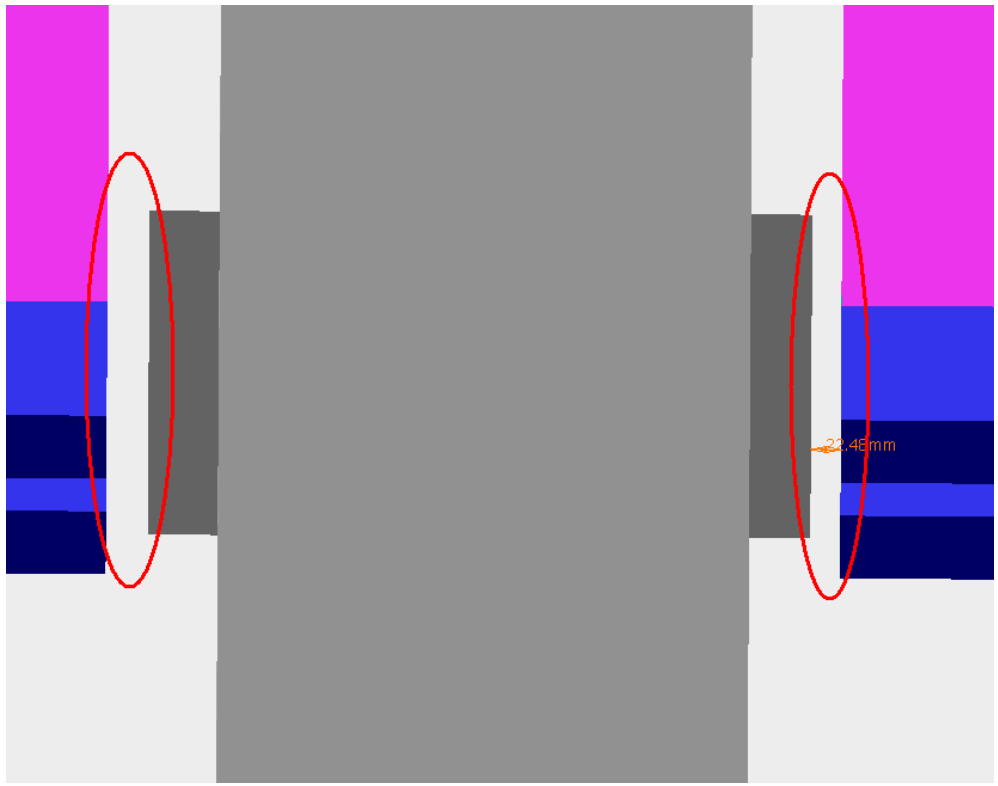
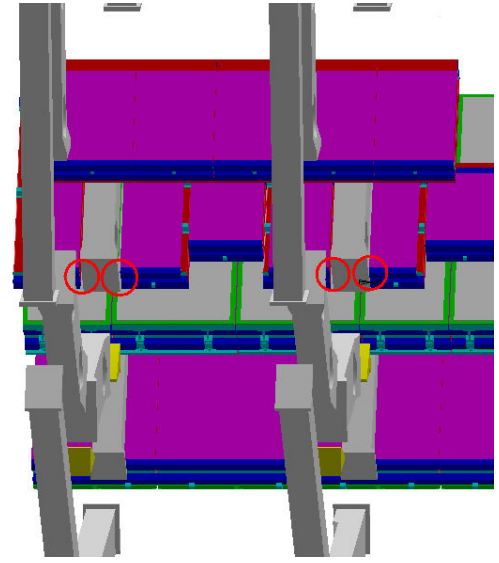
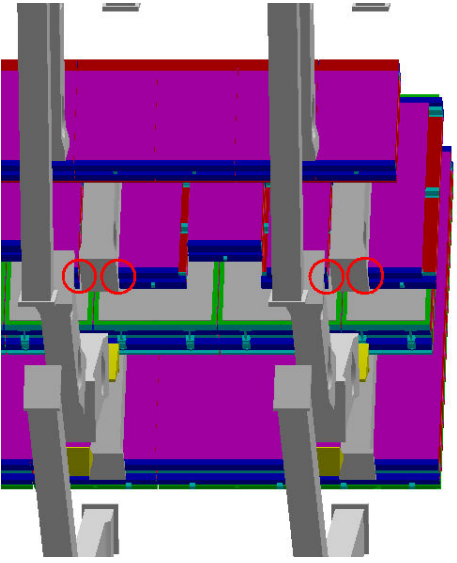
SIDE C

Sector 11

**AT602161MQ - MUON  
BARREL CHAMBERS  
DETAILED, SECTOR 11**

**NTB\_0003 - TB WARM STRUCTURE -  
SIMPLIFIED 3-D OBJECT**

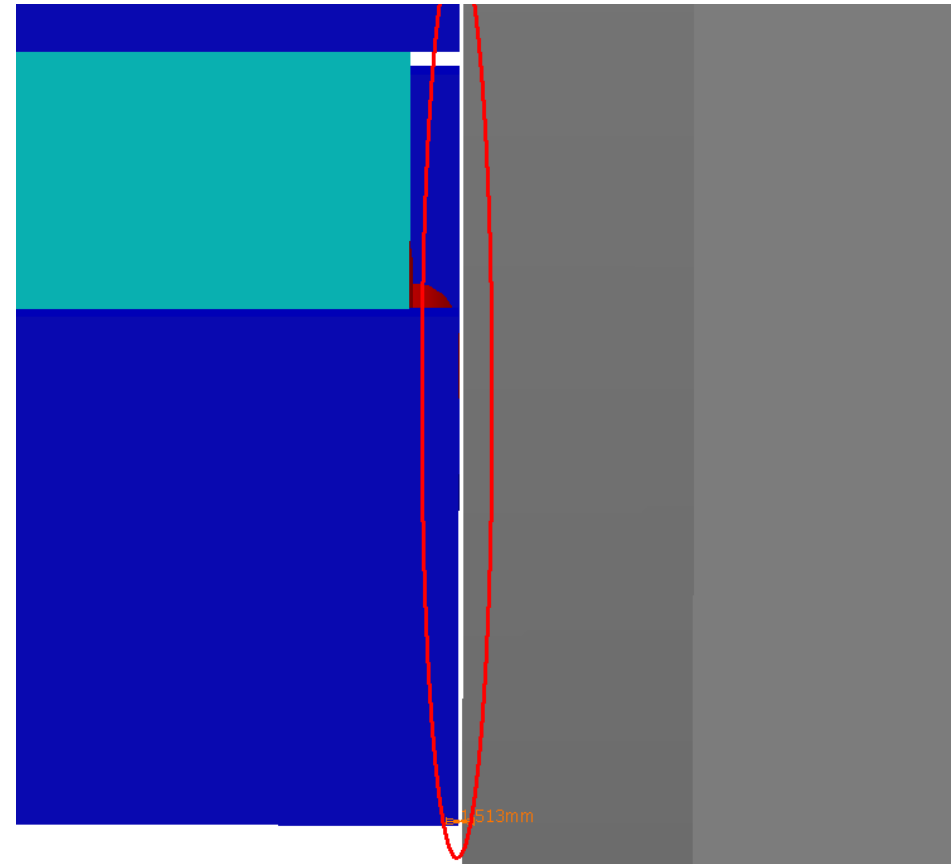
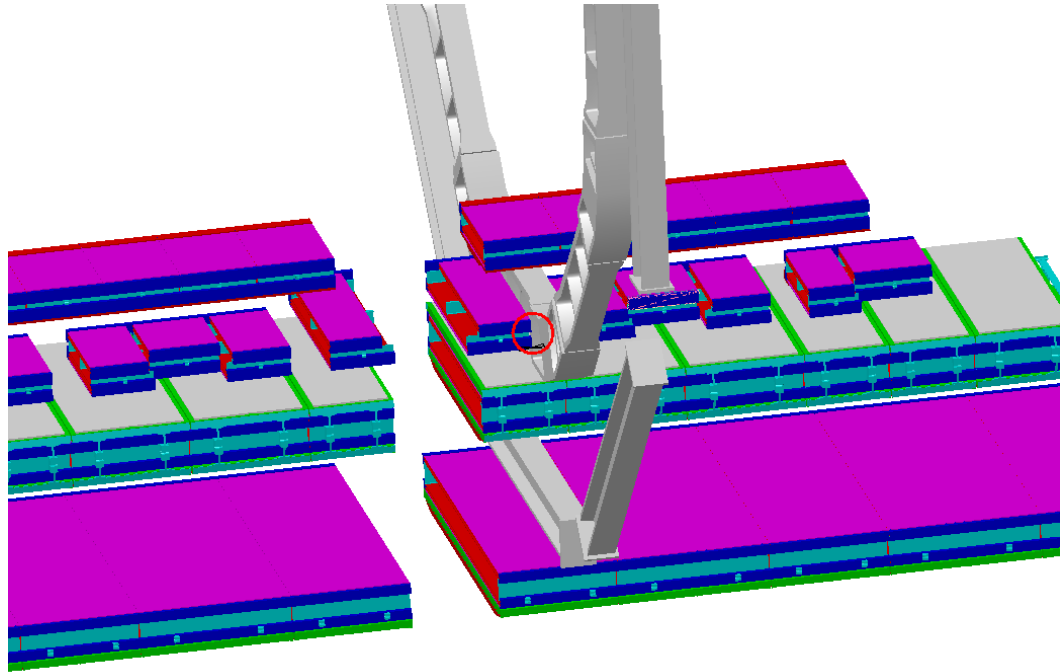
Clearance	22.4802			Not inspected
	$\Delta X \approx 0$	$\Delta Y \approx -22.5$	$\Delta Z \approx -0.3$	



SIDE A-C  
Sector 11



AT602161MQ - MUON BARREL CHAMBERS DETAILED, SECTOR 11	NTB_0005 - TB WARM STRUCTURE - RING OF THE VOUSSOIRS, STRUTS	Clearance	1.5134			Not inspected
			$\Delta X \approx 0$	$\Delta Y \approx 1.5$	$\Delta Z \approx 0$	



SIDE C

Sector 11