



Clash Publish

Clash Computation Specification			
Products Selected		Value	Status
AT602167MQ - MUON BARREL CHAMBERS DETAILED, SECTOR 15	NMA_0008 - BARREL PROJECTIVE ALIGNMENT. - SIMPLE 3-D MODEL. SECTOR 15	-53.6mm	Not inspected
	NMA_0017 - SECTOR 14 SIDE C (A) - REFERENCE ALIGNMENT SYSTEM AND	-73.7mm	Not inspected
	NMA_0018 - SECTOR 16 SIDE C (A) - REFERENCE ALIGNMENT SYSTEM AND	-87.7mm	Not inspected
	NTB_0007 - TB FEET COIL - SECTOR 14	-2.4mm	Warning

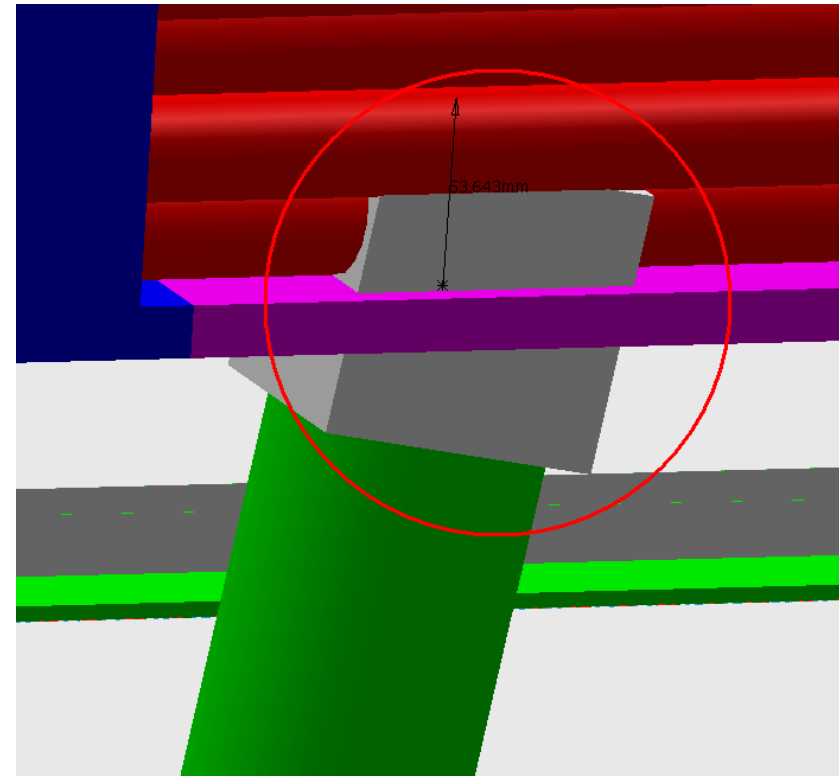
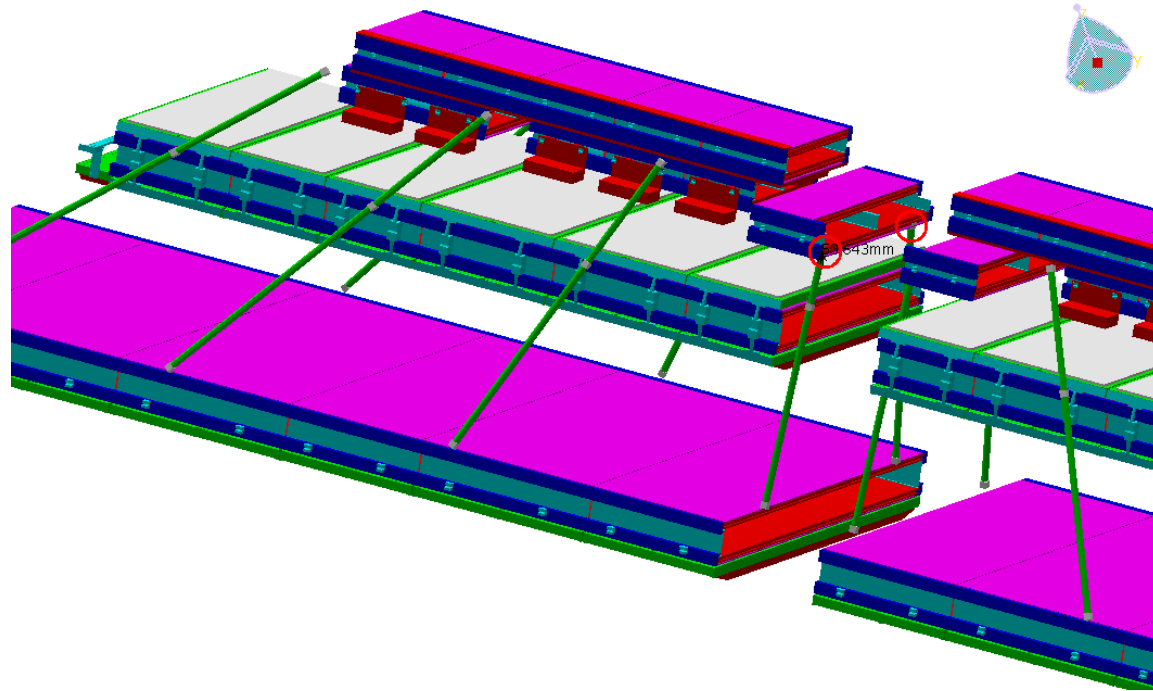
AT602167MQ - MUON BARREL
CHAMBERS DETAILED, SECTOR 15

NMA_0008 - BARREL PROJECTIVE ALIGNMENT.
- SIMPLE 3-D MODEL. SECTOR 15

Clash

-53.6 mm

Not inspected



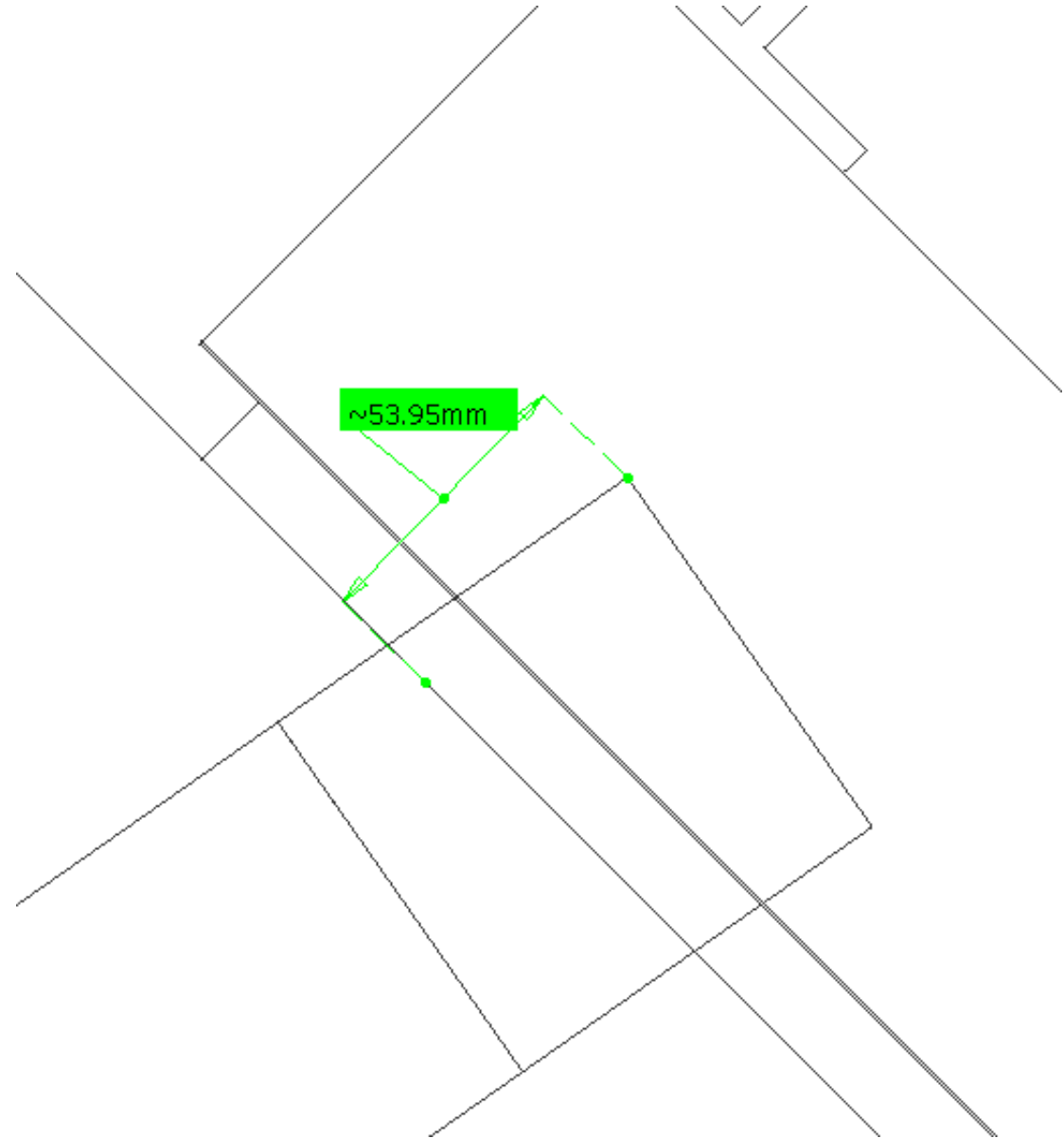
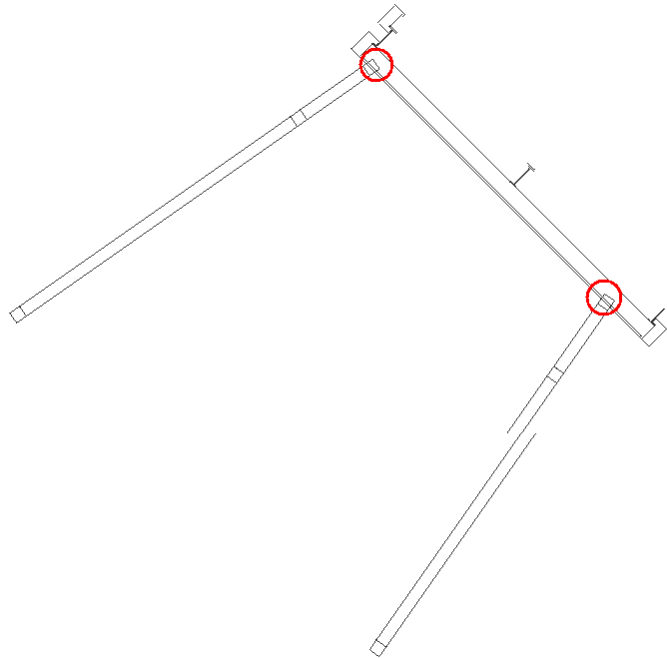
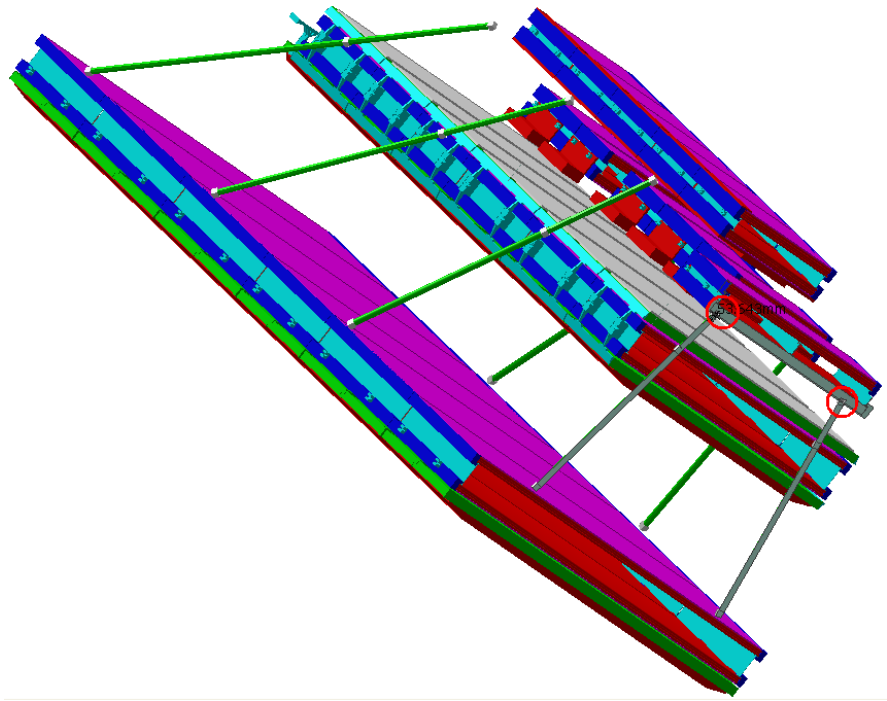
Clash value: ~ 53.6 mm

SIDE A-C

Sector 15

The identical clashes exist on the opposite side

Clash View:



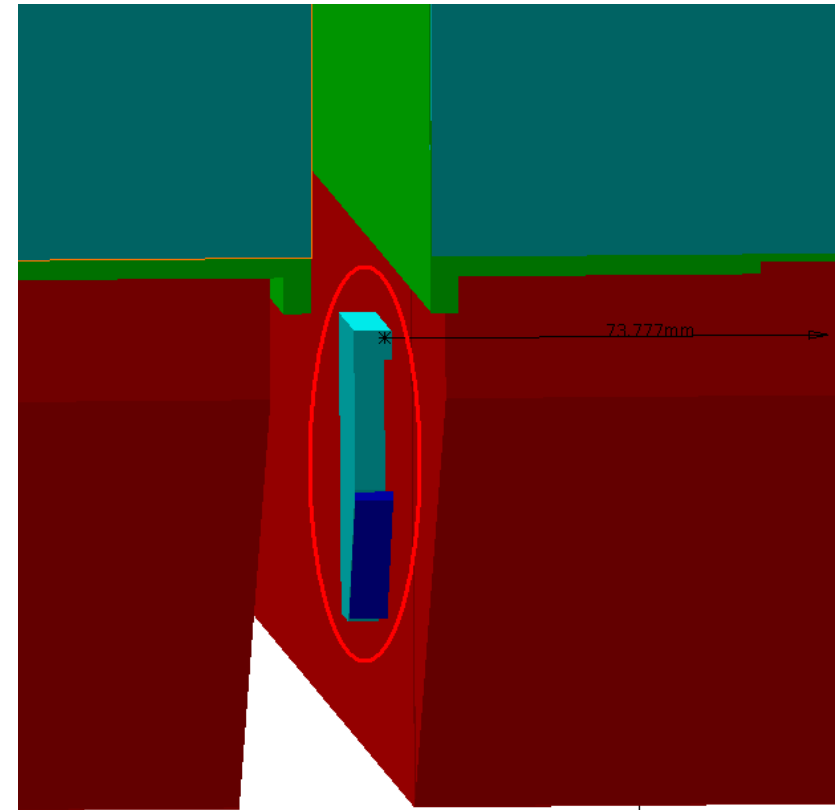
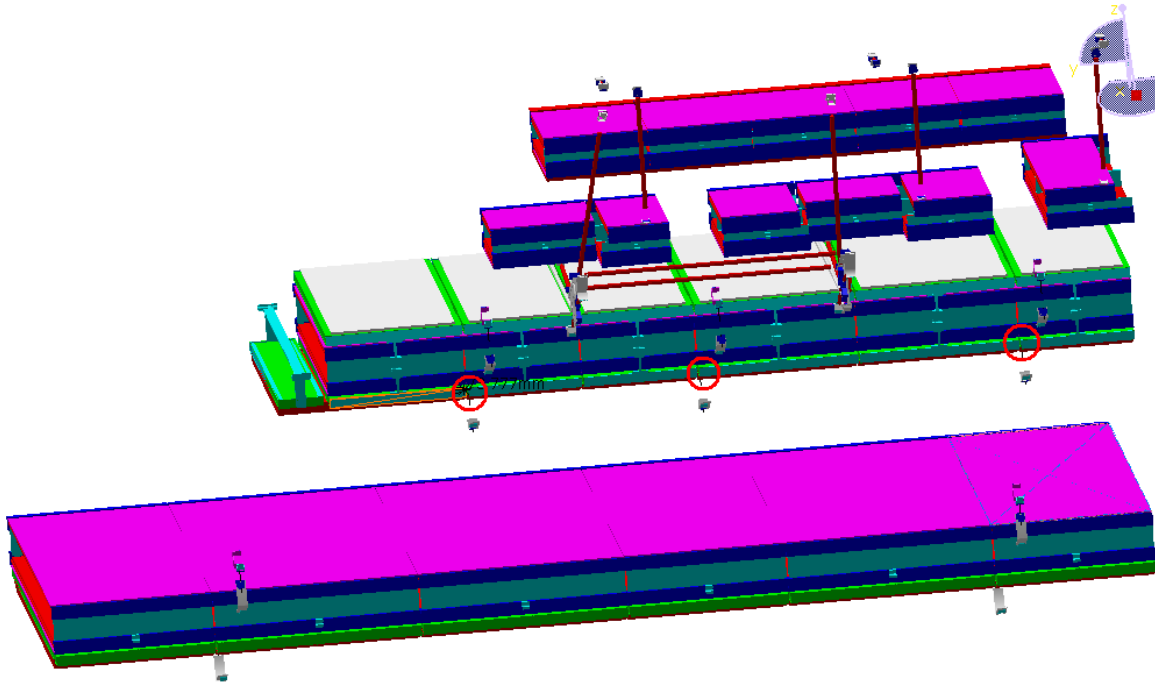
AT602167MQ - MUON BARREL
CHAMBERS DETAILED, SECTOR 15

NMA_0017 - SECTOR 14 SIDE C (A) - REFERENCE
ALIGNMENT SYSTEM AND

Clash

-73.7 mm

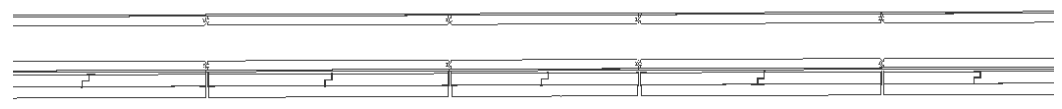
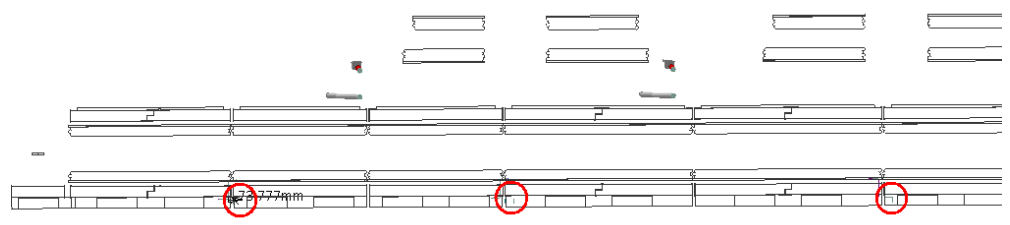
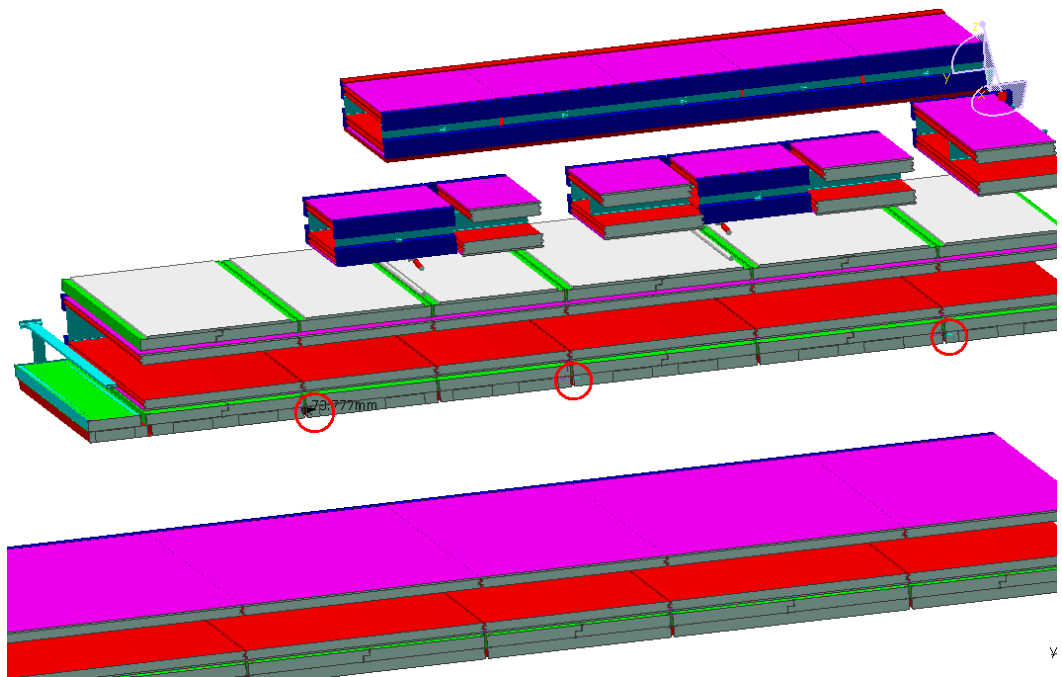
Not inspected



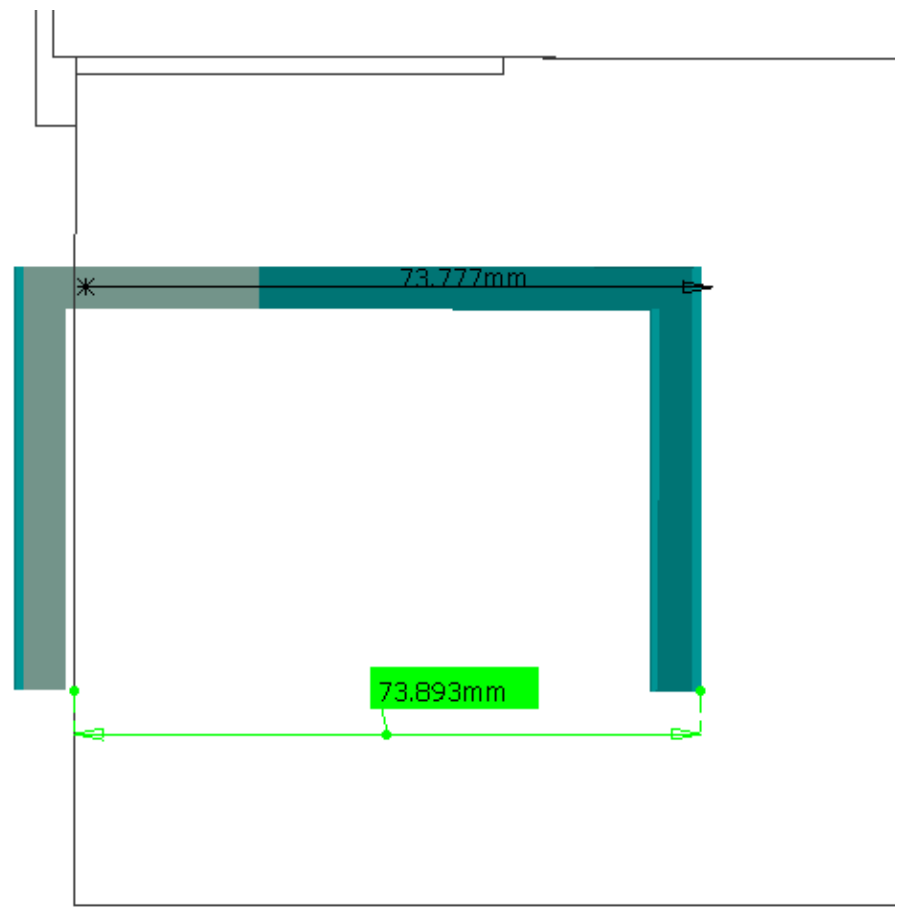
Clash value: ~ 73.7 mm

SIDE C

Sector 15



Clash View:



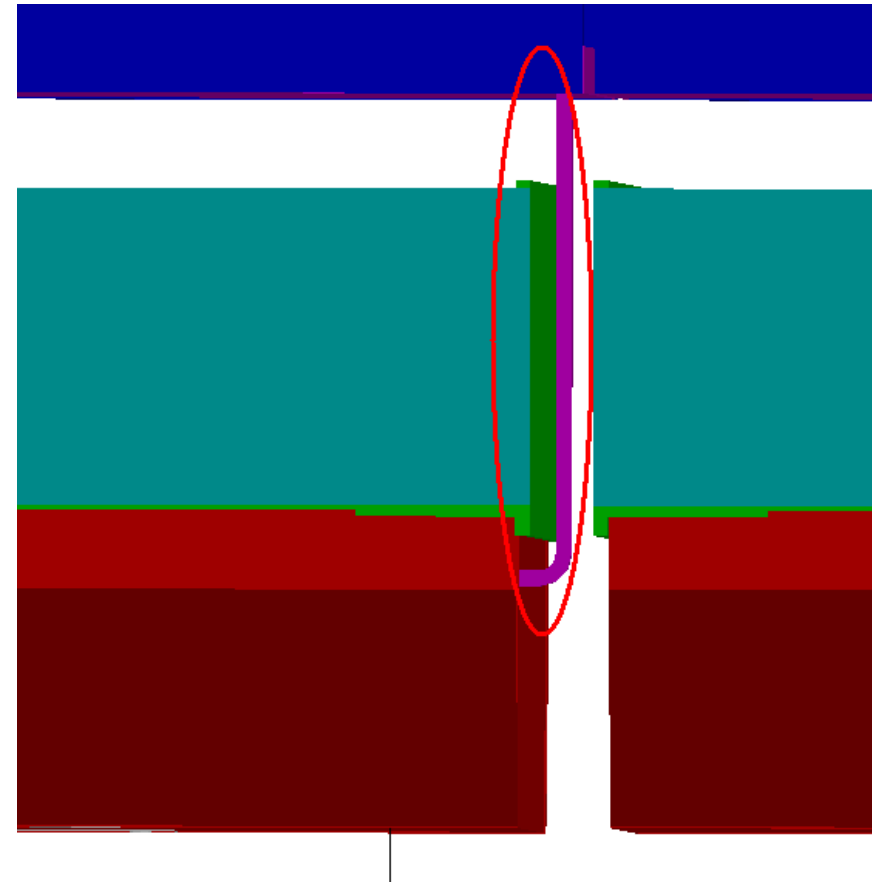
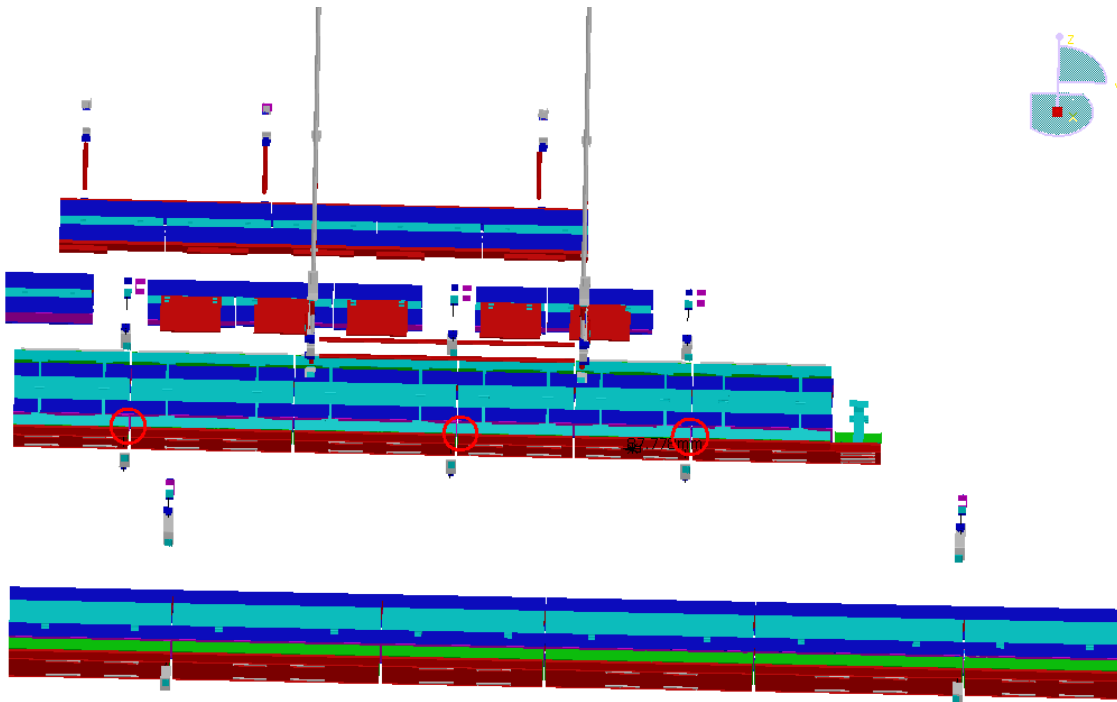
AT602167MQ - MUON BARREL
CHAMBERS DETAILED, SECTOR 15

NMA_0018 - SECTOR 16 SIDE C (A) - REFERENCE
ALIGNMENT SYSTEM AND

Clash

-87.7 mm

Not inspected

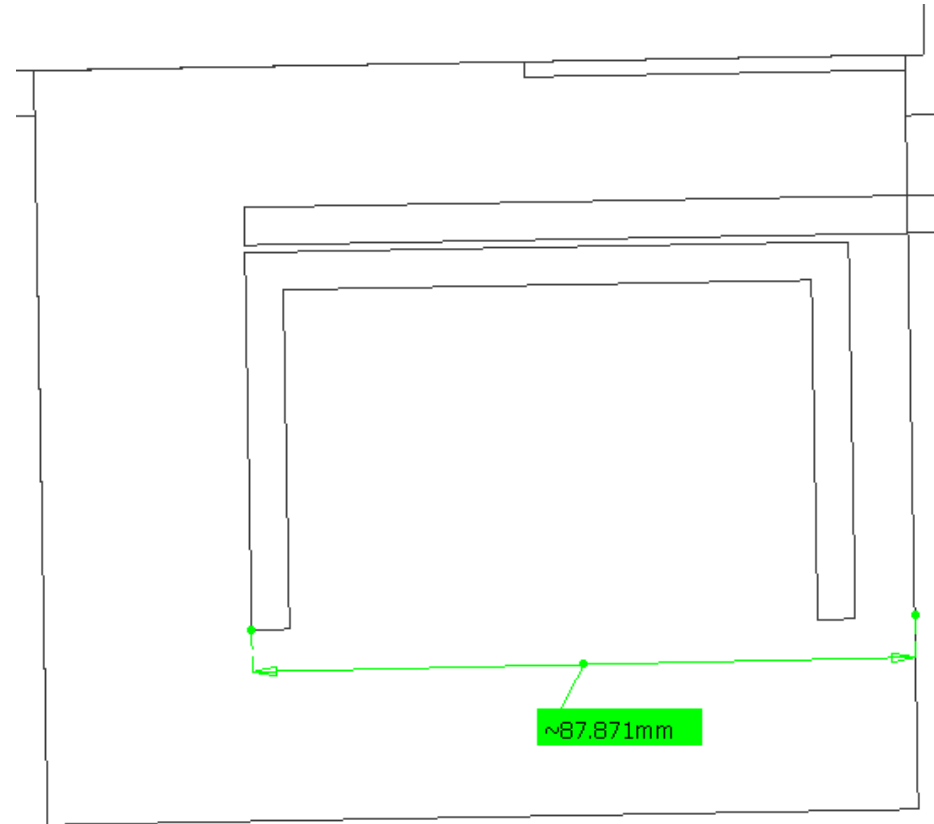
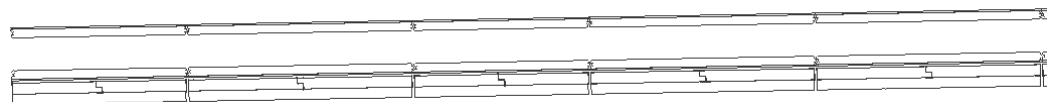
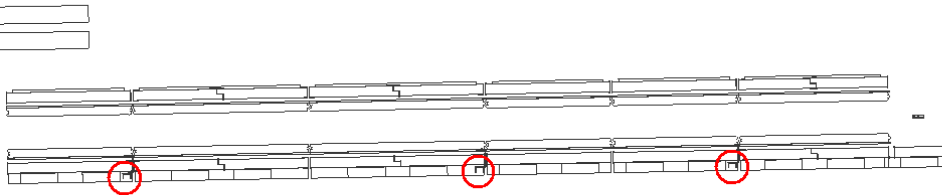
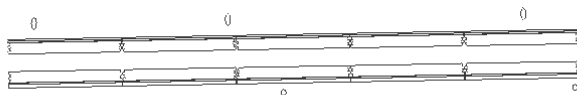
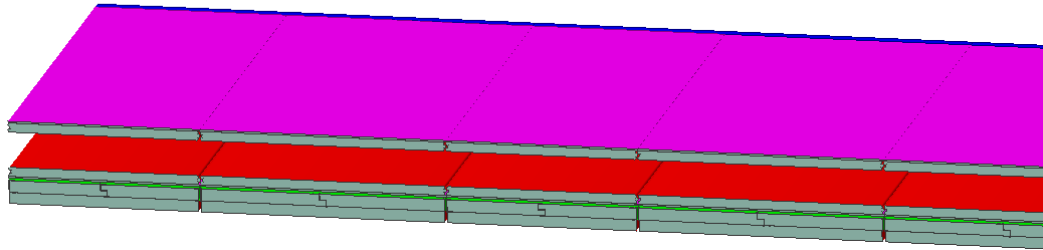
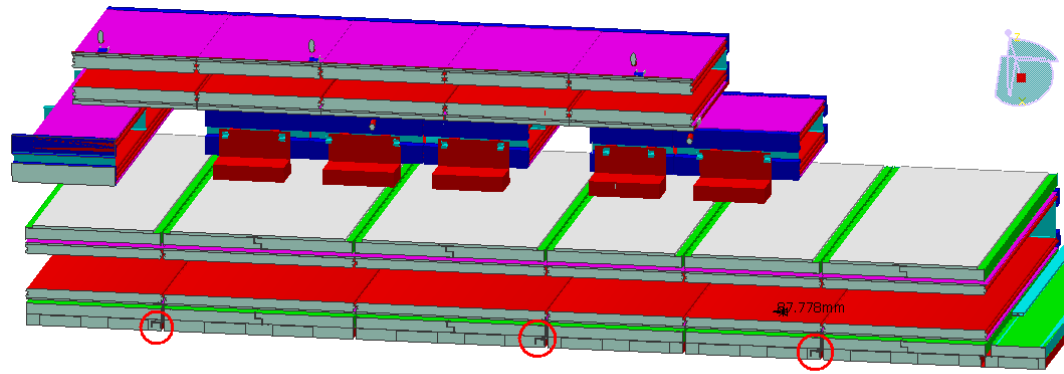


Clash value: ~ 87.7 mm

SIDE C

Sector 15

Clash View:



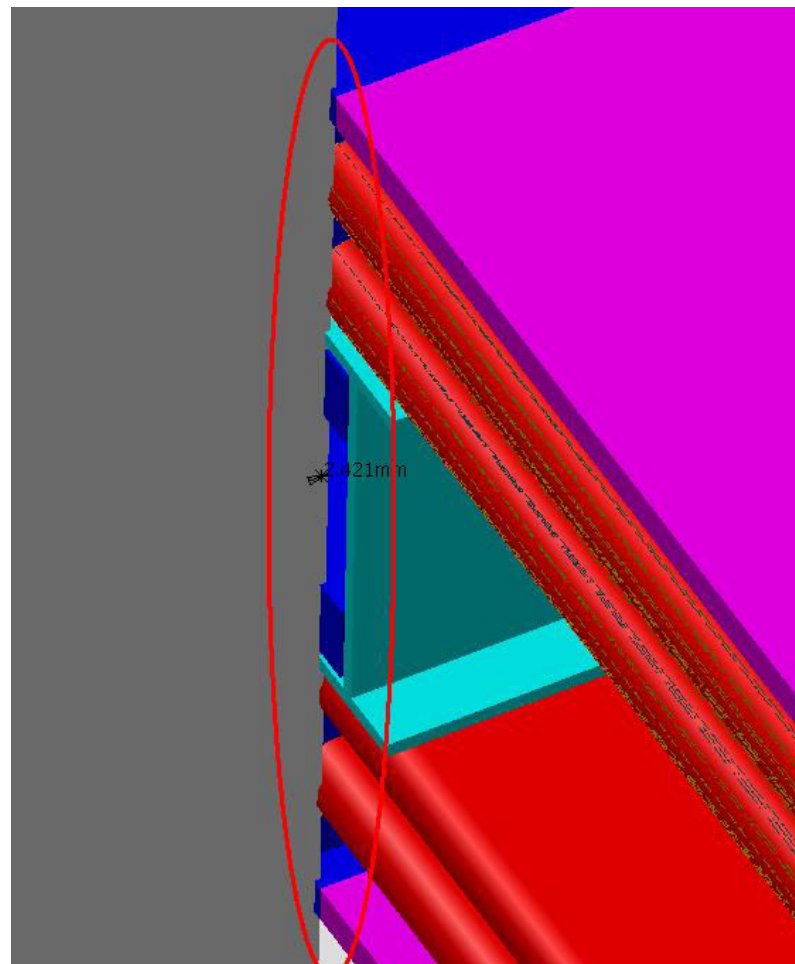
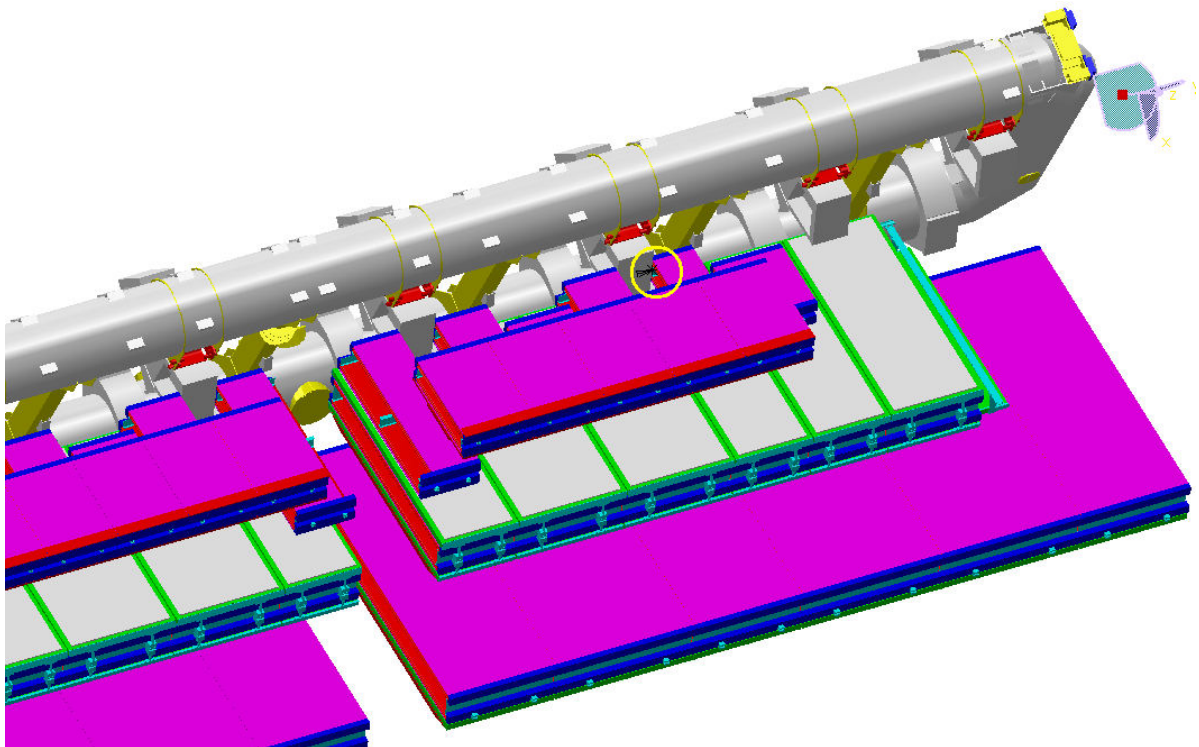
AT602167MQ - MUON BARREL
CHAMBERS DETAILED, SECTOR 15

NTB_0007 - TB FEET COIL - SECTOR 14

Clash

-2.4 mm

Warning



Clash value: ~ 2.4 mm

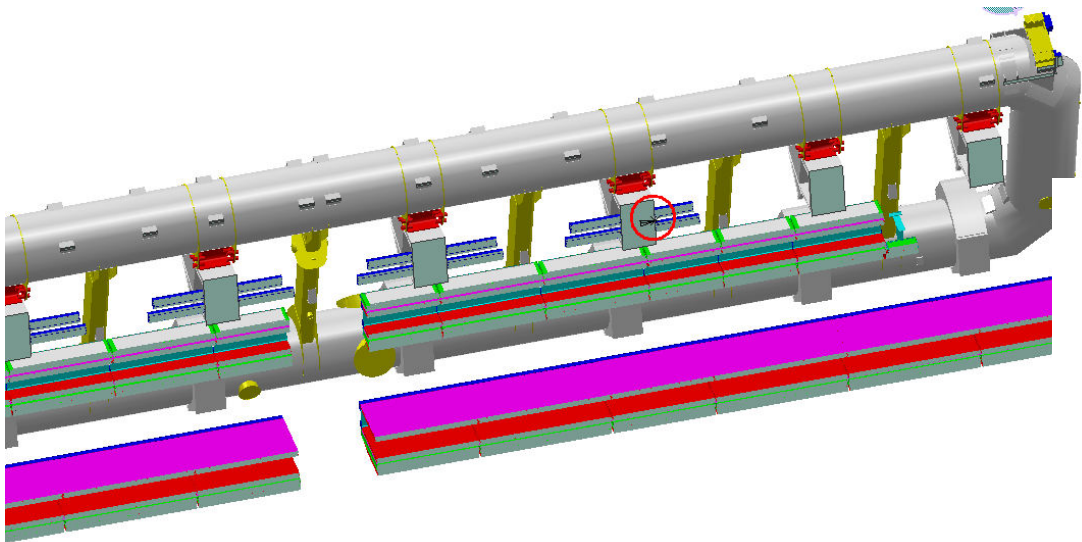
SIDE A-C

Sector 15

The identical clash exists on the opposite side

Tatiana: Check with VTB

Lasha: I have checked with VTB, cutout exists and there is no clash, however clearance is 22mm.



Clash View:

