



Clearance Publish

Clearance = 100mm

Clearance Computation Specification			
Products Selected		Value	Status
AT612432MQ - All BML support in Sec.13	ATCNMA_0009 – END CAP ALIGNMENT SIDE "A" - SIMPLE 3-D MODEL	22.7 mm	Not inspected
	ATCNMA_0010 – END CAP ALIGNMENT SIDE "C" - SIMPLE 3-D MODEL	22.7 mm	Not inspected
	ATCVHB_0005 – EXTREMITY PAIR OF FEET A4 - DETAILED MODEL FOR STANDARDS	Contact	Not inspected
	ATCVHB_0005 M – EXTREMITY PAIR OF FEET C4 - DETAILED MODEL FOR STANDARDS	Contact	Not inspected

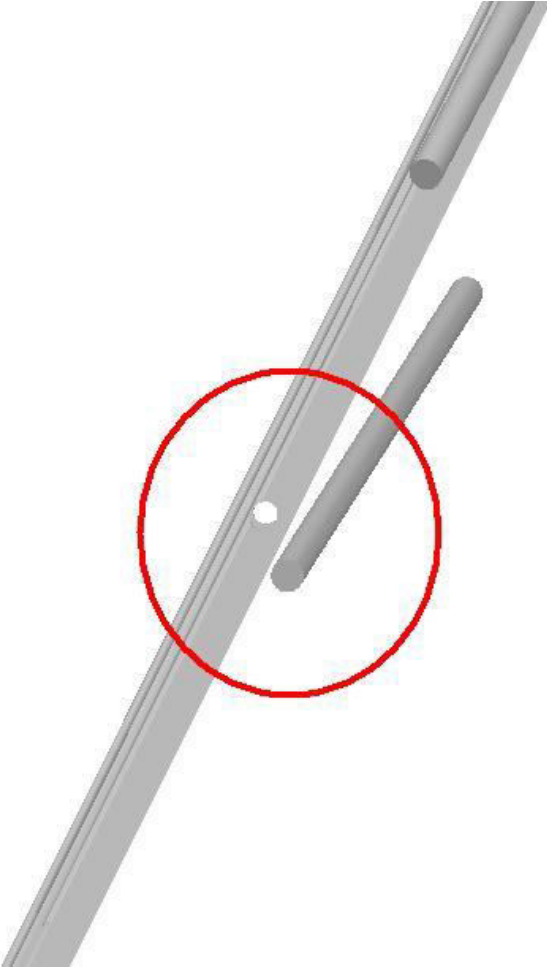
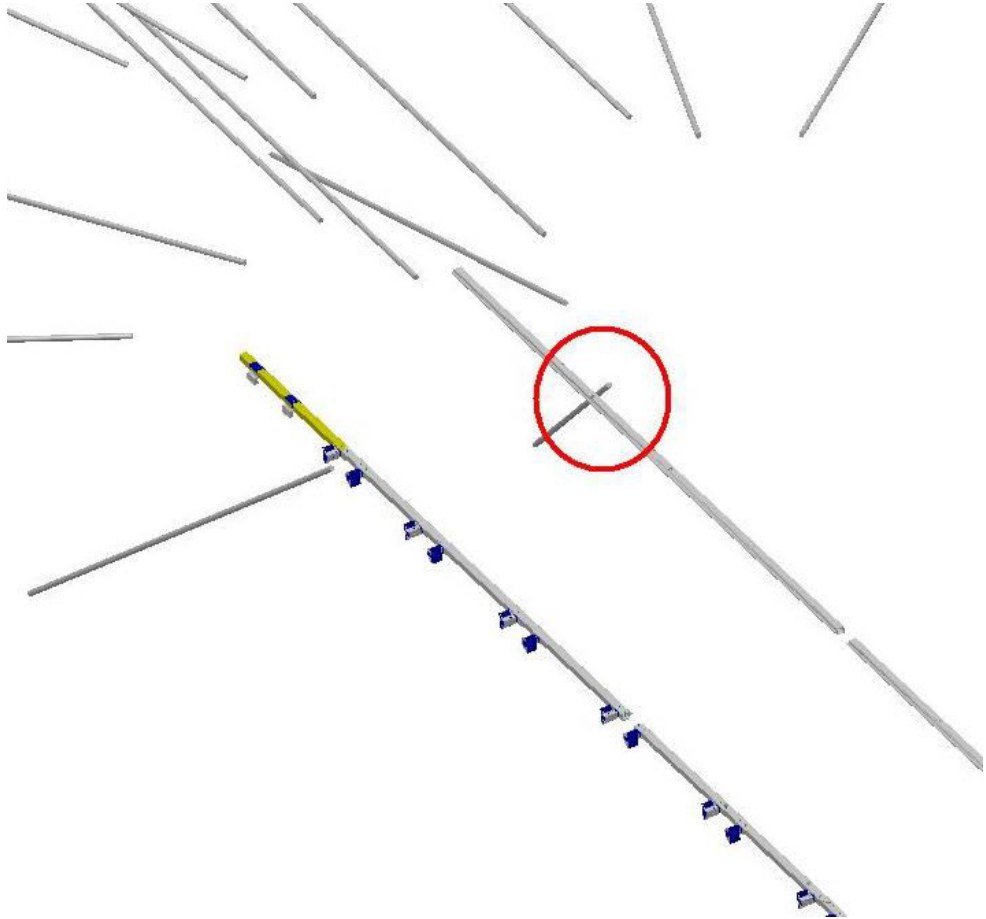


Contact Publish

Contact Computation Specification	
Products Selected	
AT612432MQ - All BML support in Sec.13	ATCNMA_0009 – END CAP ALIGNMENT SIDE "A" - SIMPLE 3-D MODEL

Computation Result:

AT612432MQ	ATCNMA_0009	Clearance	22.7 mm	Not inspected
------------	-------------	-----------	---------	---------------



SIDE A, Sector 13

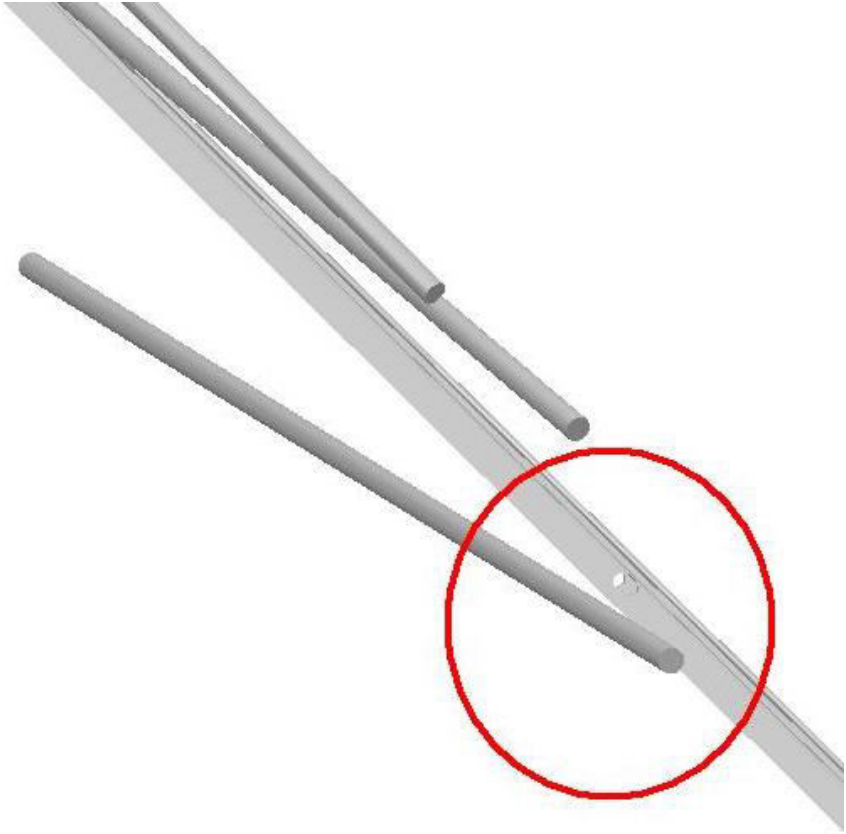
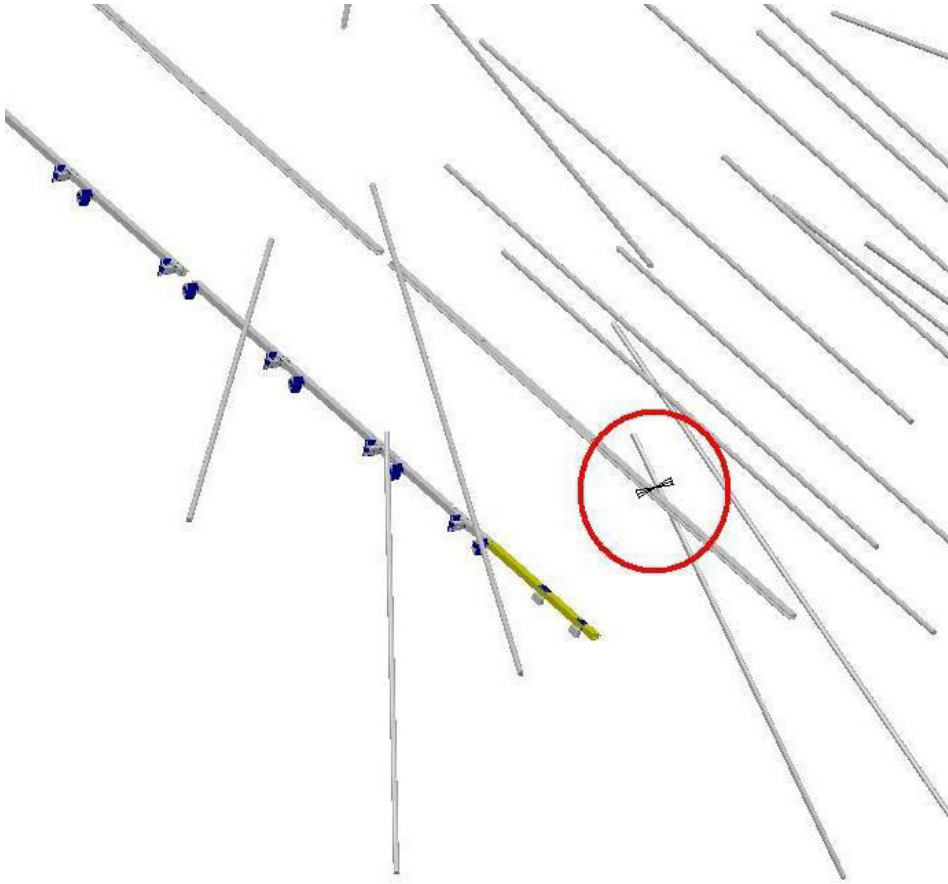


Contact Publish

Contact Computation Specification	
Products Selected	
AT612432MQ - All BML support in Sec.13	ATCNMA_0010 – END CAP ALIGNMENT SIDE "C" - SIMPLE 3-D MODEL

Computation Result:

AT612432MQ	ATCNMA_0010	Clearance	22.7 mm	Not inspected
------------	-------------	-----------	---------	---------------



SIDE C, Sector 13

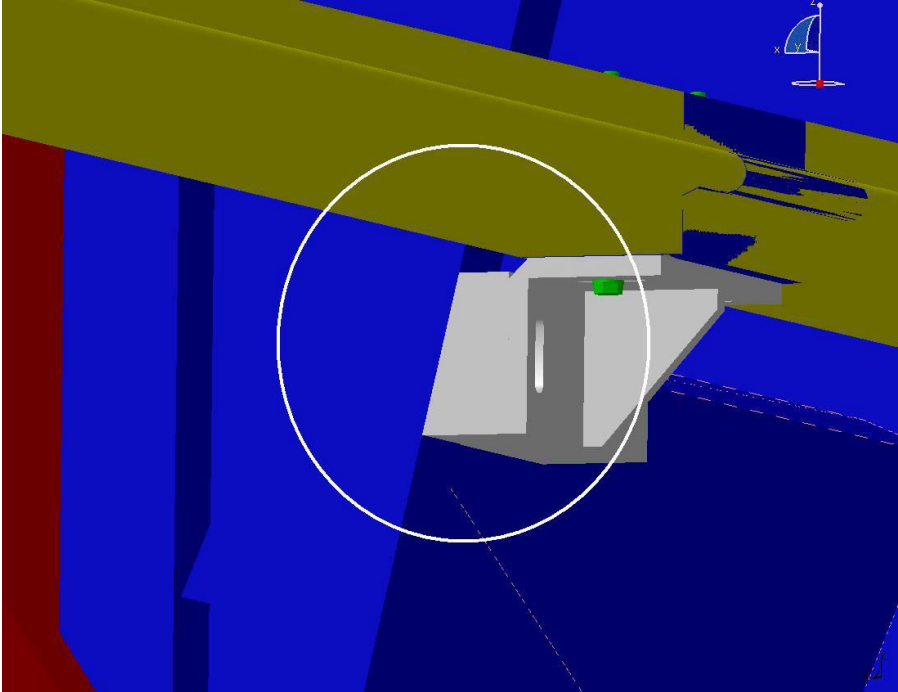
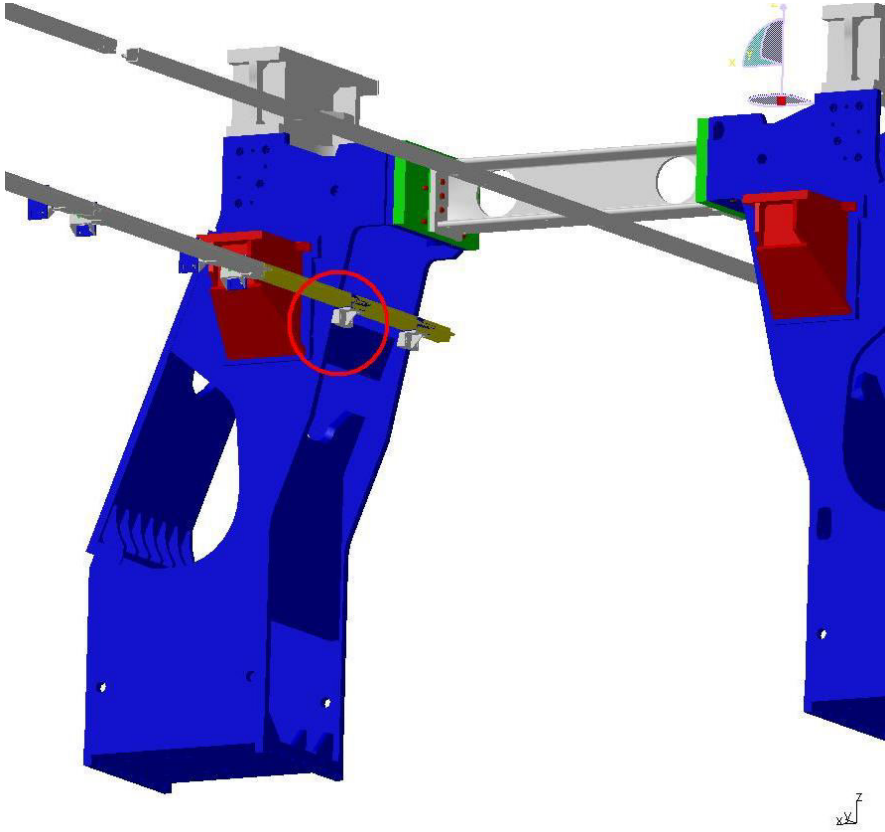


Contact Publish

Contact Computation Specification	
Products Selected	
AT612432MQ - All BML support in Sec.13	ATCVHB_0005 – EXTREMITY PAIR OF FEET A4 - DETAILED MODEL FOR STANDARDS

Computation Result:

AT612432MQ	ATCVHB_0005	Contact	-	Not inspected
------------	-------------	---------	---	---------------



SIDE A, Sector 13

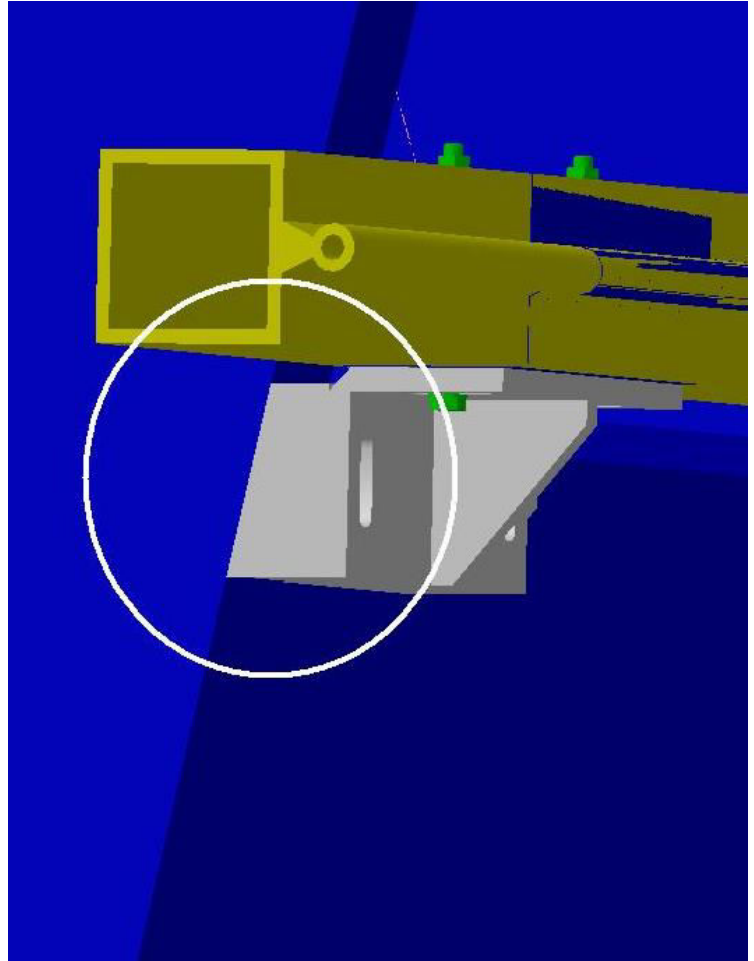
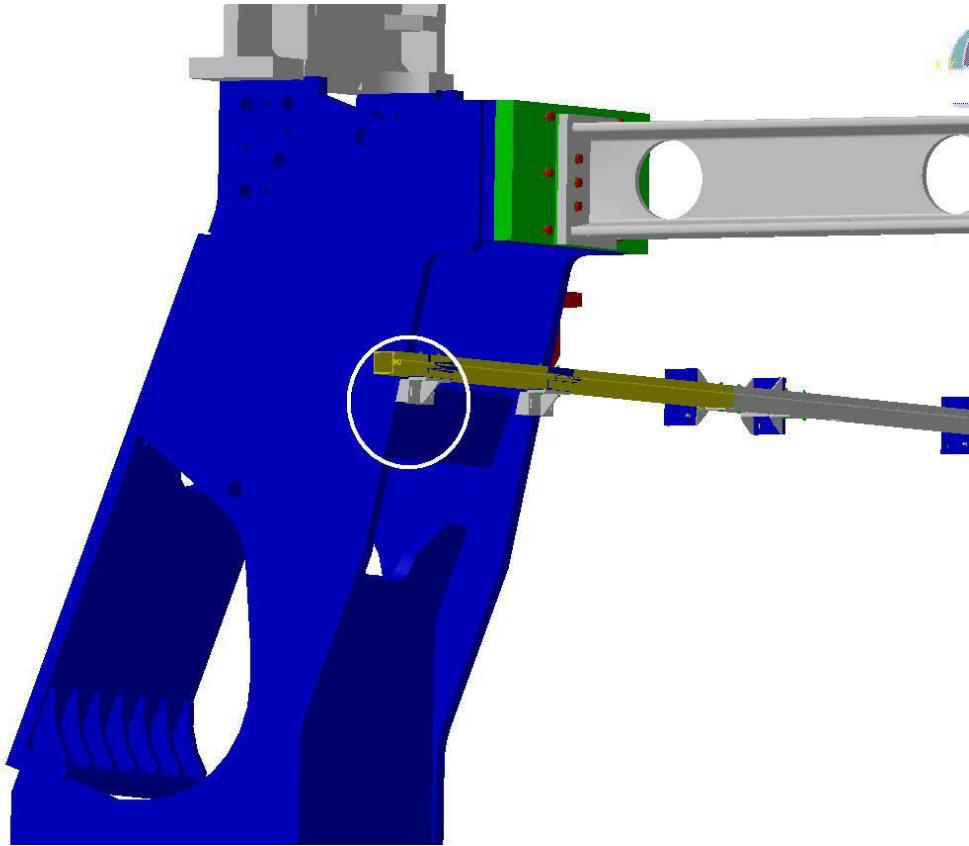


Contact Publish

Contact Computation Specification	
Products Selected	
AT612432MQ - All BML support in Sec.13	ATCVHB_0005 M – EXTREMITY PAIR OF FEET C4 - DETAILED MODEL FOR STANDARDS

Computation Result:

AT612432MQ	ATCVHB_0005 M	Contact	-	Not inspected
------------	---------------	---------	---	---------------



SIDE C, Sector 13