

Clash Publish

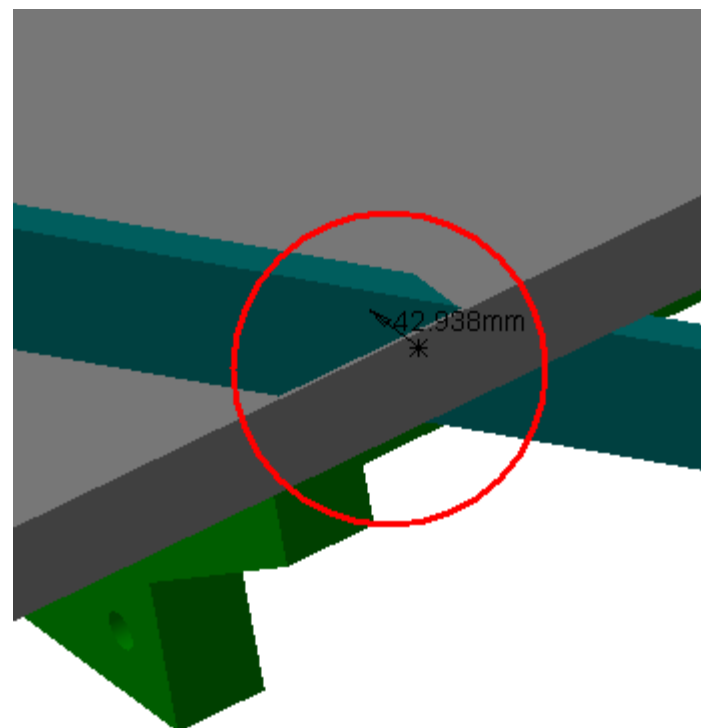
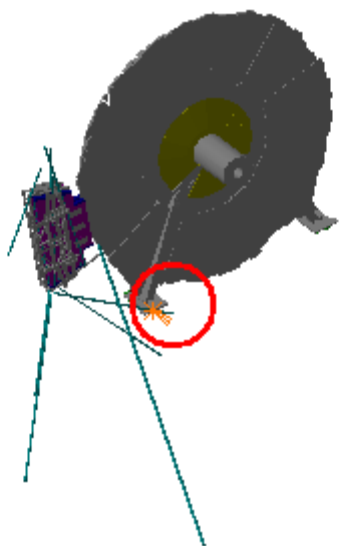


Clash Computation Specification			
Products Selected			
AT632628 MQ Alignment BAR EIL4, Side C, Sector 1	ATCNJ_0003 JD SHIELDING (SIDE C) - WITH TGC MUON CHAMBERS	-42.94	Relevant
	ATCNMC_0018 SMALL WHEEL (SIDE C) - SIMPLIFIED 3-D OBJECT	-69.09	Not Relevant
	ATCNMC_0019 MEE CHAMBERS SIDE C - 3D SIMPLIFIED MODEL	-72.16	Warning
	ATCNMA_0001 BARREL PROJECTIVE ALIGNMENT. - SIMPLE 3-D MODEL. SECTOR 1.	-82.92	Not Relevant
	ATCNMA__0010 END CAP ALIGNMENT SIDE "C" - SIMPLE 3-D MODEL	-99.22	Not Relevant
	ATCNMA__0011 SECTOR 02 SIDE C (A) - REFERENCE ALIGNMENT SYSTEM AND	-52.92	Not Relevant
	ATCNMA__0018 SECTOR 16 SIDE C (A) - REFERENCE ALIGNMENT SYSTEM AND	-52.52	Not Relevant
	ATCNTB_0003 TB WARM STRUCTURE - SIMPLIFIED 3-D OBJECT	-288.99	Not Relevant
	AT592057MQ SW outer Chains	-42.94mm	Not Relevant
	AT602152MQ MCB Muon Barrel Chambers Detailed Sec 1	-0.07	Relevant

Products Selected

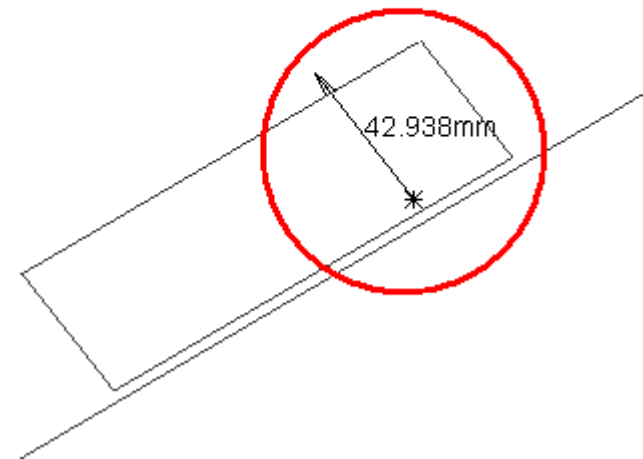
AT632628 MQ Alignment BAR EIL4, Side C, Sector 1	AT602342MQ MCB Muon Barrel Chambers Detailed Sec 16	-721.36	Relevant
	ATCNTB_0001 BT16 TB STANDARD COIL - SECTORS 16	-83.92	Not Relevant
	ATCNTB_0001 BT2 TB STANDARD COIL - SECTORS 2	-9.91	Not Relevant
	AT592057MQ SW outer Chains	-42.94	Not Relevant

AT632628 MQ Alignment BAR EIL4, Side C, Sector 1	ATCNJ_0003 JD SHIELDING (SIDE C) - WITH TGC MUON CHAMBERS	Clash	-42.94mm	Relevant
-----------------------------------------------------	--------------------------------------------------------------	-------	----------	----------

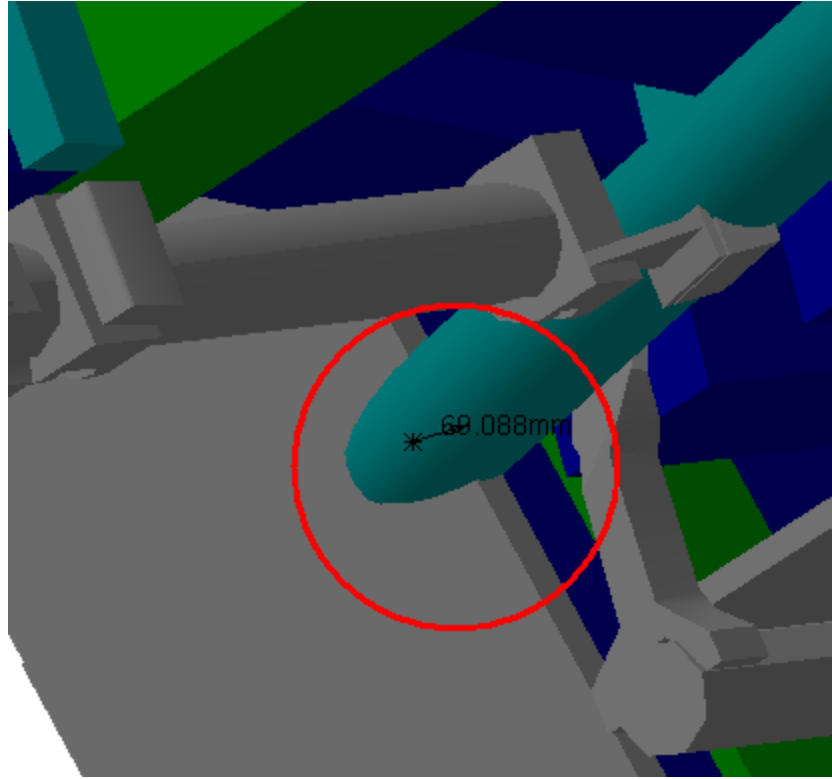
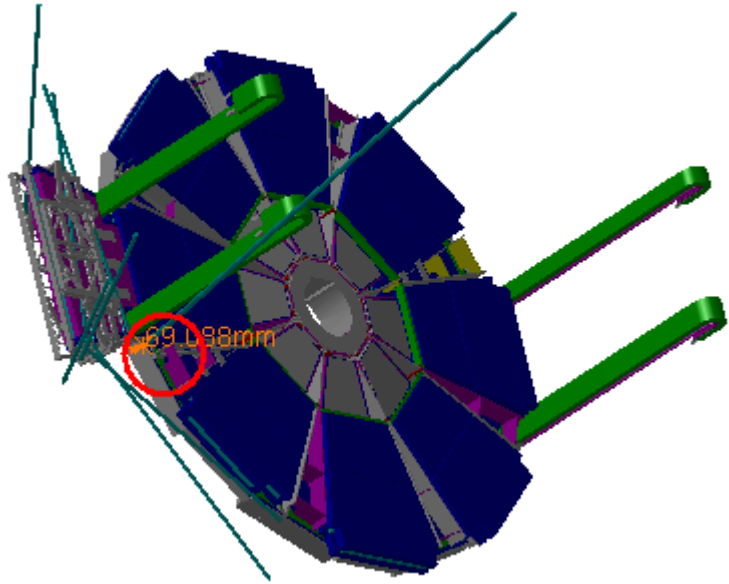


Vincent: Have to be checked with Ian
Hooton

Clash View 1:



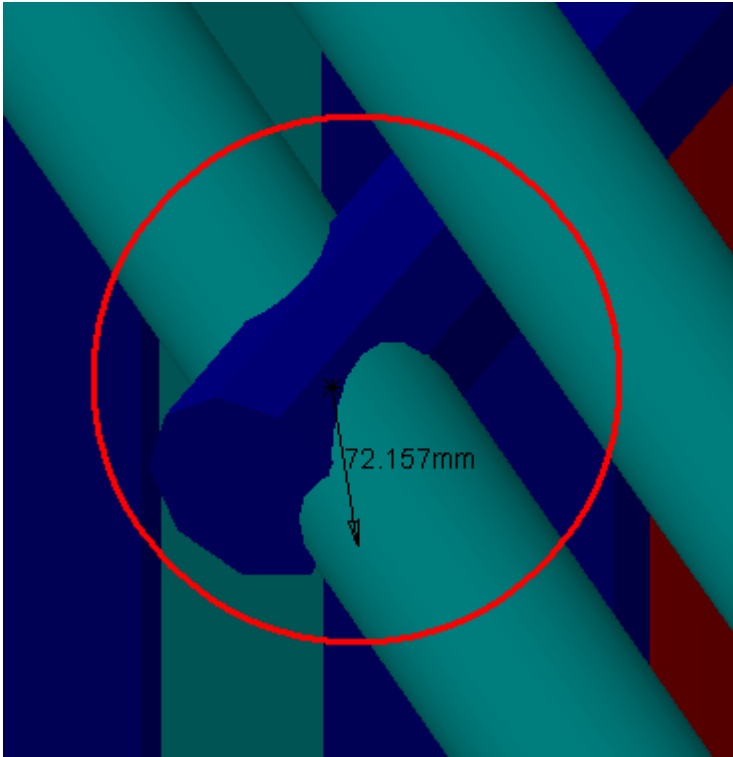
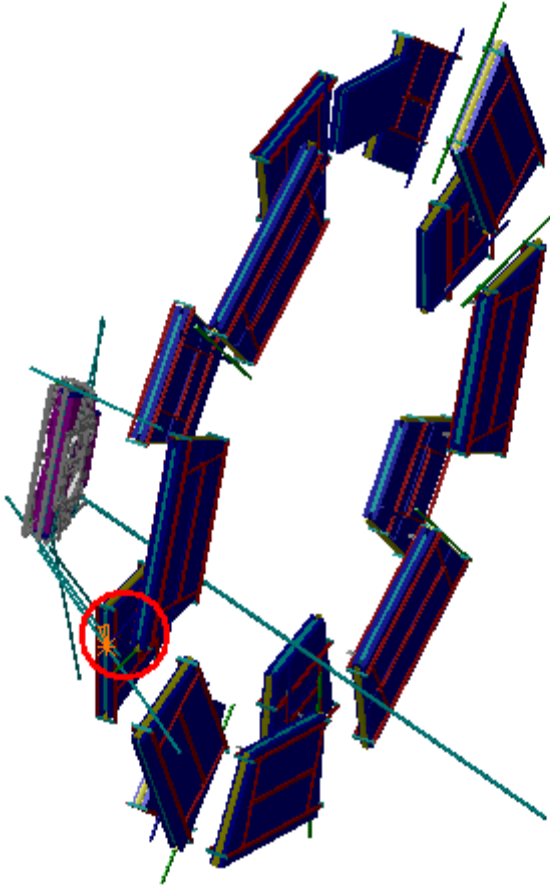
AT632628 MQ Alignment BAR EIL4, Side C, Sector 1	ATCNMC_0018 SMALL WHEEL (SIDE C) - SIMPLIFIED 3-D OBJECT	Clash	-69.09mm	Not Relevant
-----------------------------------------------------	-------------------------------------------------------------	-------	----------	--------------



Side C
Sector 1

WARNING

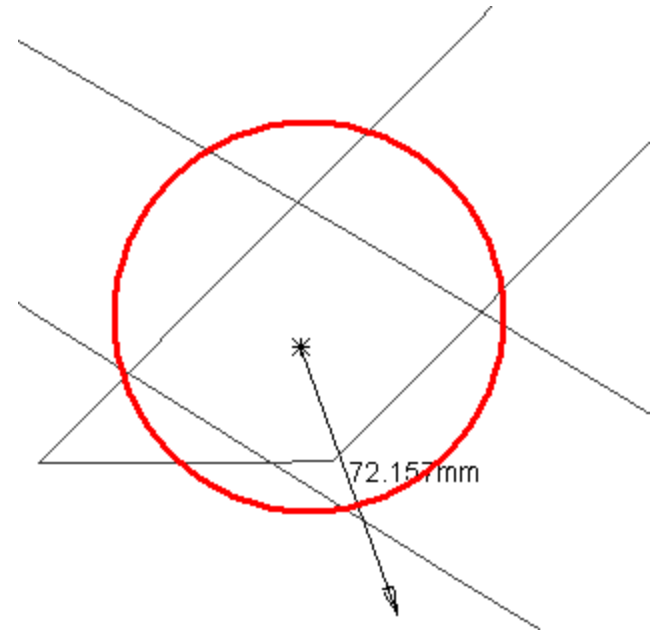
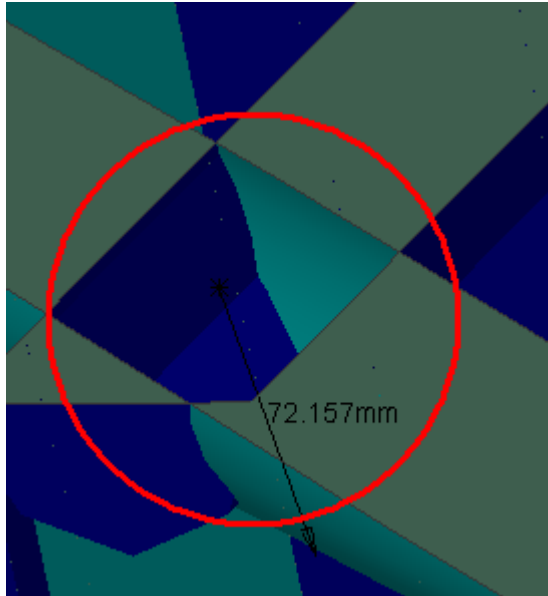
AT632628 MQ Alignment BAR EIL4, Side C, Sector 1	ATCNMC_0019 MEE CHAMBERS SIDE C - 3D SIMPLIFIED MODEL	Clash	-72.16 mm	Warning
-----------------------------------------------------	-------------------------------------------------------------	-------	-----------	---------



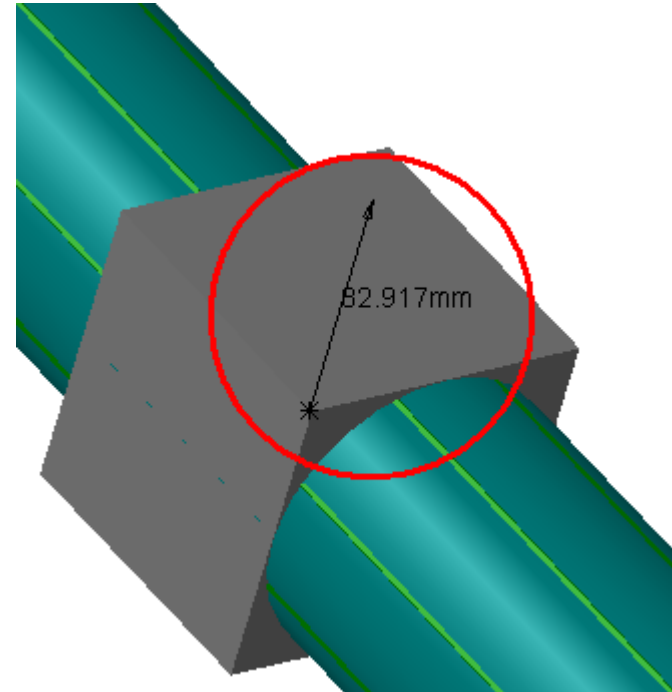
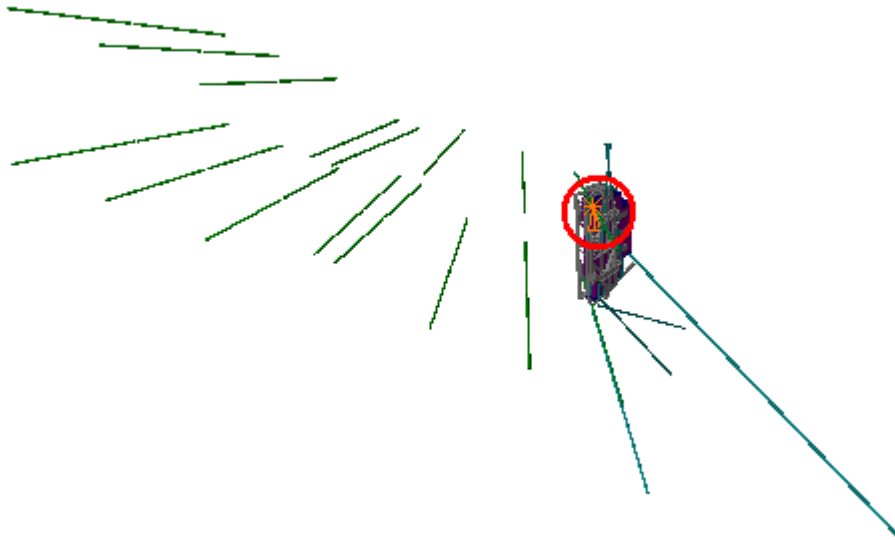
Giancarlo: Warning for future

Side C
Sector 1

Clash View 1:

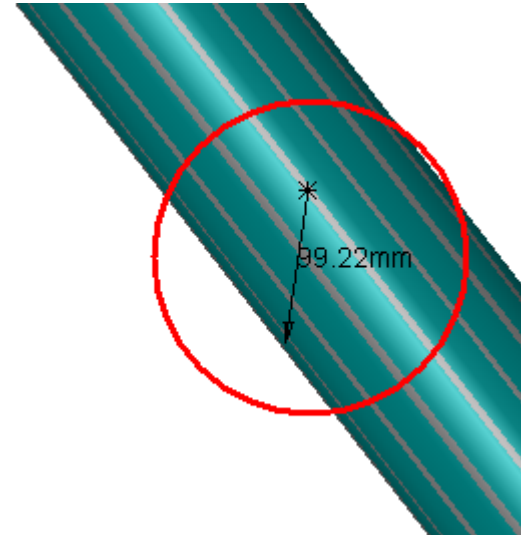
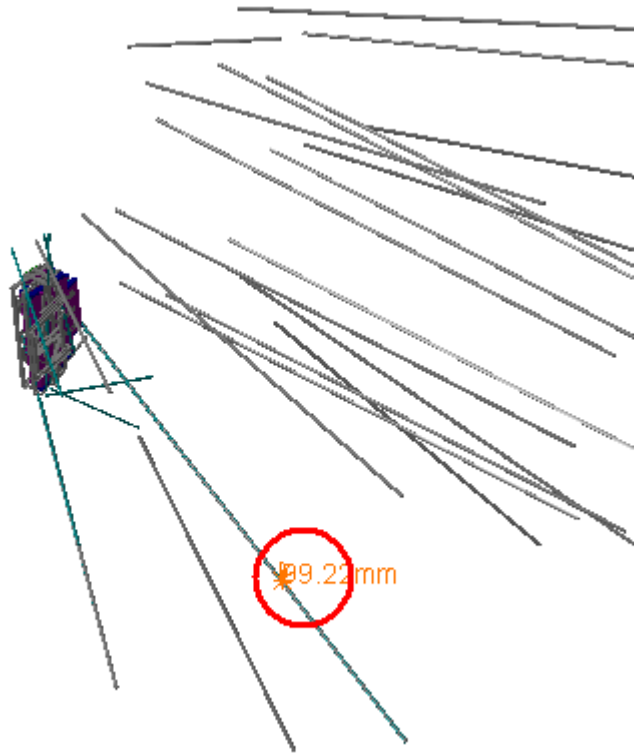


AT632628 MQ Alignment BAR EIL4, Side C, Sector 1	ATCNMA_0001 BARREL PROJECTIVE ALIGNMENT. - SIMPLE 3-D MODEL. SECTOR 1.	Clash	-82.92mm	Not Relevant
-----------------------------------------------------	------------------------------------------------------------------------------	-------	----------	--------------



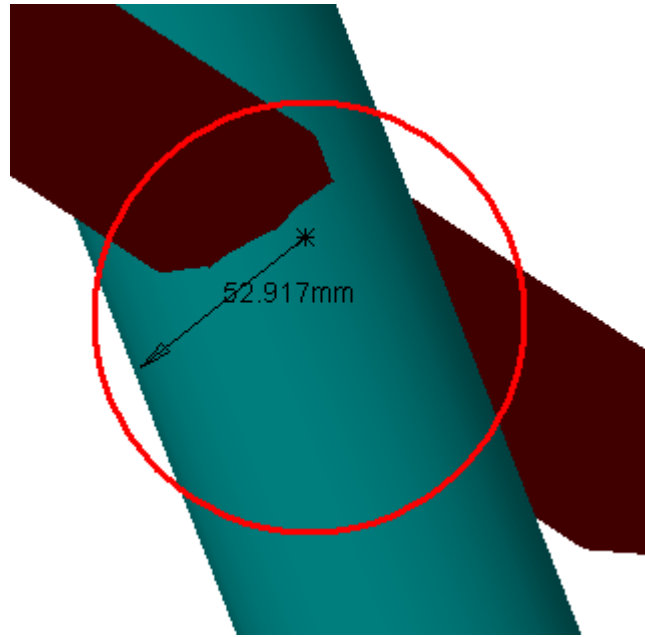
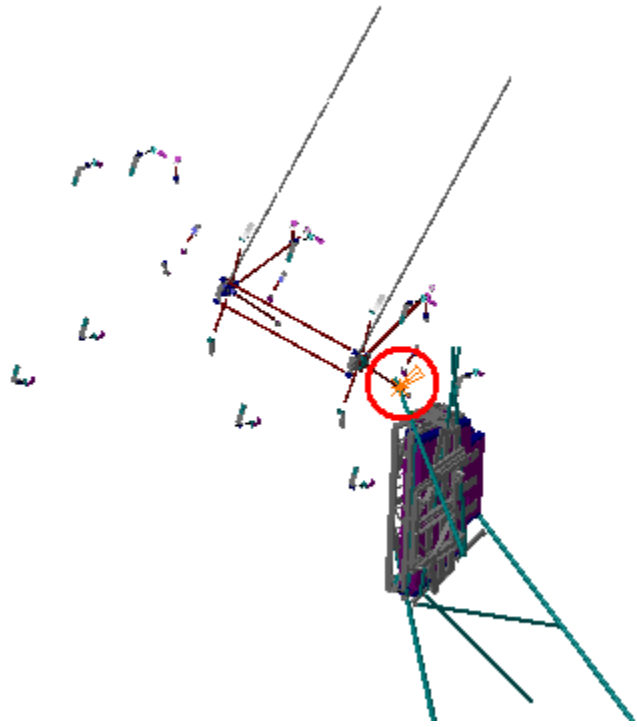
Side C
Sector 1

AT632628 MQ Alignment BAR EIL4, Side C, Sector 1	ATCNMA_0010 END CAP ALIGNMENT SIDE "C" - SIMPLE 3-D MODEL	Clash	-99.22mm	Not inspected
-----------------------------------------------------	-----------------------------------------------------------------	-------	----------	---------------



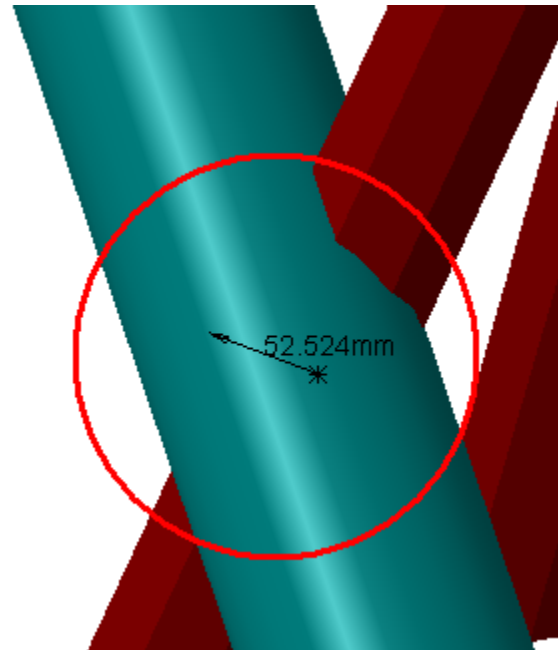
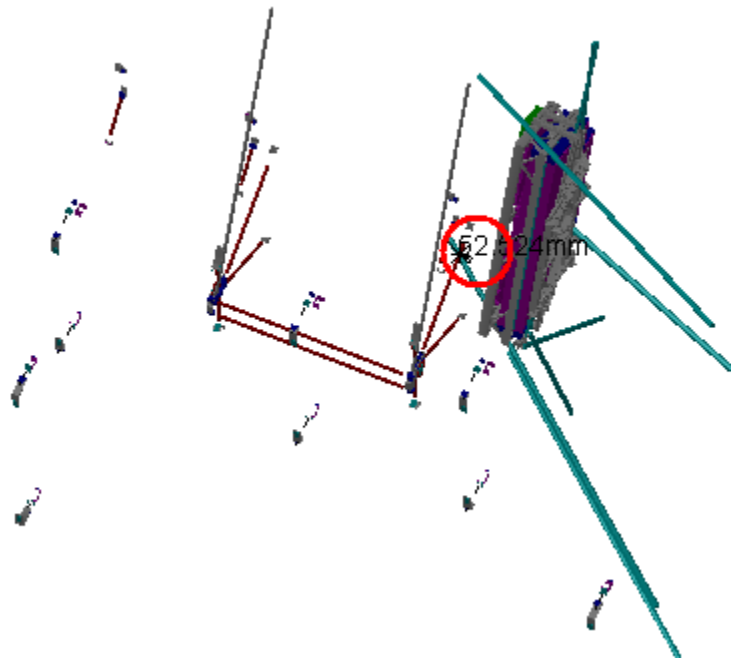
Side C
Sector 1

AT632628 MQ Alignment BAR EIL4, Side C, Sector 1	ATCNMA_0011 SECTOR 02 SIDE C (A) - REFERENCE ALIGNMENT SYSTEM AND	Clash	-52.92mm	Not Relevant
-----------------------------------------------------	-------------------------------------------------------------------------	-------	----------	--------------



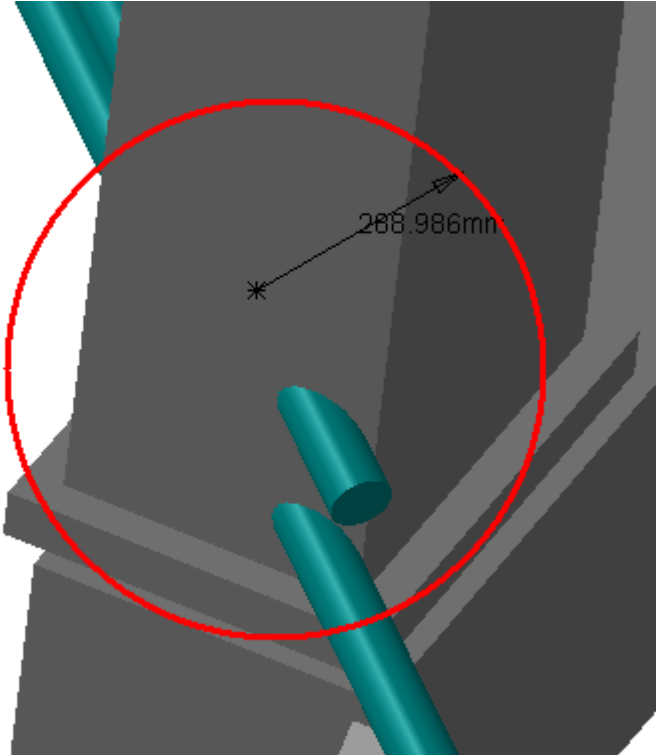
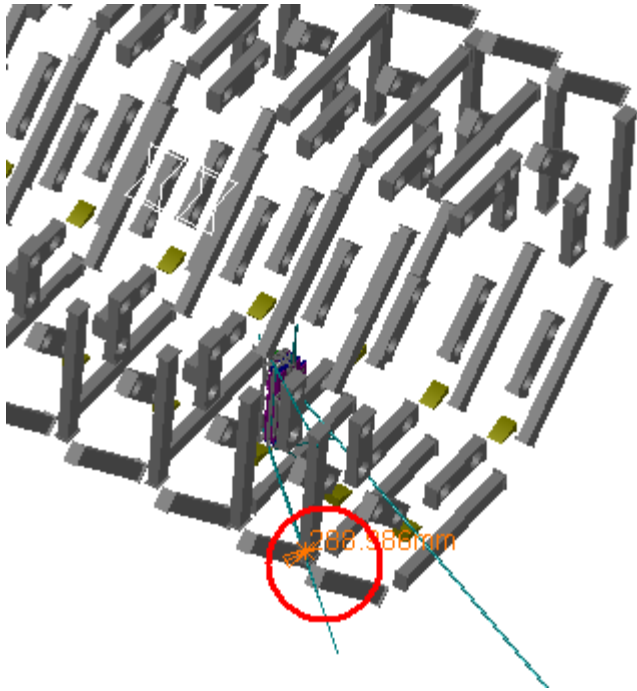
Side C
Sector 1

AT632628 MQ Alignment BAR EIL4, Side C, Sector 1	ATCNMA_0018 SECTOR 16 SIDE C (A) - REFERENCE ALIGNMENT SYSTEM AND	Clash	-52.52mm	Not Relevant
-----------------------------------------------------	-------------------------------------------------------------------------	-------	----------	--------------



Side C
Sector 1

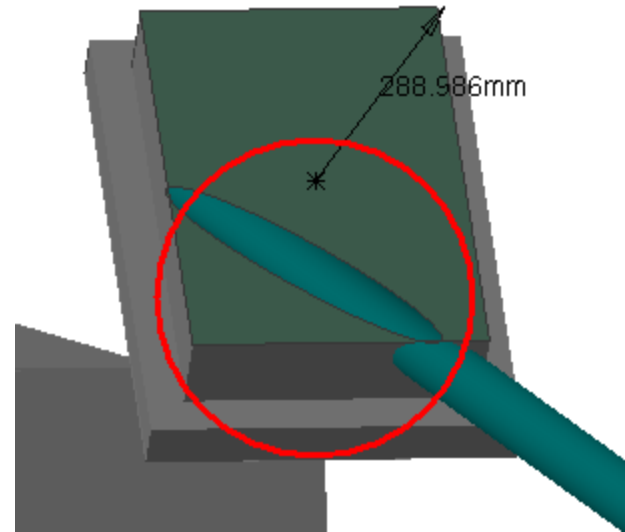
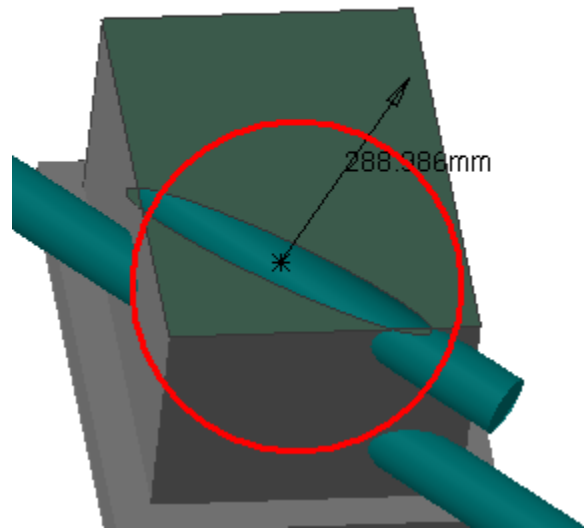
AT632628 MQ Alignment BAR EIL4, Side C, Sector 1	ATCNTB_0003 TB WARM STRUCTURE - SIMPLIFIED 3-D OBJECT	Clash	-288.99mm	Not Relevant
-----------------------------------------------------	-------------------------------------------------------------	-------	-----------	--------------



Side C
Sector 1

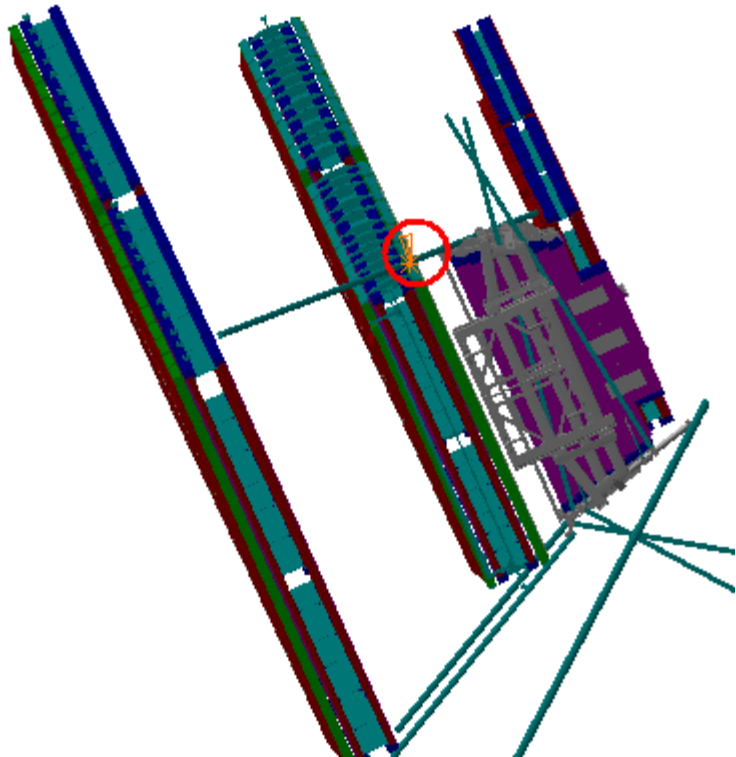
Olga: Holes exist

Clash View 1:



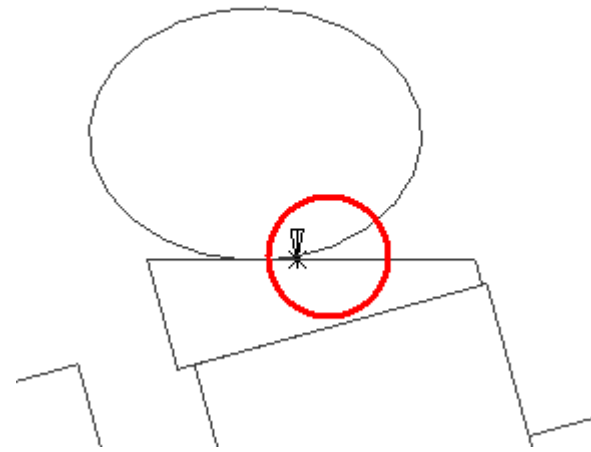
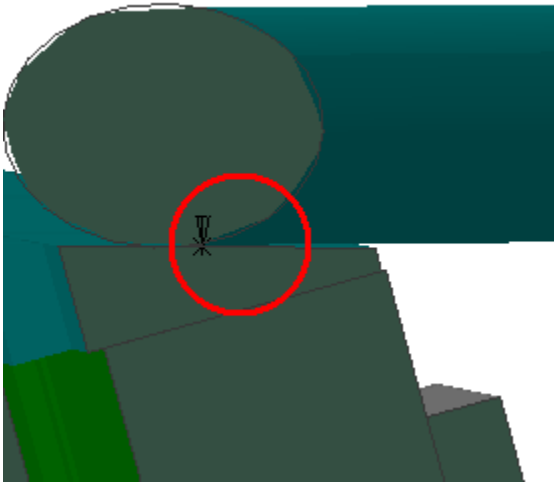
RELEVANT

AT632628 MQ Alignment BAR EIL4, Side C, Sector 1	AT602152MQ MCB Muon Barrel Chambers Detailed Sec 1	Clash	-0.07mm	Relevant
-----------------------------------------------------	-------------------------------------------------------	-------	---------	----------



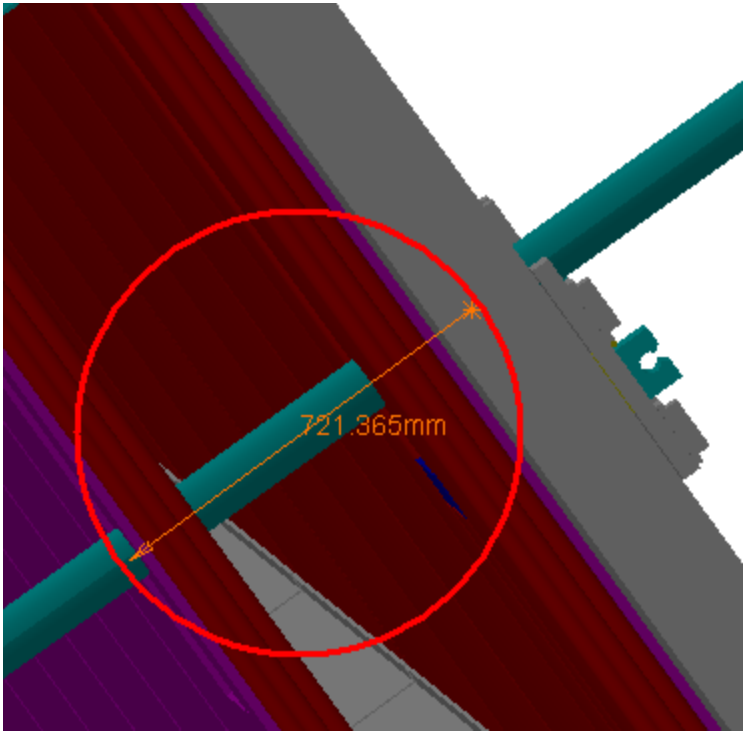
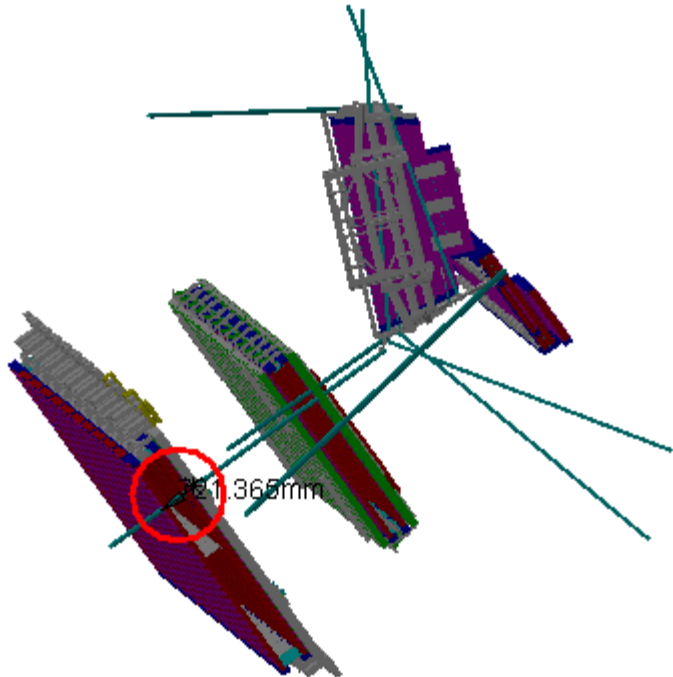
Side C
Sector 1

Clash View 1:



RELEVANT

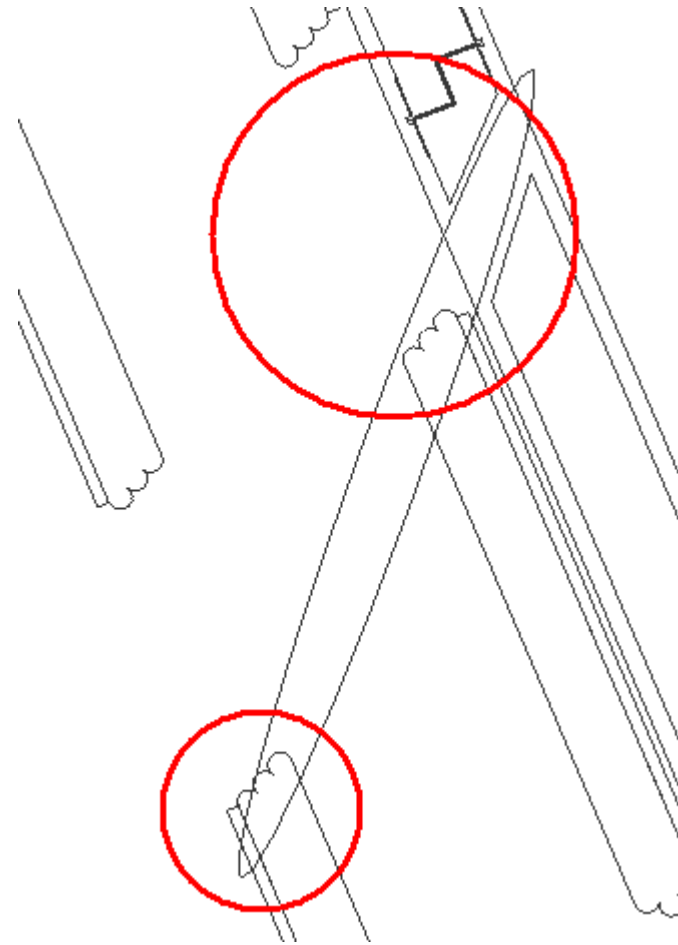
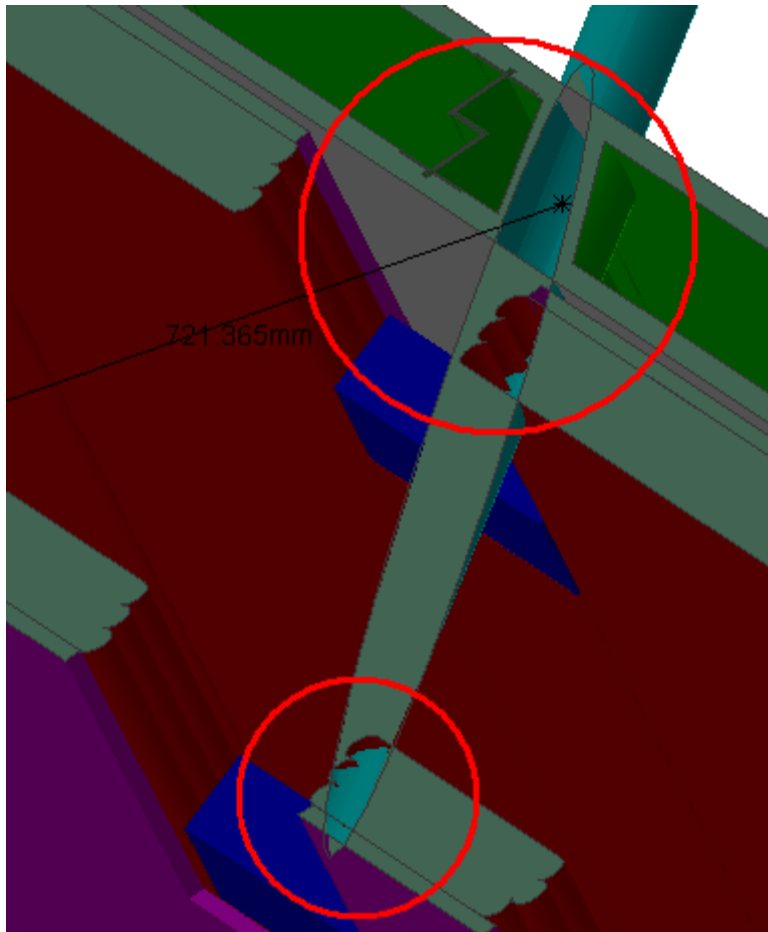
AT632628 MQ Alignment BAR EIL4, Side C, Sector 1	AT602342MQ MCB Muon Barrel Chambers Detailed Sec 16	Clash	-721.36mm	Relevant
-----------------------------------------------------	--------------------------------------------------------	-------	-----------	----------



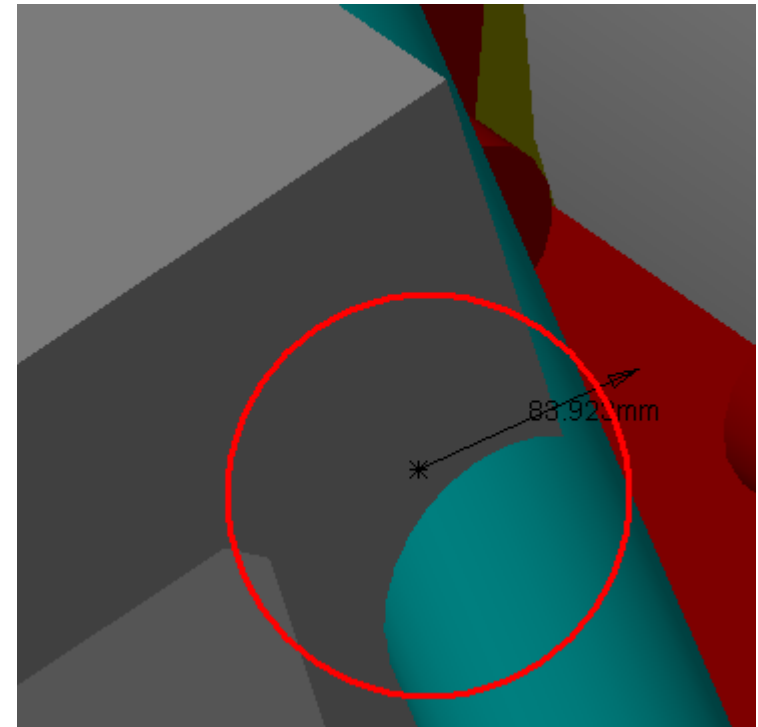
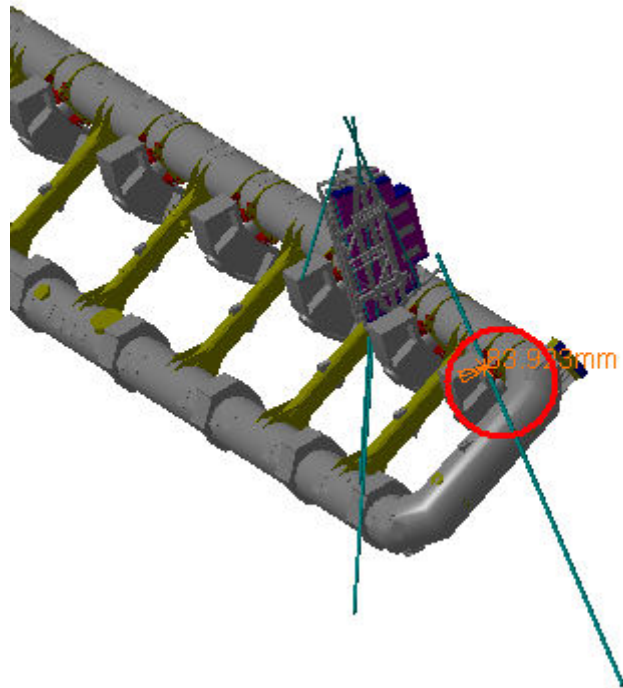
Side C
Sector 1

Olga: Relevant holes defined in parameter book
– BOS model to be updated

Clash View 1:



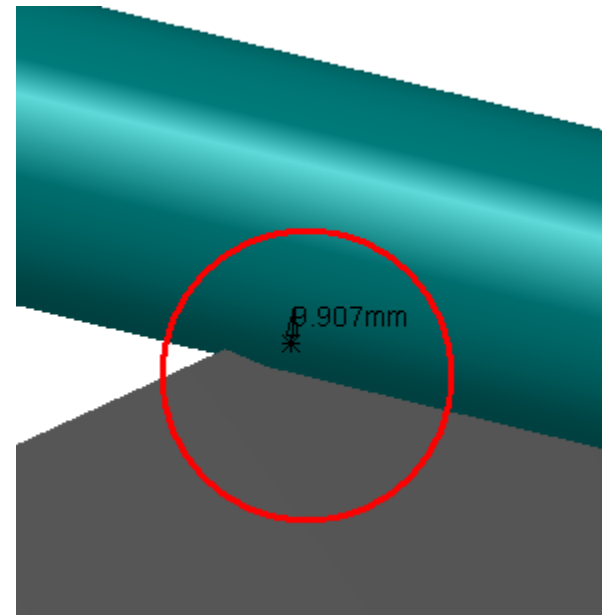
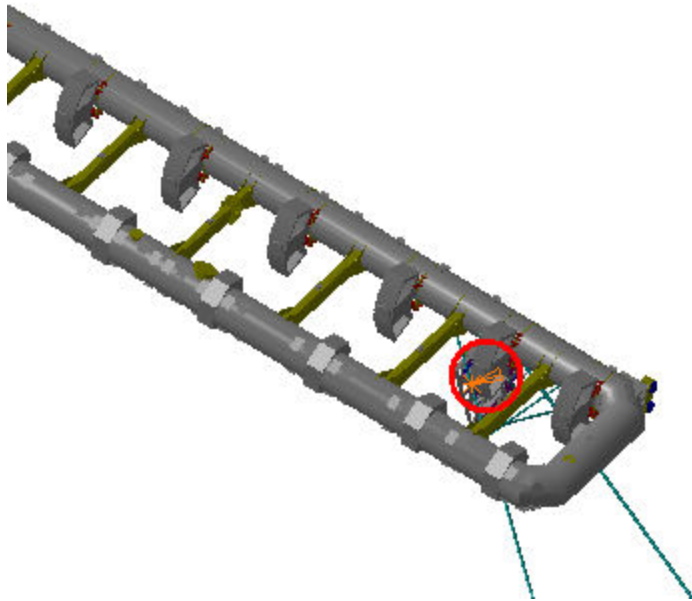
AT632628 MQ Alignment BAR EIL4, Side C, Sector 1	ATCNTB_0001 BT16 TB STANDARD COIL - SECTORS 16	Clash	-83.92mm	Not Relevant
-----------------------------------------------------	---------------------------------------------------	-------	----------	--------------



Side C
Sector 1

Lasha: I have checked in Cavern and cutout exists.
So, it is N.R.

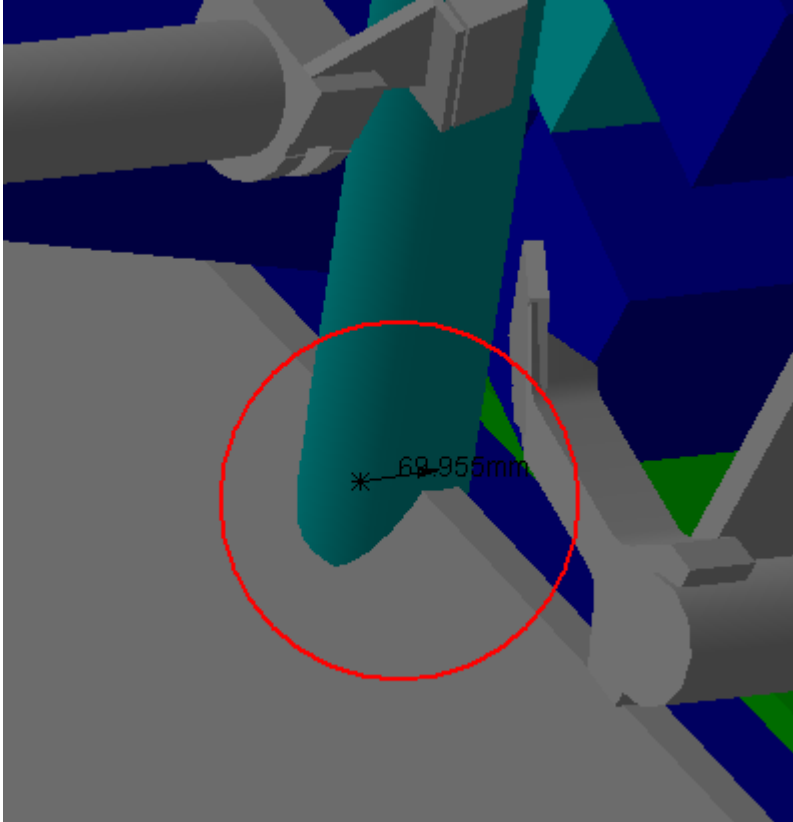
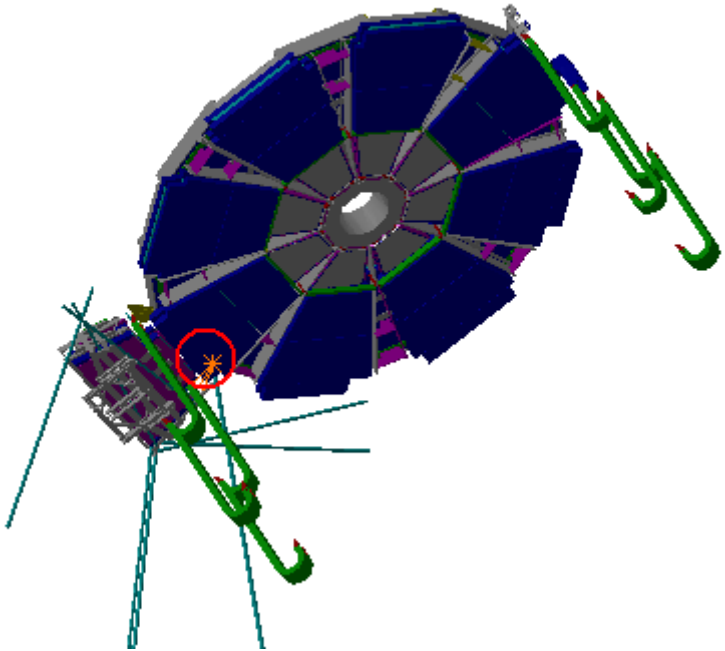
AT632628 MQ Alignment BAR EIL4, Side C, Sector 1	ATCNTB_0001 BT2 TB STANDARD COIL - SECTORS 2	Clash	-9.91mm	Not Relevant
-----------------------------------------------------	-------------------------------------------------	-------	---------	--------------



Side C
Sector 1

Lasha: I have checked in Cavern and cutout exists.
So, it is N.R.

AT632628 MQ Alignment BAR EIL4, Side C, Sector 1	AT592057MQ SW outer Chains	Clash	-42.94mm	Not Relevant
-----------------------------------------------------	----------------------------	-------	----------	--------------



Side C
Sector 1