

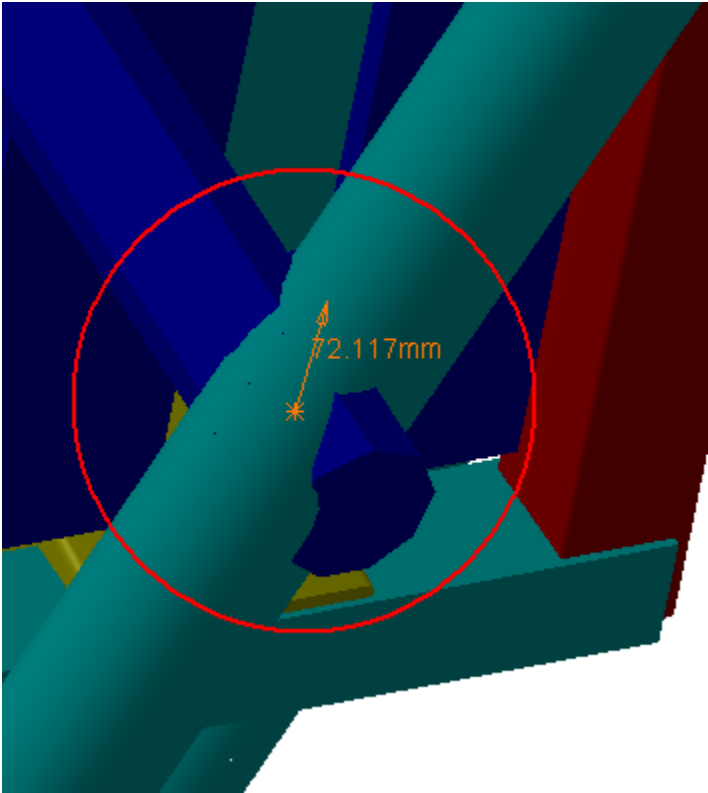
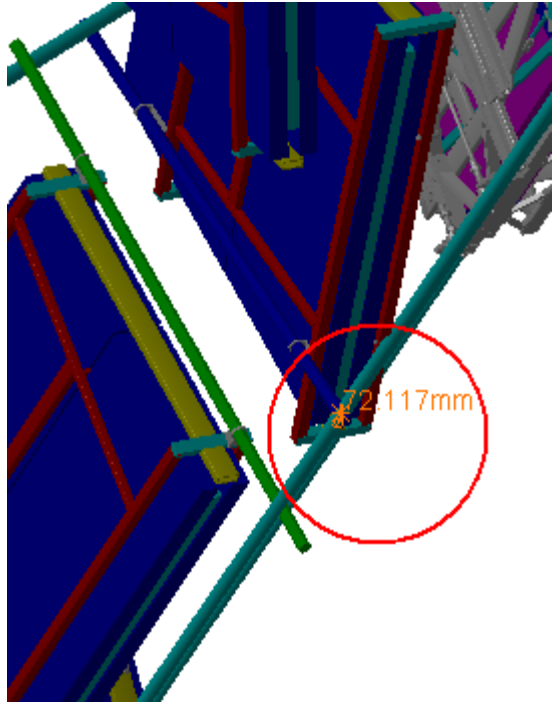
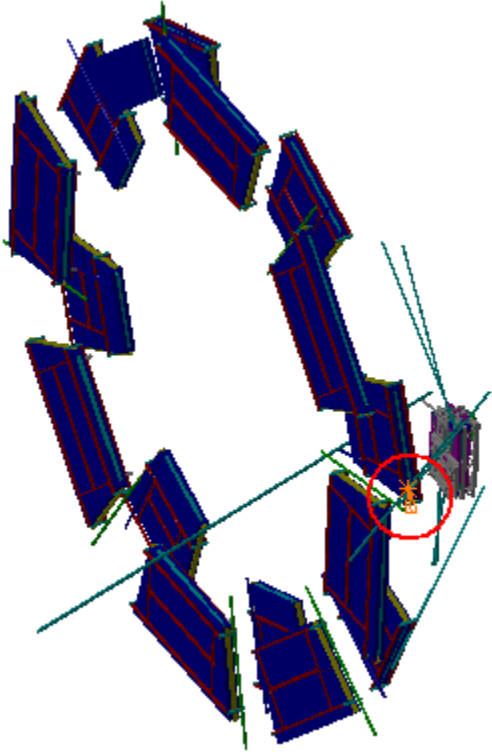
Clash Publish



Clash Computation Specification			
Products Selected			
AT632633 MQ Alignment BAR EIL4, Side C, Sector 11	ATCNMC_0019 MEE CHAMBERS SIDE C - 3D SIMPLIFIED MODEL	-72.12	Not inspected
	ATCNM_0016 BT HEATER CABLE DISTRIBUTION - FOR FOOT REGION	-117.56	Not inspected
	ATCNTB_0002 TB FEET COIL - SECTOR 12	-9.79	Not inspected
	ATCNTB_0003 TB WARM STRUCTURE - SIMPLIFIED 3-D OBJECT	-246.43	Not inspected
	ATCNTB_0001 BT8 TB STANDARD COIL - SECTORS 8	-68.93	Not inspected
	ATCNTB_0001 BT10 TB STANDARD COIL - SECTORS 10	-83.93	Not inspected
	ATCVHB_0003 M STANDARD PAIR OF FEET A2 (C2) - DETAILED MODEL FOR STANDARDS	-144.88	Not inspected
	AT602168MQ MCB Muon Barrel Chambers Detailed	-720.24	Not inspected
	AT592057MQ MQ SW outer Chains	-67.07	Not inspected

Computation Result:

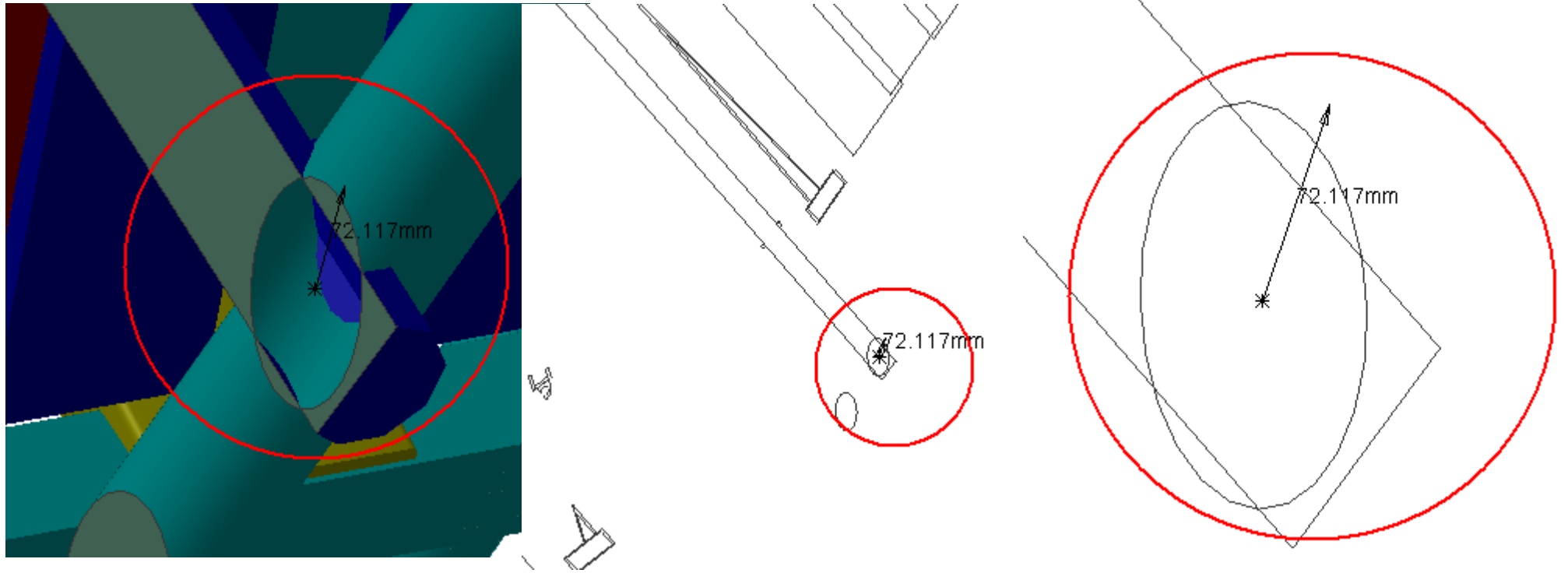
AT632633 MQ Alignment BAR EIL4, Side C, Sector 11	ATCNMC_0019 MEE CHAMBERS SIDE C - 3D SIMPLIFIED MODEL	Clash	-72.12mm	Not inspected
--	--	-------	----------	---------------



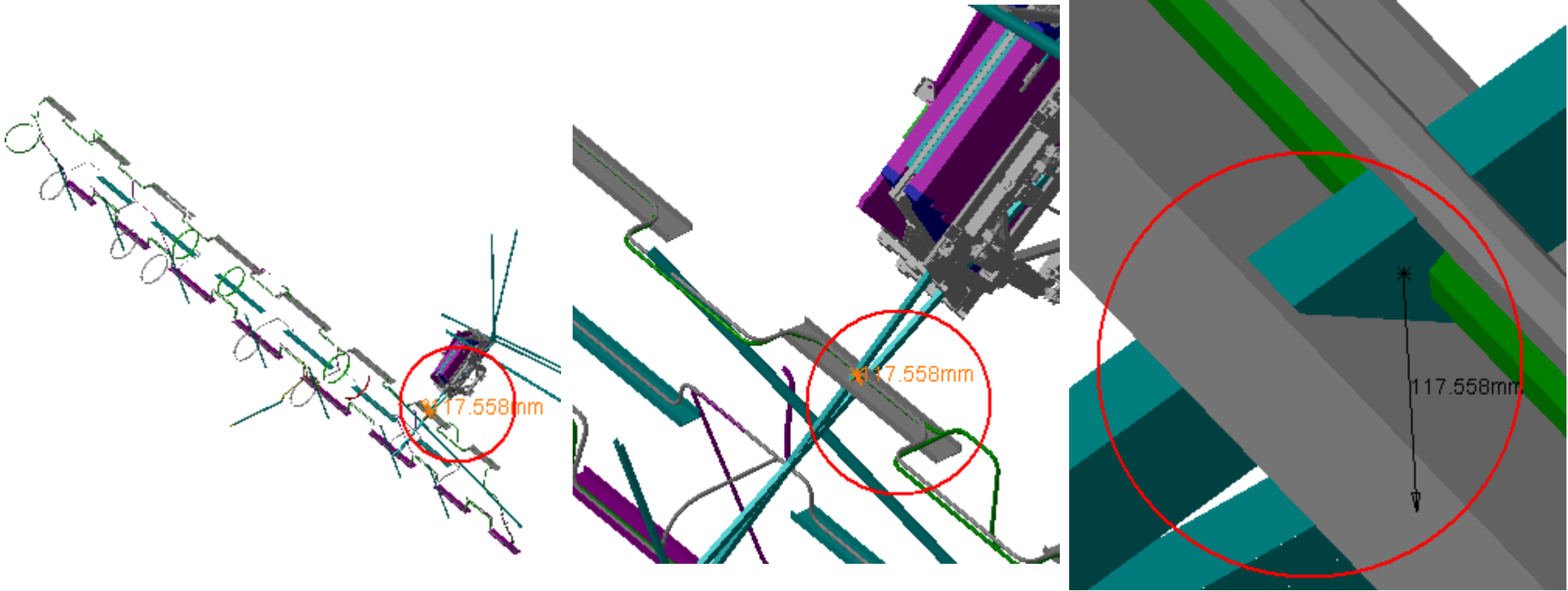
Side C

Sector 11

Clash View 1:

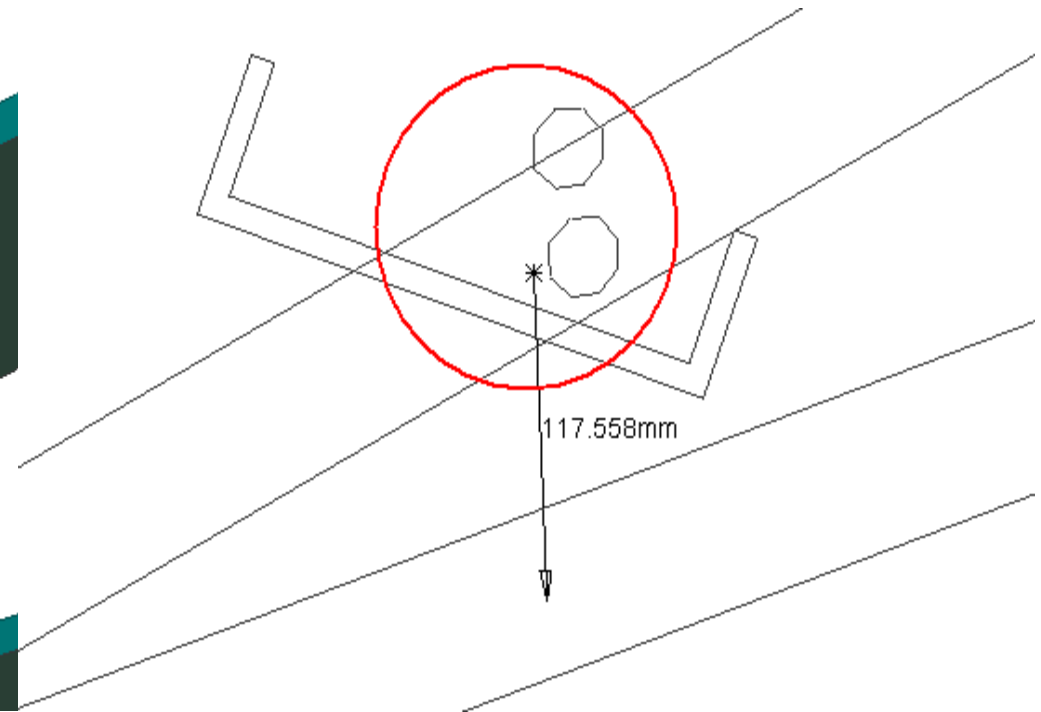
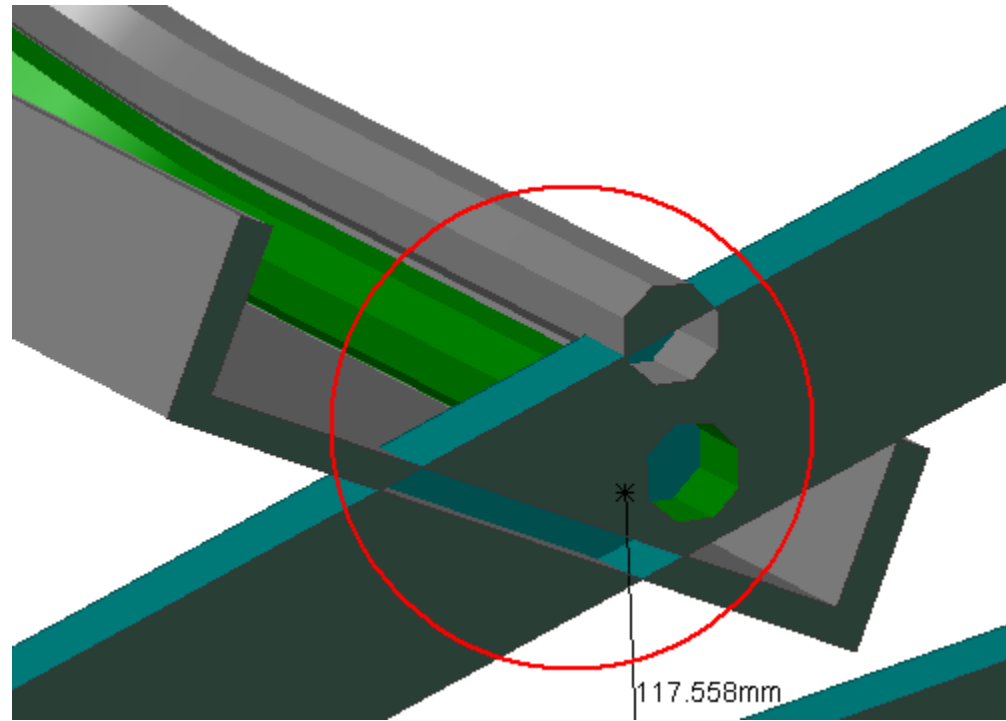


AT632633 MQ Alignment BAR EIL4, Side C, Sector 11	ATCNSM_0016 BT HEATER CABLE DISTRIBUTION - FOR FOOT REGION	Clash	-117.56mm	Not inspected
--	---	-------	-----------	---------------

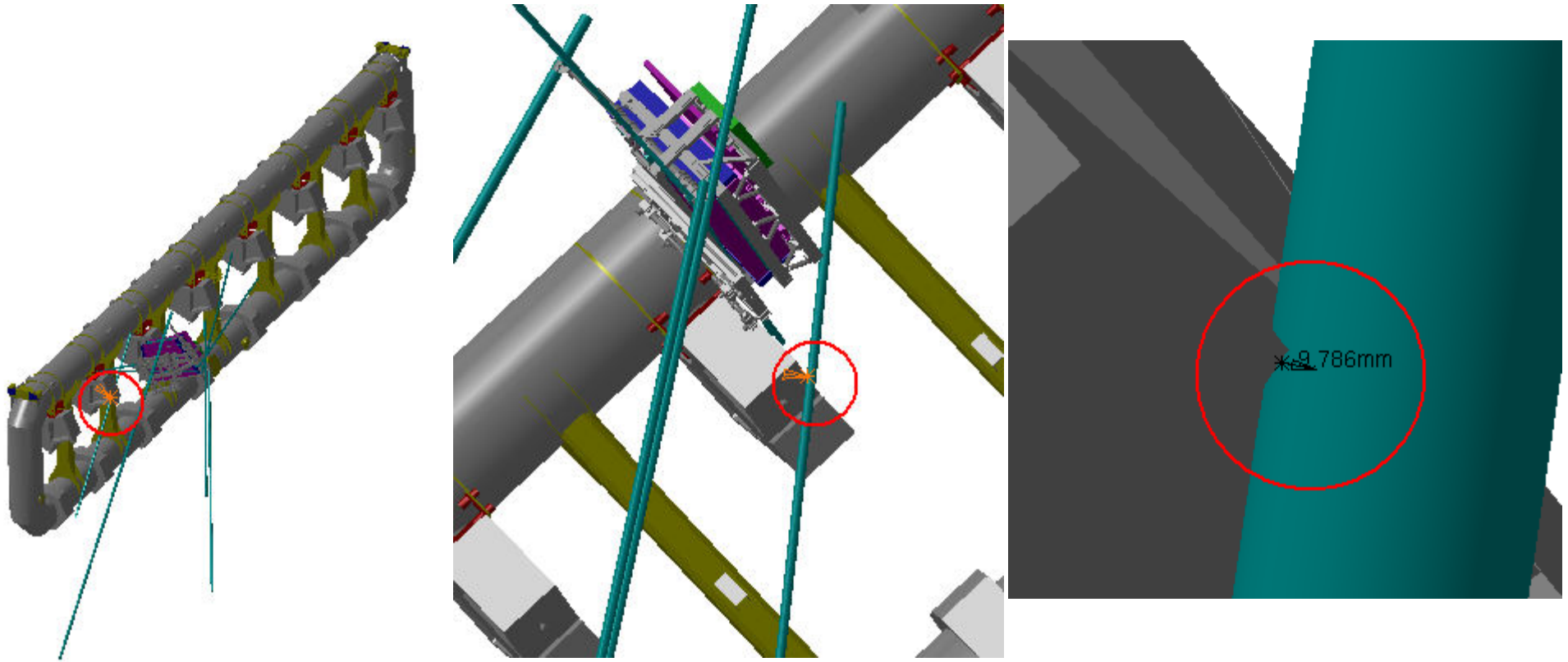


Side C
Sector 11

Clash View 1:

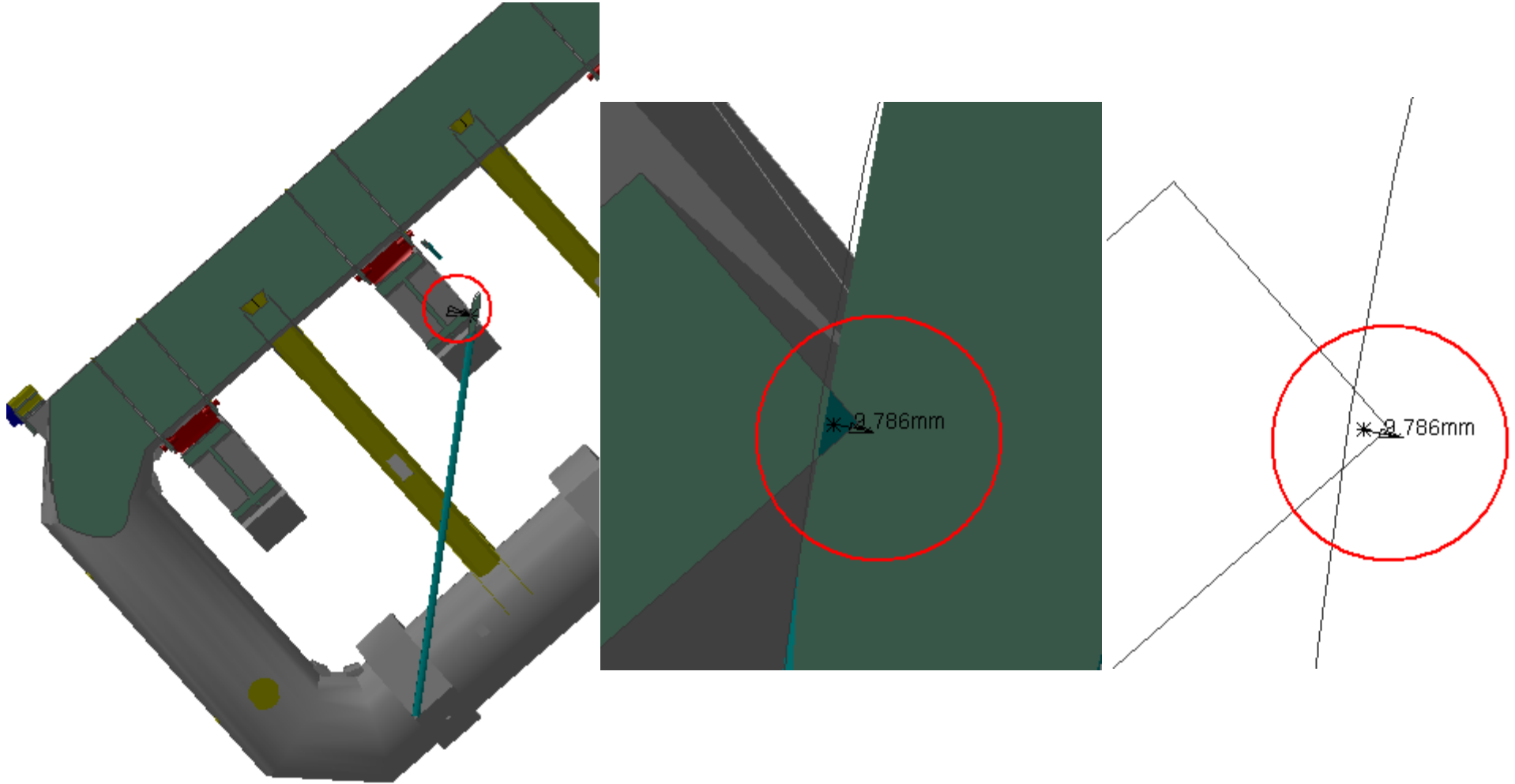


AT632633 MQ Alignment BAR EIL4, Side C, Sector 11	ATCNTB_0002 TB FEET COIL - SECTOR 12	Clash	-9.79mm	Not inspected
--	---	-------	---------	---------------

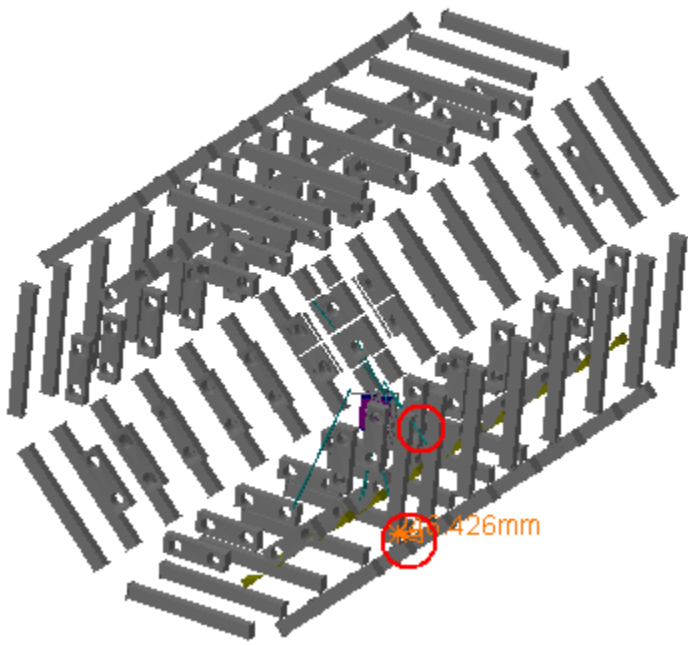


Side C
Sector 11

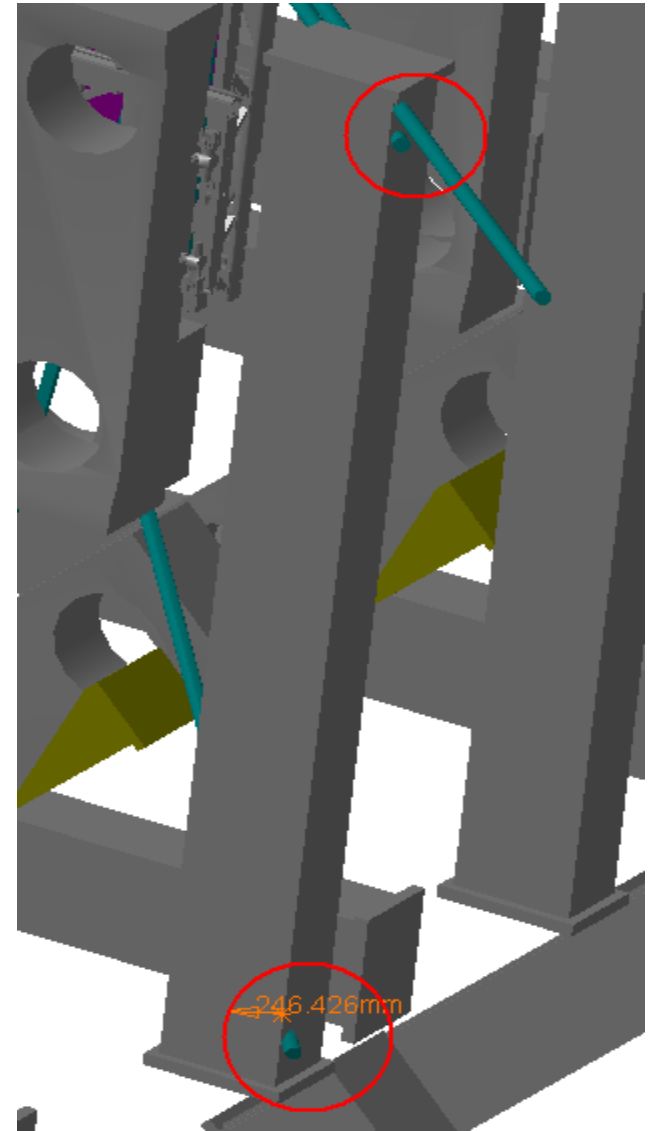
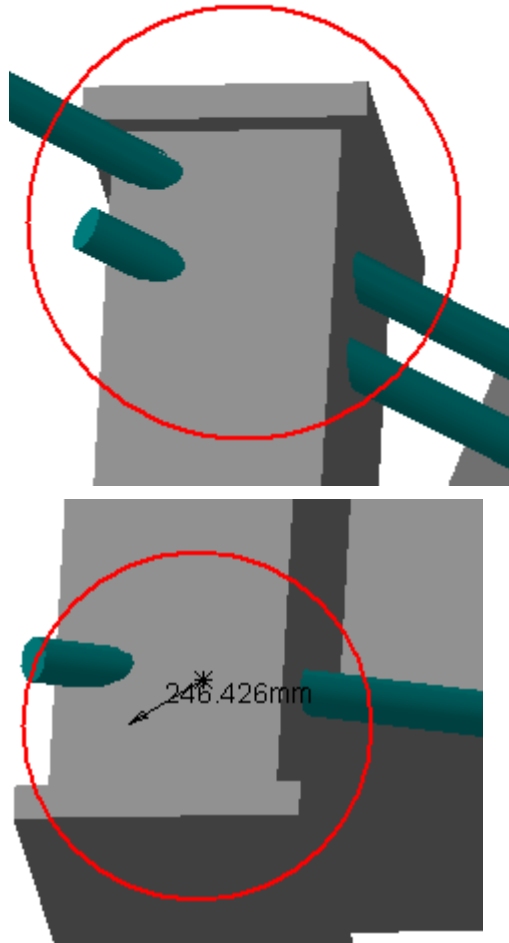
Clash View 1:



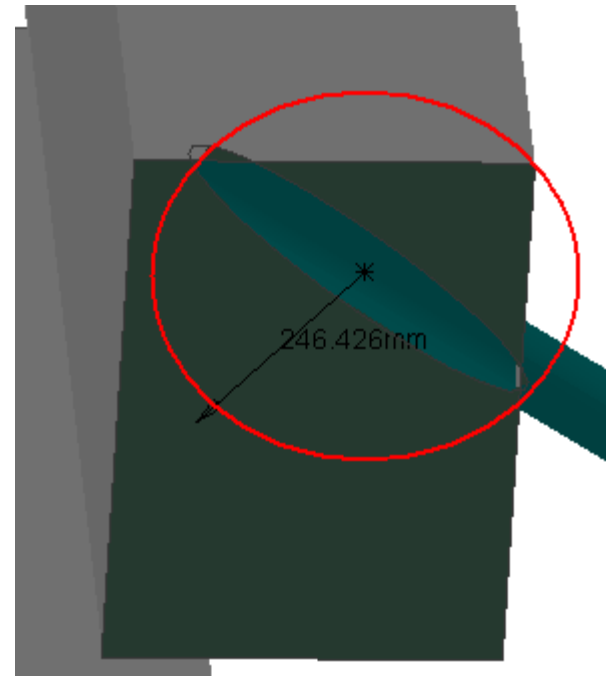
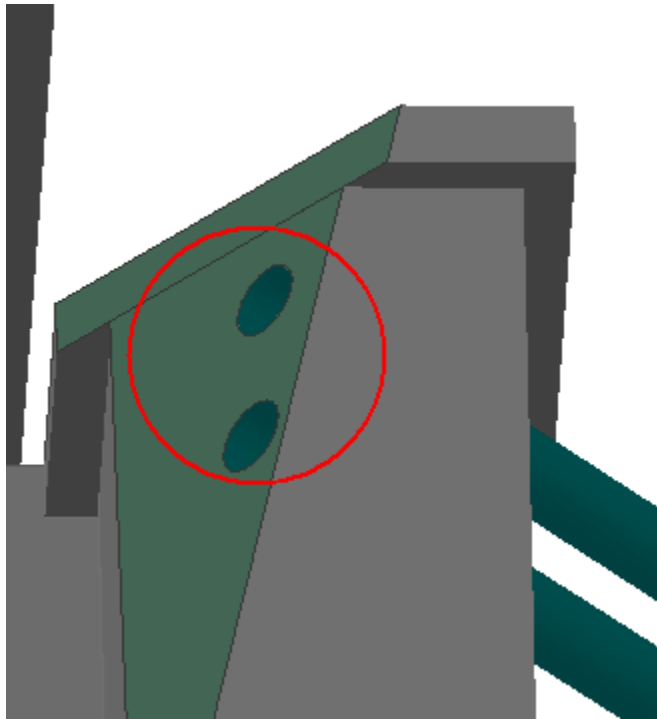
AT632633 MQ Alignment BAR EIL4, Side C, Sector 11	ATCNTB_0003 TB WARM STRUCTURE - SIMPLIFIED 3-D OBJECT	Clash	-246.43mm	Not inspected
--	---	-------	-----------	---------------



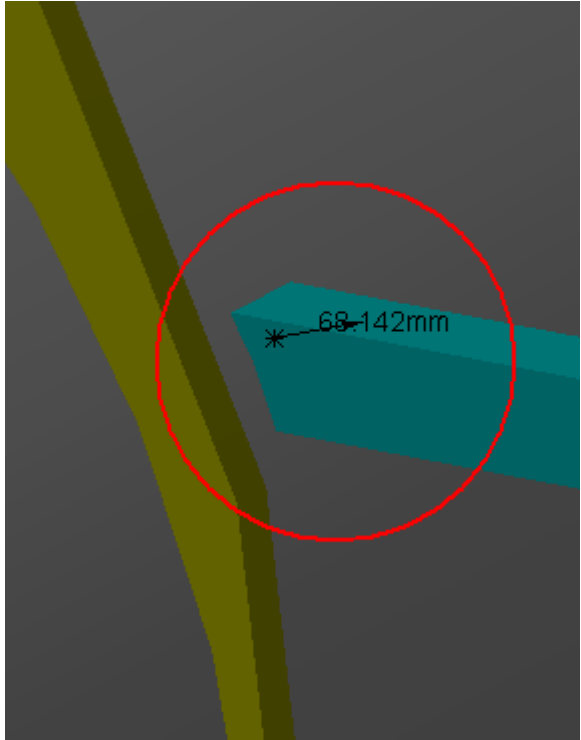
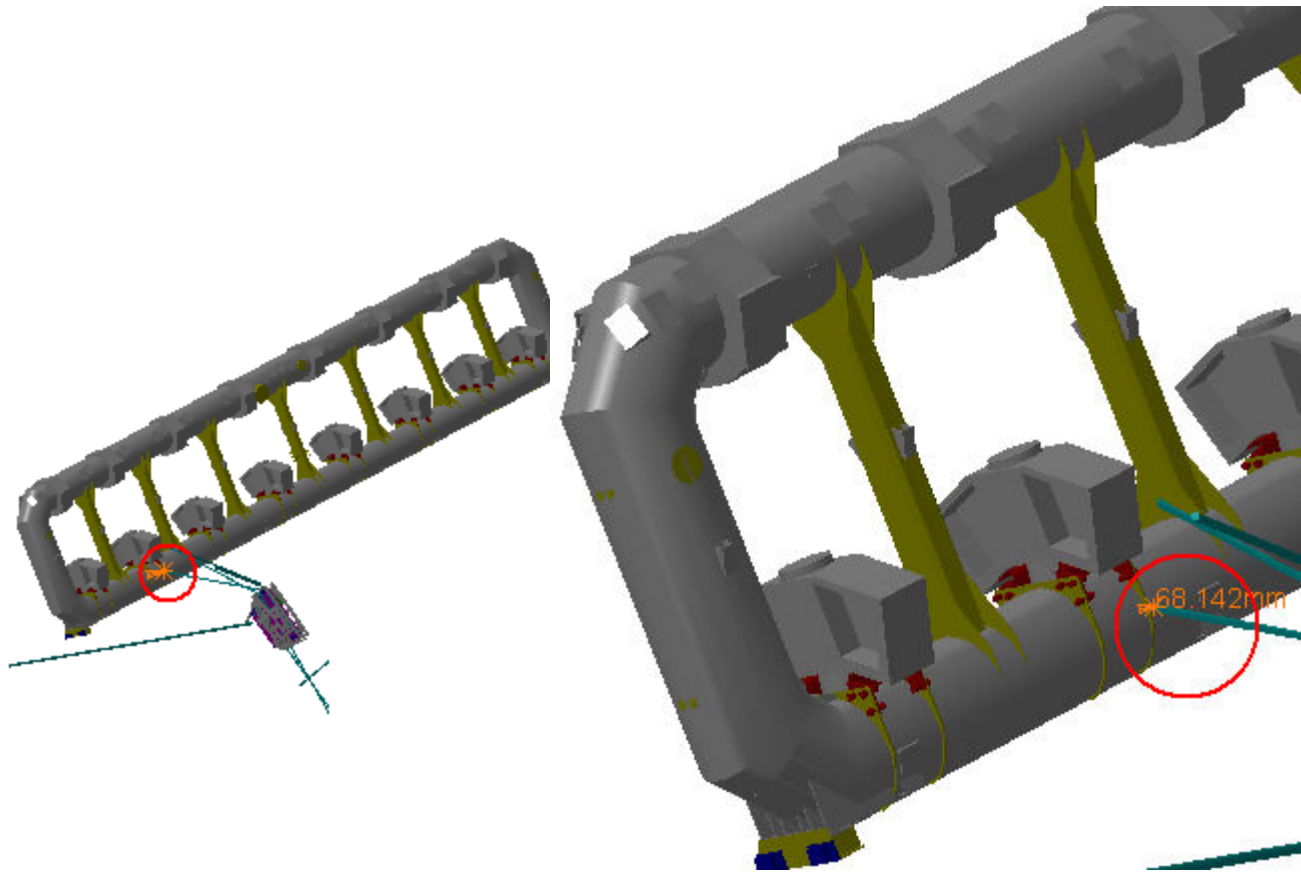
Side C
Sector 11



Clash View 1:



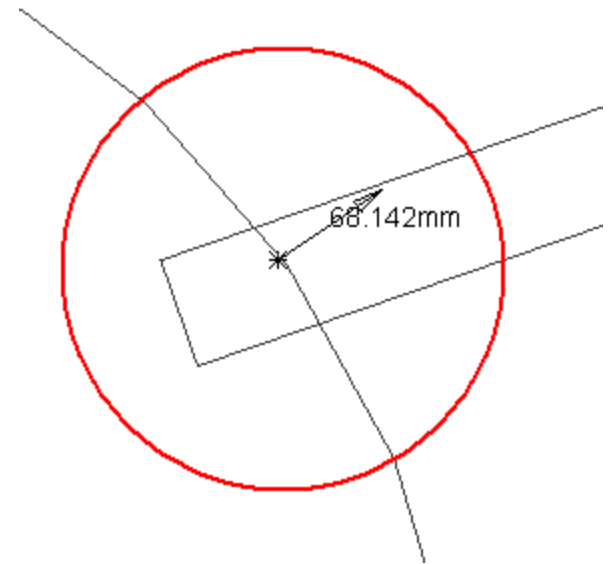
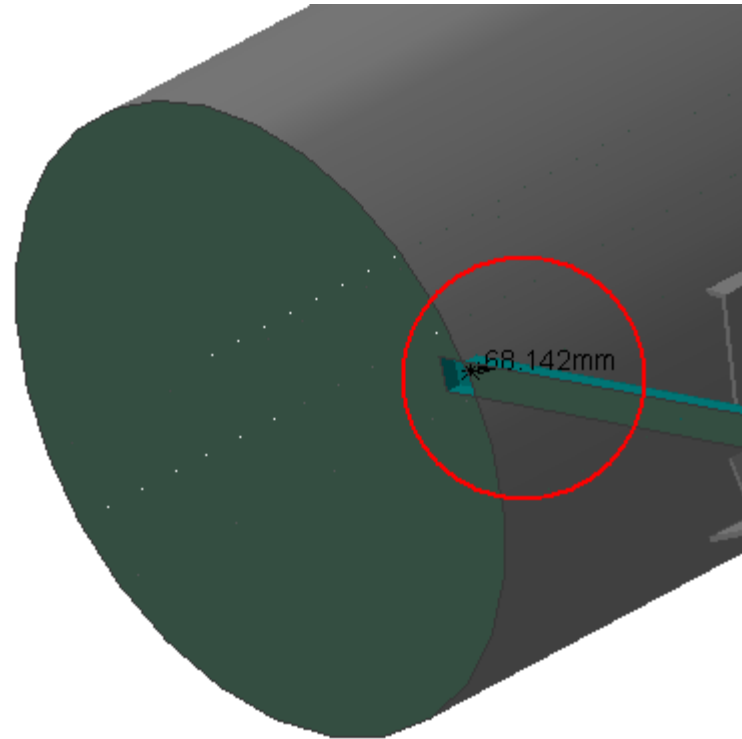
AT632633 MQ Alignment BAR EIL4, Side C, Sector 11	ATCNTB_0001 BT8 TB STANDARD COIL - SECTORS 8	Clash	-68.93mm	Not inspected
--	---	-------	----------	---------------



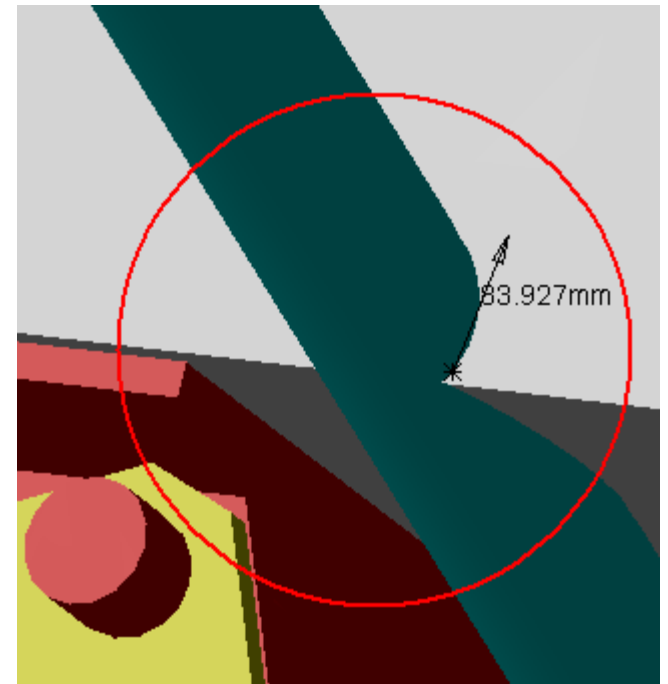
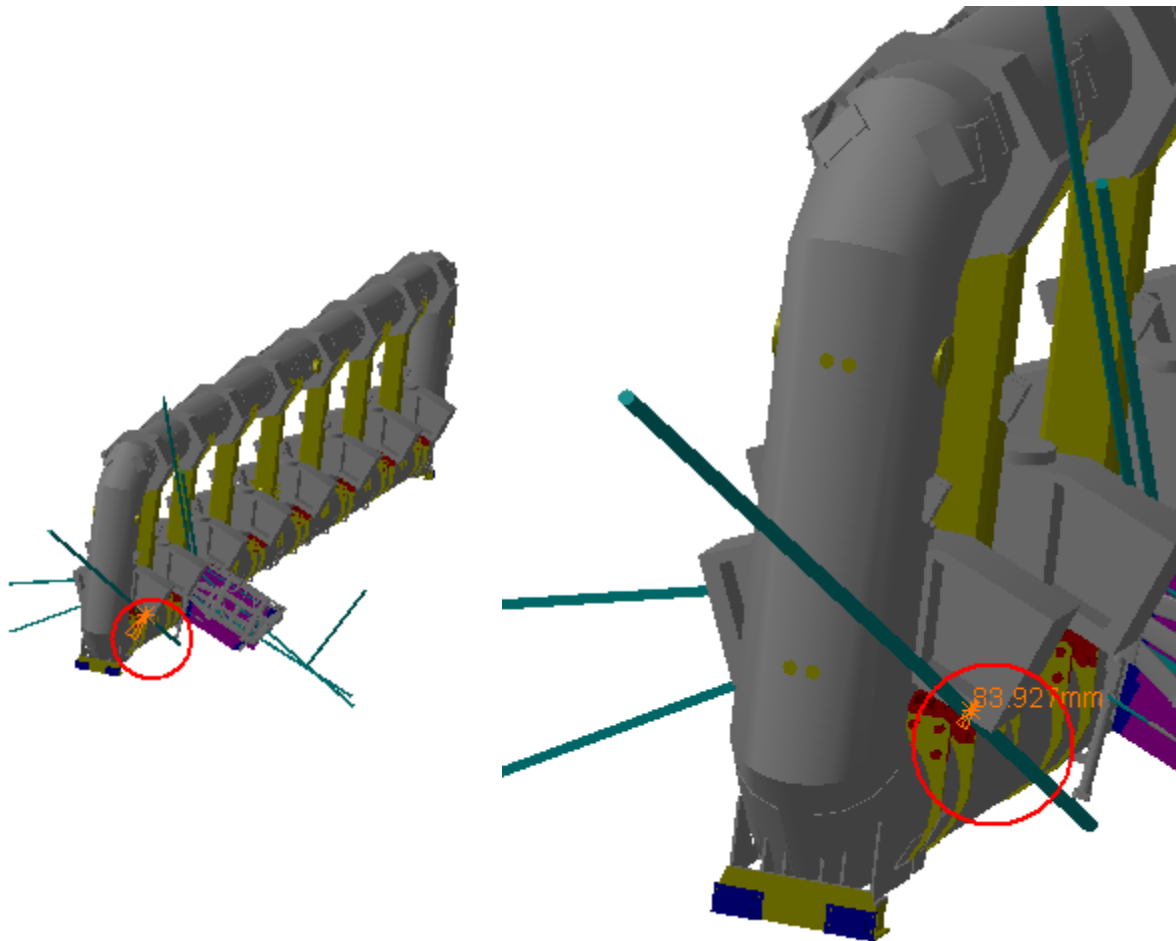
Side C

Sector 11

Clash View 1:

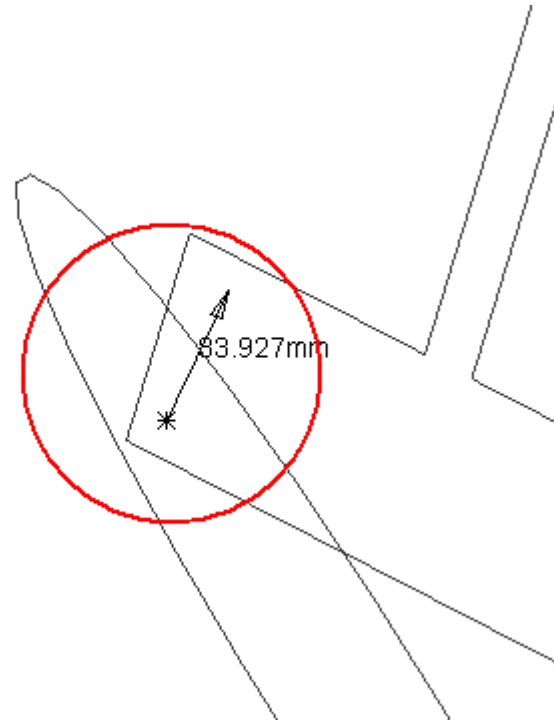


AT632633 MQ Alignment BAR EIL4, Side C, Sector 11	ATCNTB_0001 BT10 TB STANDARD COIL - SECTORS 10	Clash	-83.93mm	Not inspected
--	---	-------	----------	---------------

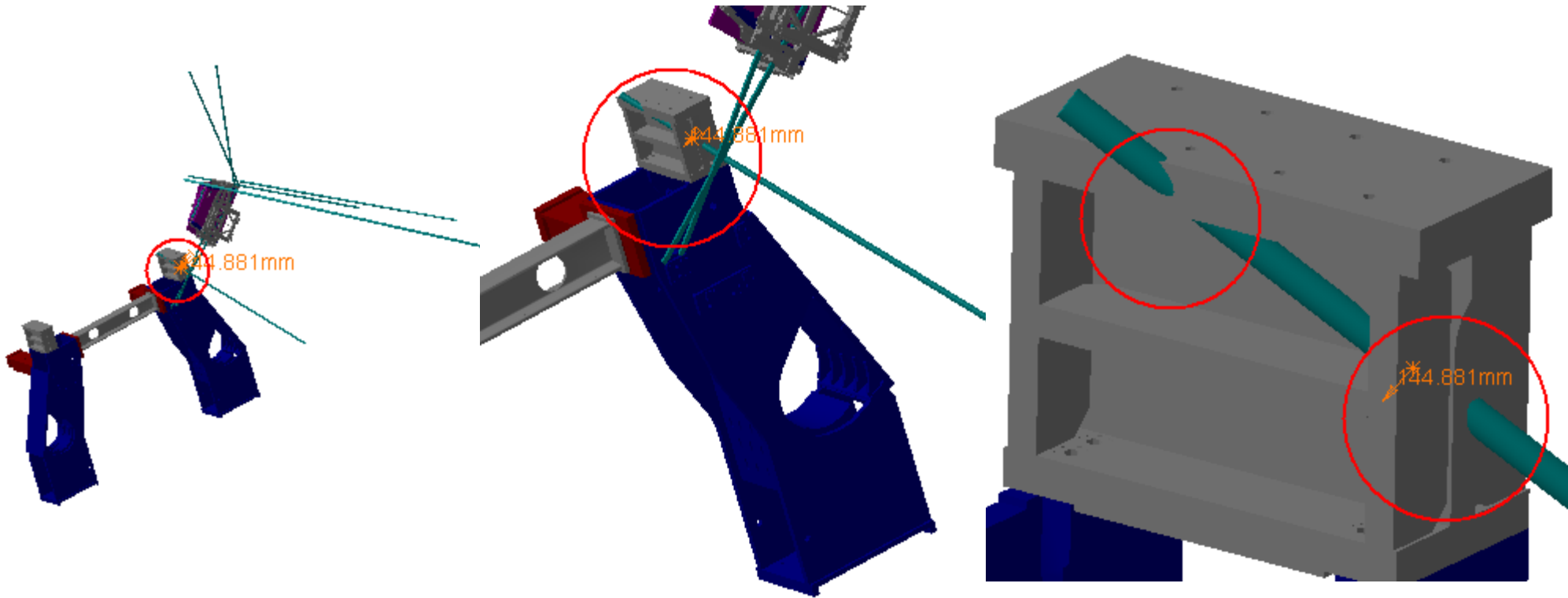


Side C
Sector 11

Clash View 1:

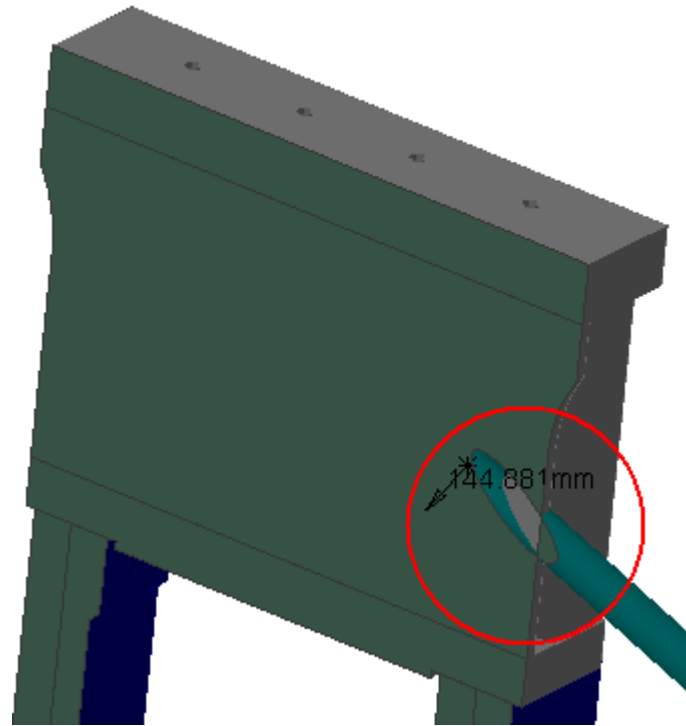
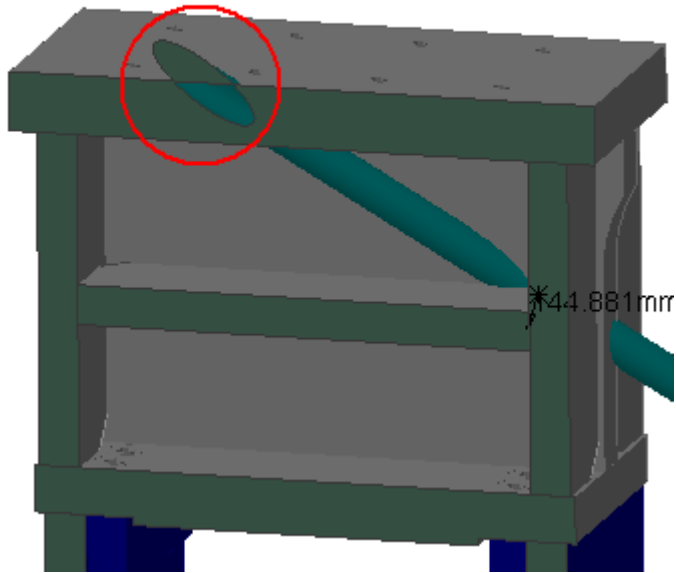


AT632633 MQ Alignment BAR EIL4, Side C, Sector 11	ATCVHB_0003 M STANDARD PAIR OF FEET A2 (C2) - DETAILED MODEL FOR STANDARDS	Clash	-144.88mm	Not inspected
--	--	-------	-----------	---------------

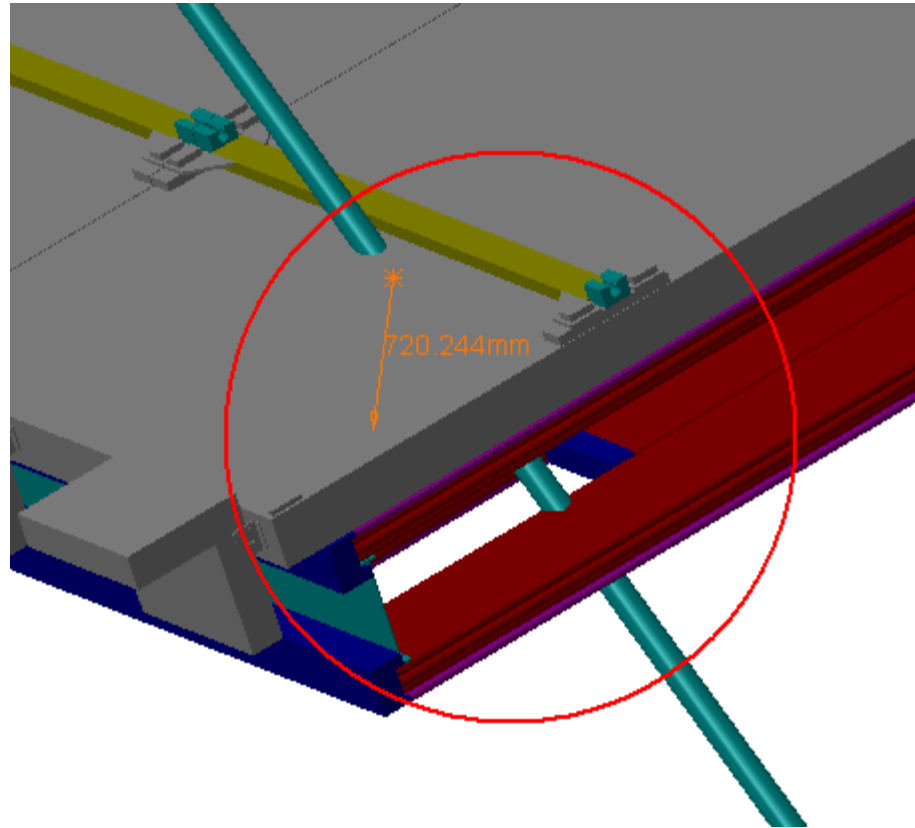
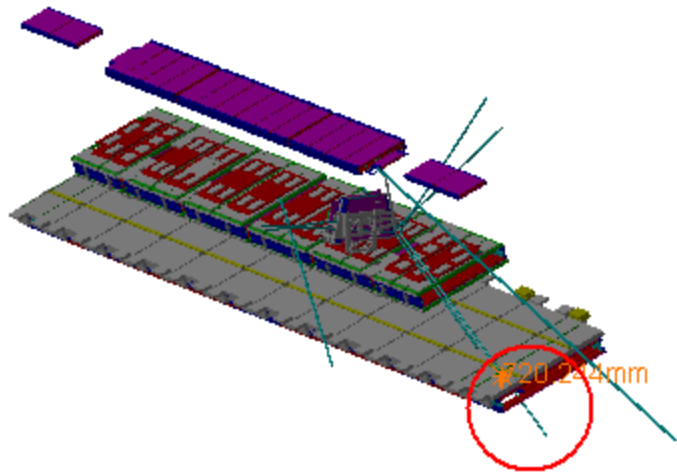


Side C
 Sector 11

Clash View 1:

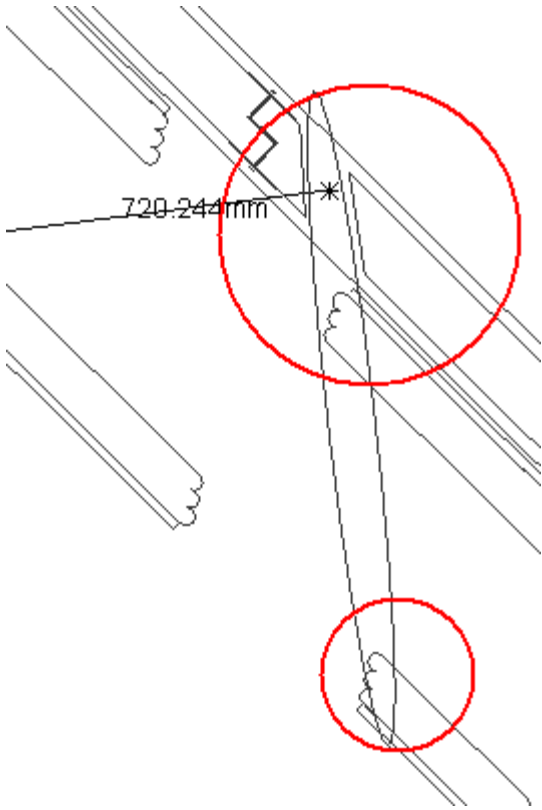
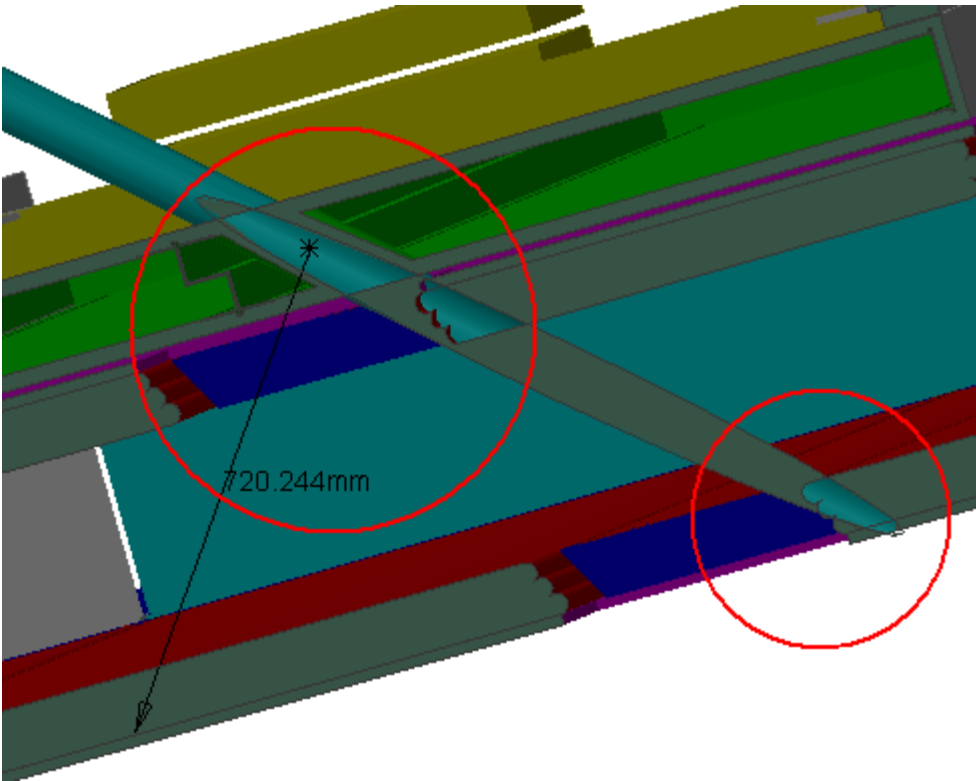
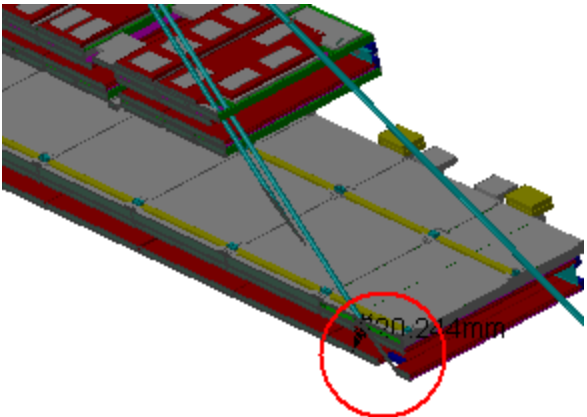


AT632633 MQ Alignment BAR EIL4, Side C, Sector 11	AT602168MQ MCB Muon Barrel Chambers Detailed	Clash	-720.24 mm	Not inspected
--	---	-------	------------	---------------

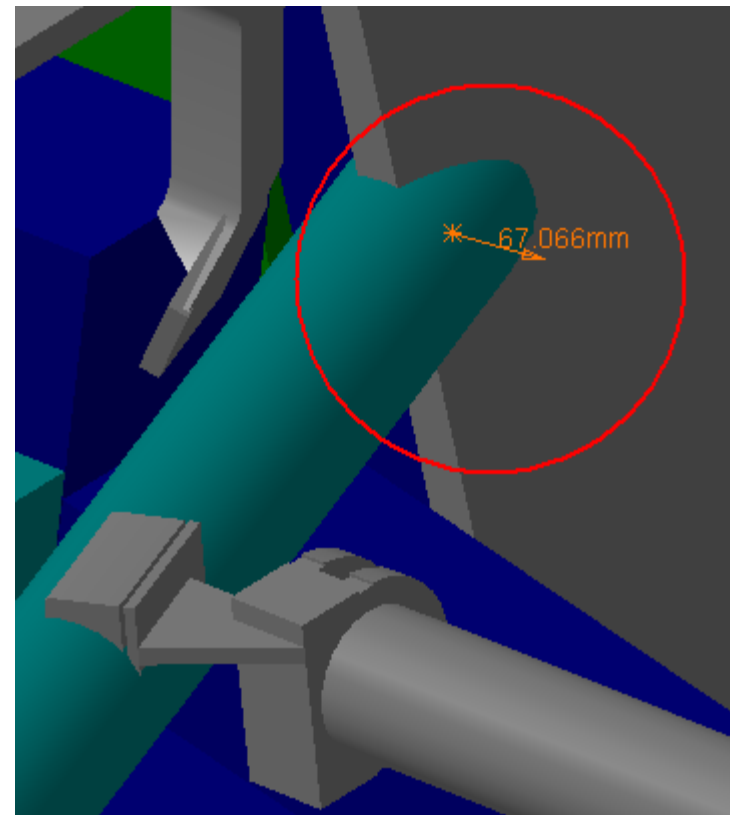
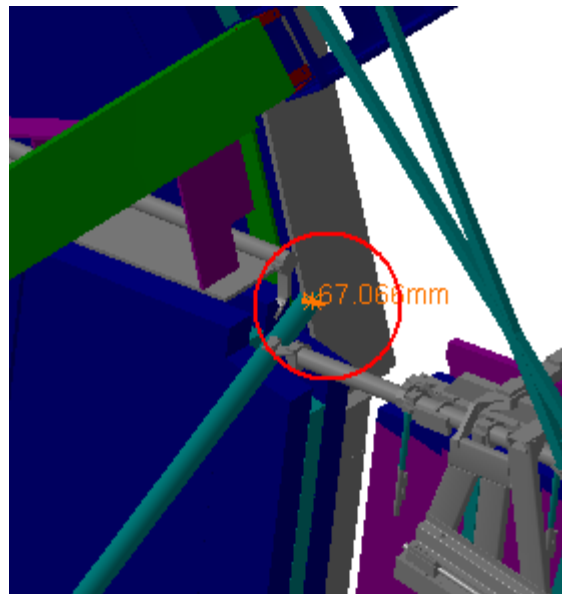
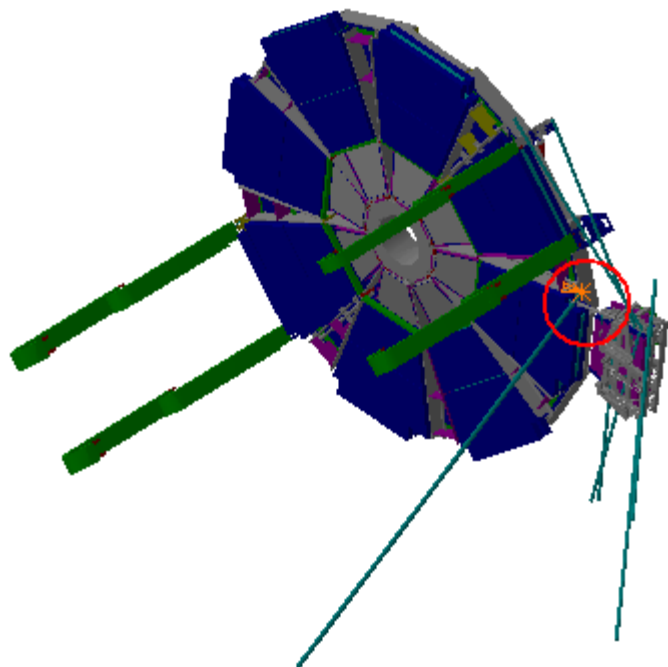


Side C
Sector 11

Clash View 1:



AT632633 MQ Alignment BAR EIL4, Side C, Sector 11	AT602168MQ MCB Muon Barrel Chambers Detailed	Clash	-720.24 mm	Not inspected
--	---	-------	------------	---------------



Side C
Sector 11

Clash View 1:

