

Clearance Publish

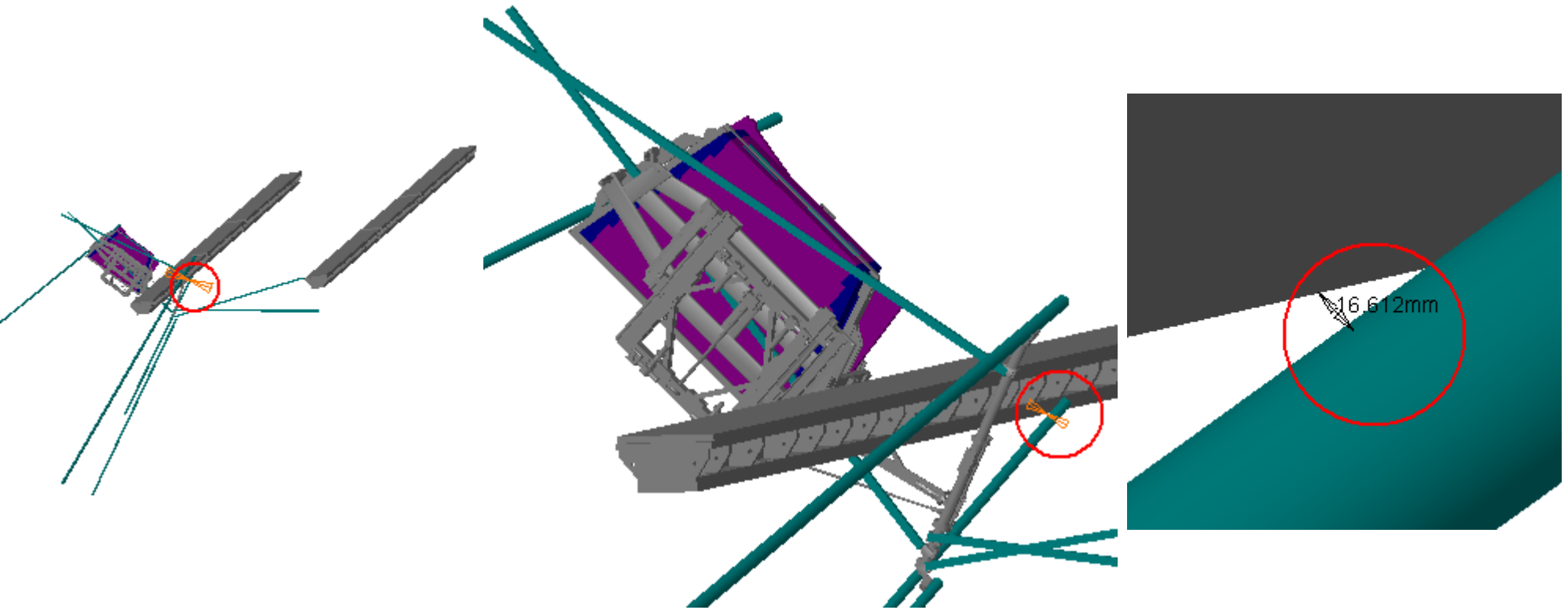
Clearance=50mm



Clearance Computation Specification			
Products Selected			
AT632635 MQ Alignment BAR EIL4, Side C, Sector 15	ATCVHB_0006 CENTRAL PAIR OF FEET B - DETAILED MODEL FOR STANDARDS	16.61	Not inspected
	ATCNSE_0008 EXTENDED TILE AIR-PAD CHAIN - IN DIFFERENT POSITIONS	46.75	
	AT602342 MCB Muon Barrel Chambers Detailed Sec 16	13.41	
	AT602167MQ MCB Muon Barrel Chambers Detailed Sec 15	0	Not inspected

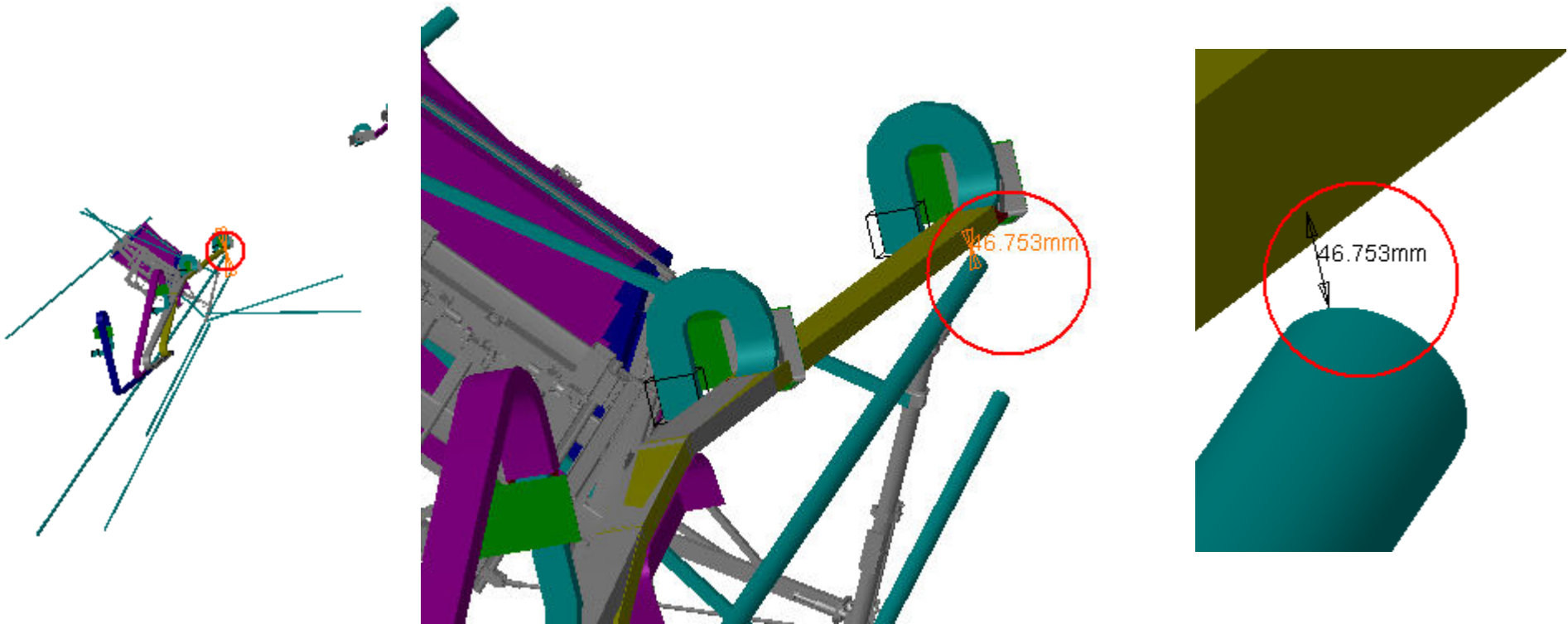
Computation Result:

AT632635 MQ Alignment BAR EIL4, Side C, Sector 15	ATCVHB_0006 CENTRAL PAIR OF FEET B - DETAILED MODEL FOR STANDARDS	Vector coordinate $\Delta X=14.48\text{mm}$ $\Delta Y=-0.1\text{mm}$ $\Delta Z=8.13\text{mm}$	16.61mm	Not inspected
--	---	--	---------	---------------



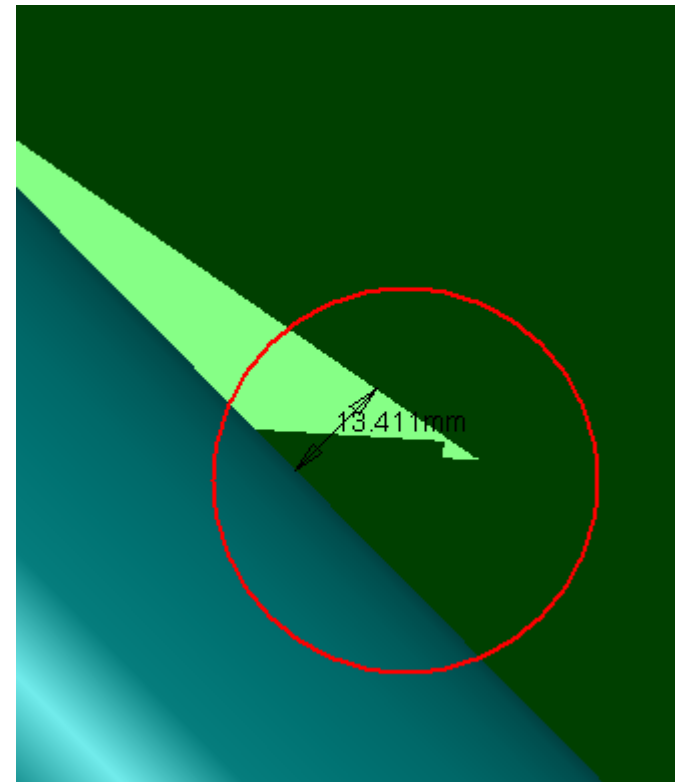
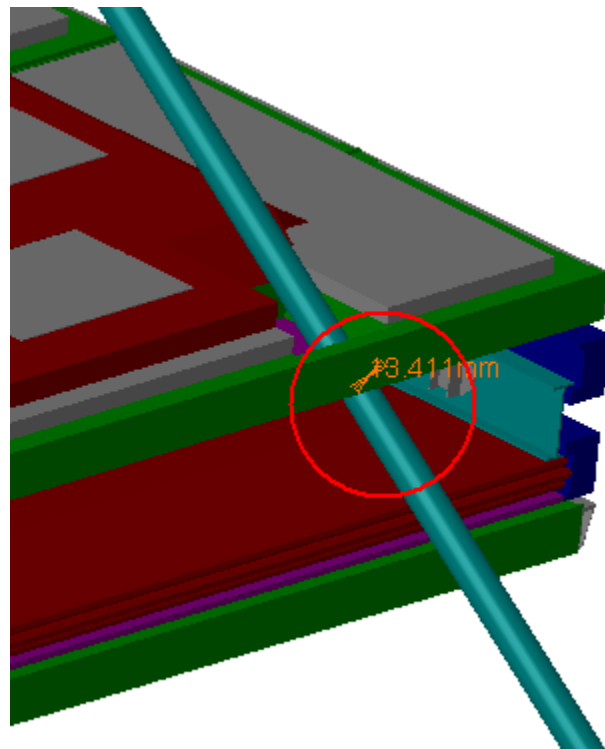
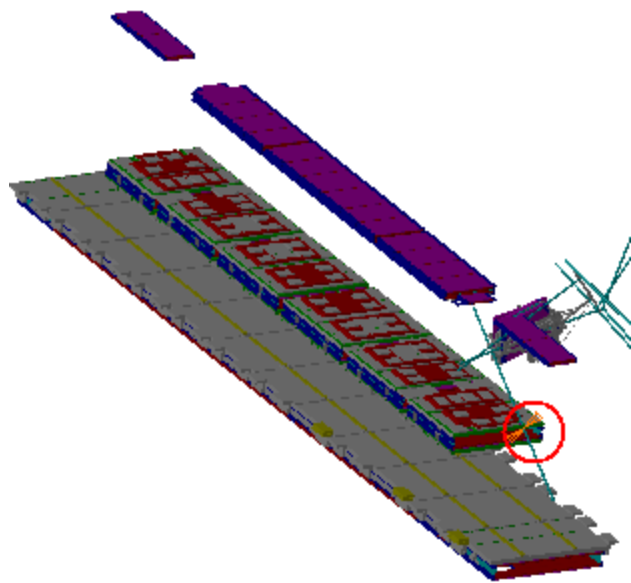
Side C
Sector 15

AT632635 MQ Alignment BAR EIL4, Side C, Sector 15	ATCNSE_0008 EXTENDED TILE AIR- PAD CHAIN - IN DIFFERENT POSITIONS	Vector coordinate $\Delta X=0\text{mm}$ $\Delta Y=-0.58\text{mm}$ $\Delta Z=46.75\text{mm}$	46.75mm	Not inspected
--	---	--	---------	---------------



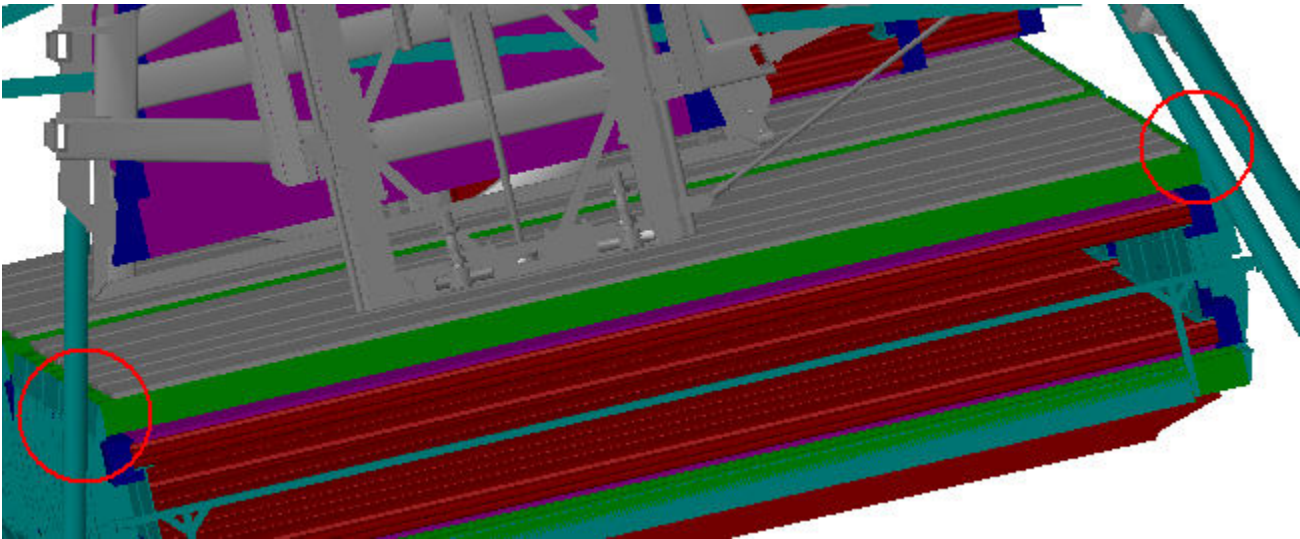
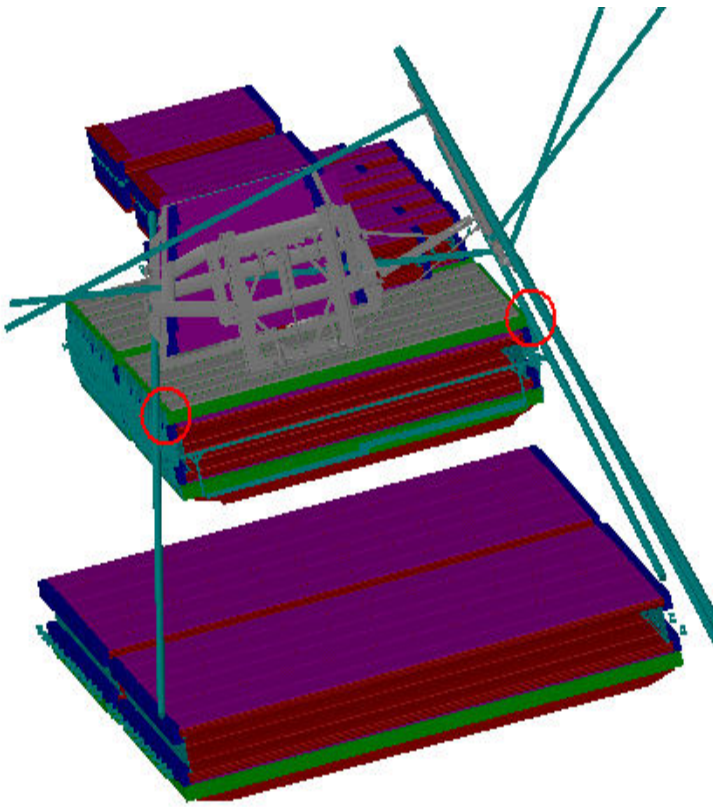
Side C
Sector 15

AT632635 MQ Alignment BAR EIL4, Side C, Sector 15	AT602342 MCB Muon Barrel Chambers Detailed Sec 16	Vector coordinate $\Delta X=-9.43\text{mm}$ $\Delta Y=8.65\text{mm}$ $\Delta Z=4.01\text{mm}$	13.41 mm	Not inspected
--	--	--	----------	---------------



Side C
Sector 15

AT632635 MQ Alignment BAR EIL4, Side C, Sector 15	AT602167MQ MCB Muon Barrel Chambers Detailed Sec 15	Contact	Not inspected
--	--	---------	---------------



Side C
Sector 15