



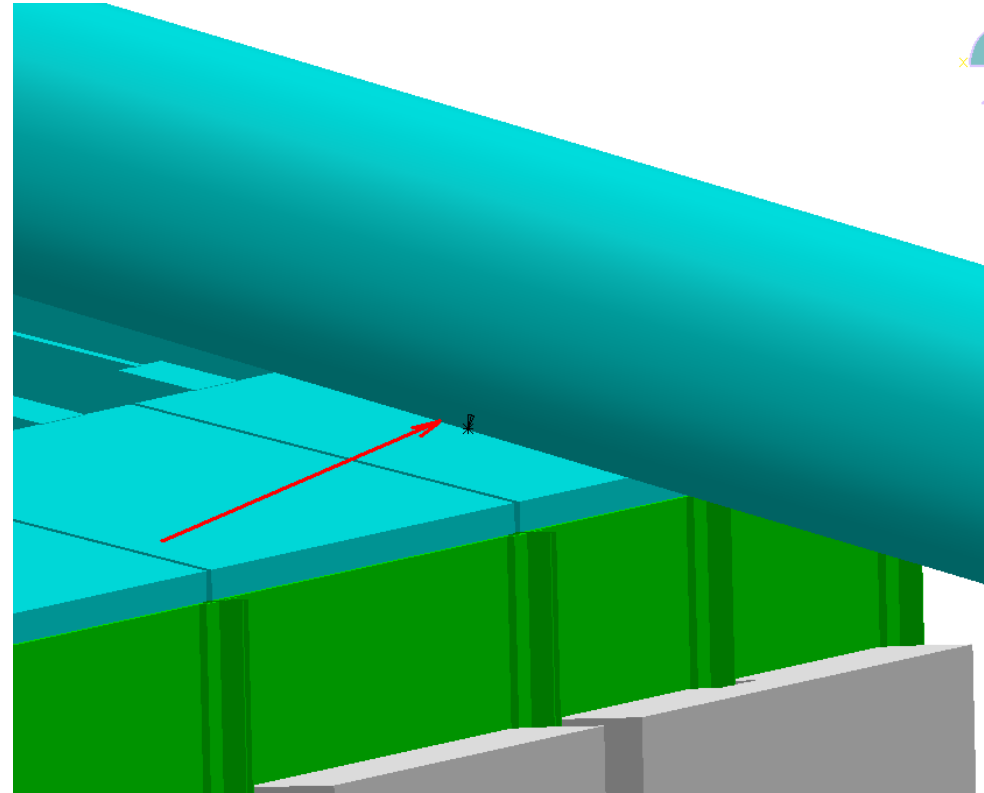
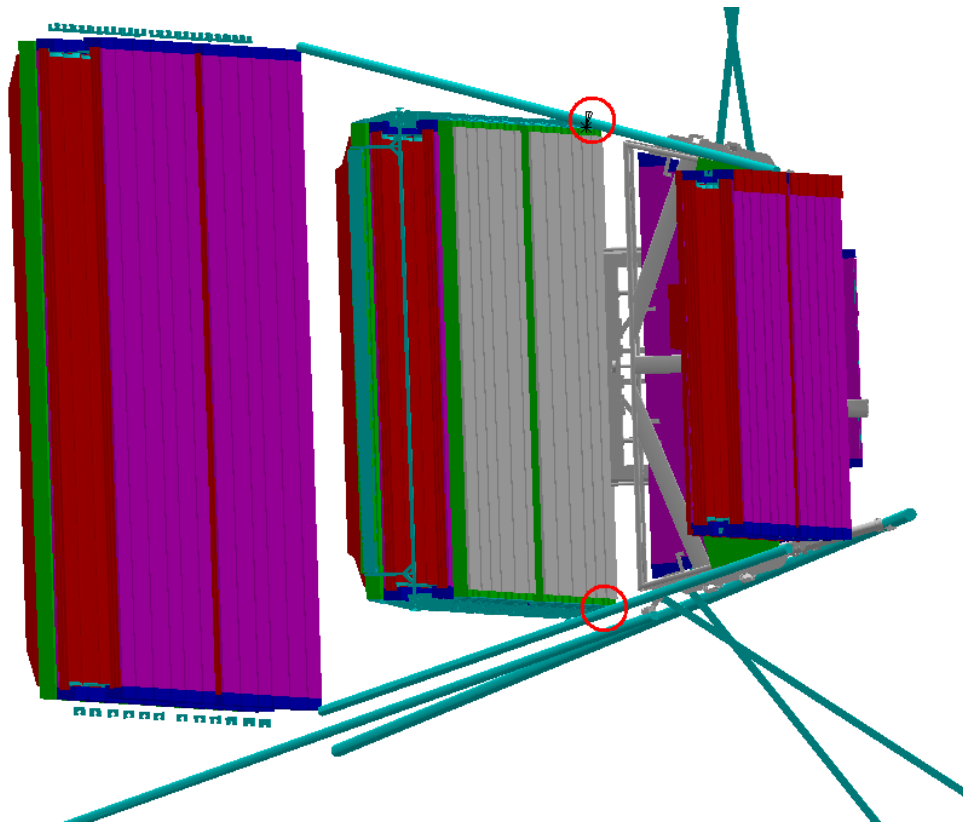
Clearance Publish

Clearance = 50mm

Clearance Computation Specification			
Products Selected		Value	Status
AT632803MQ - Frame + Alignment BAR EIL4, Side A, Sector 1	AT602152MQ - MCB MUON BARREL CHAMBERS DETAILED - SECTOR 1	0 mm	Not inspected
	VHB_0006 - ASSEMBLY OF RAILS - DETAILED MODEL FOR STANDARDS	16.4 mm	Not inspected
	AT602154MQ - MCB MUON BARREL CHAMBERS DETAILED. SECTOR 2	13.4 mm	Not inspected
	Z5_0002 - Z5 GLOBAL ENVELOPE (SIDE A) - AND LOCATION INTERFACES	23 mm	Not inspected

Computation Result:

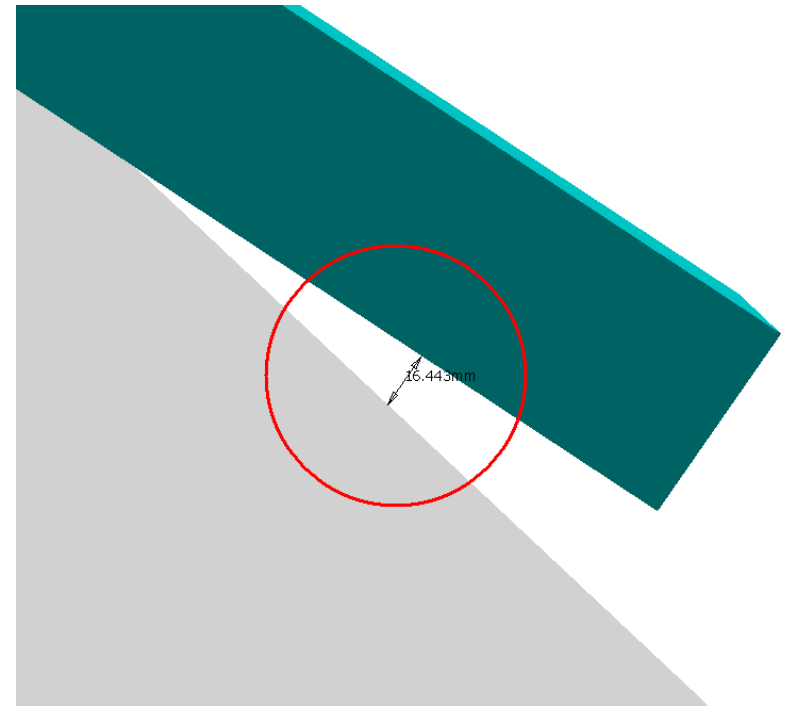
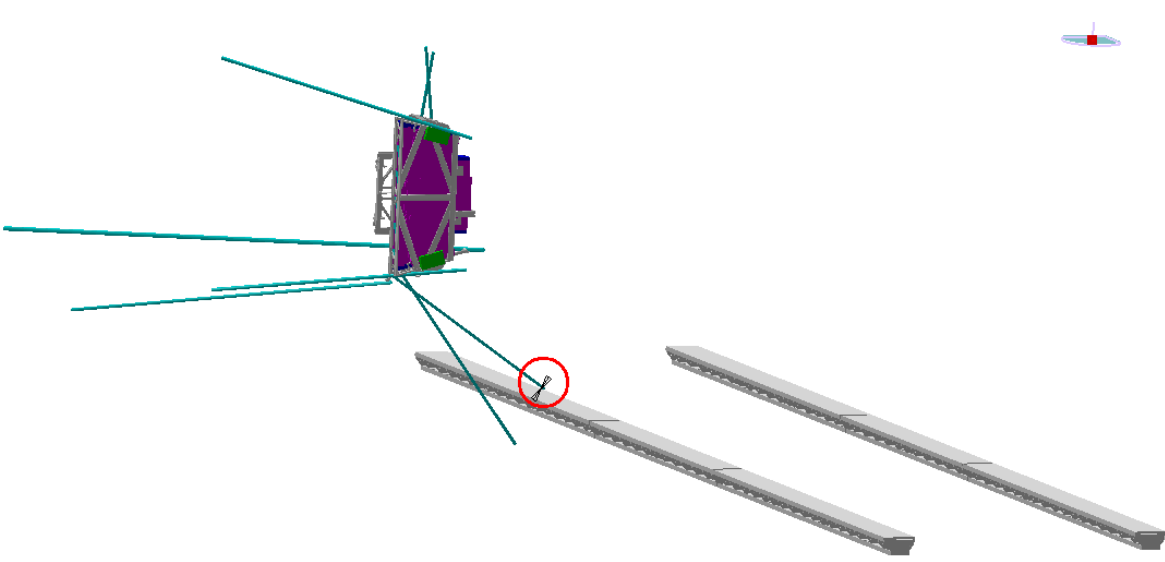
AT632803MQ - FRAME + ALIGNMENT BAR EIL4, SIDE A, SECTOR 1	AT602152MQ - MCB MUON BARREL CHAMBERS DETAILED - SECTOR 1	Contact	0 mm	Not inspected
--------------------------------------------------------------------------	----------------------------------------------------------------------	---------	------	---------------



SIDE A

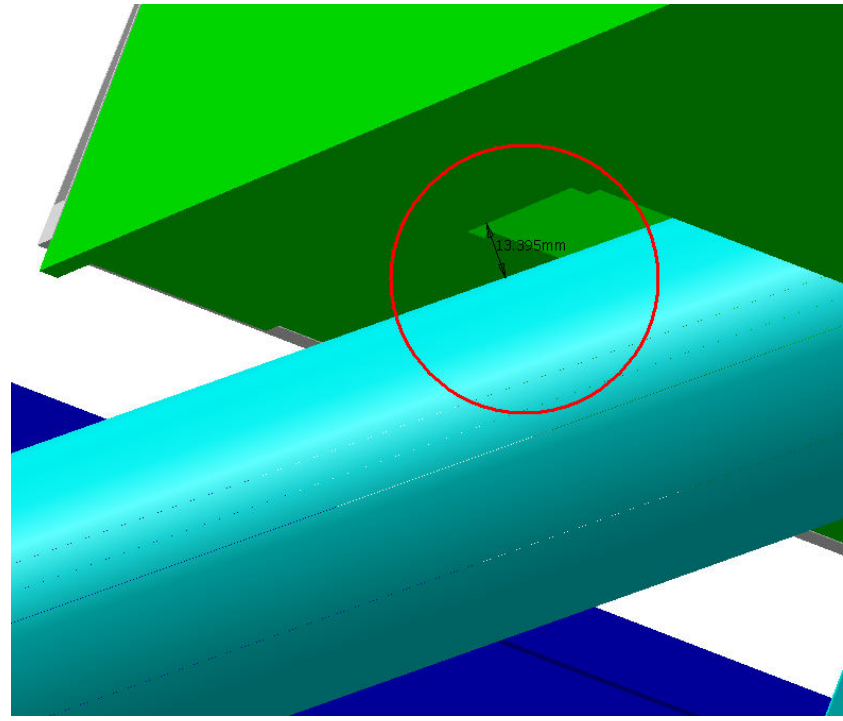
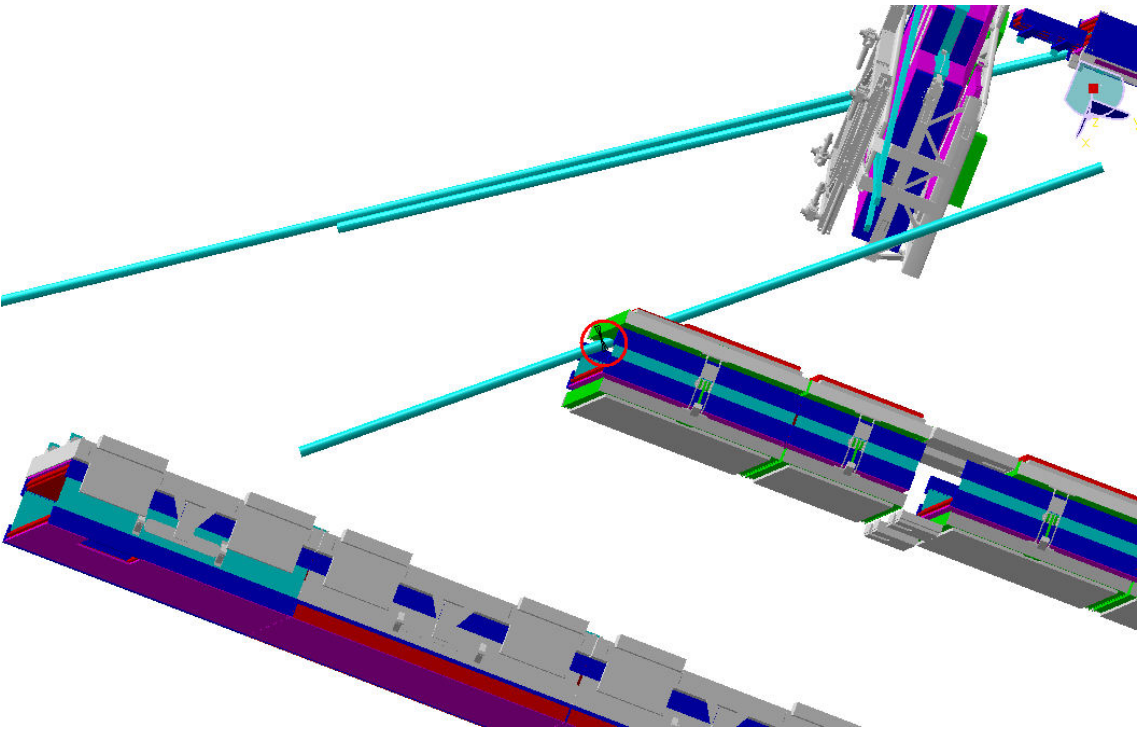
Sector 1

AT632803MQ - FRAME + ALIGNMENT BAR EIL4, SIDE A, SECTOR 1	VHB_0006 - ASSEMBLY OF RAILS - DETAILED MODEL FOR STANDARDS	Clearance	16.4 mm			Not inspected
			$\Delta X \approx 9.3$	$\Delta Y \approx 0.2$	$\Delta Z \approx -13.5$	



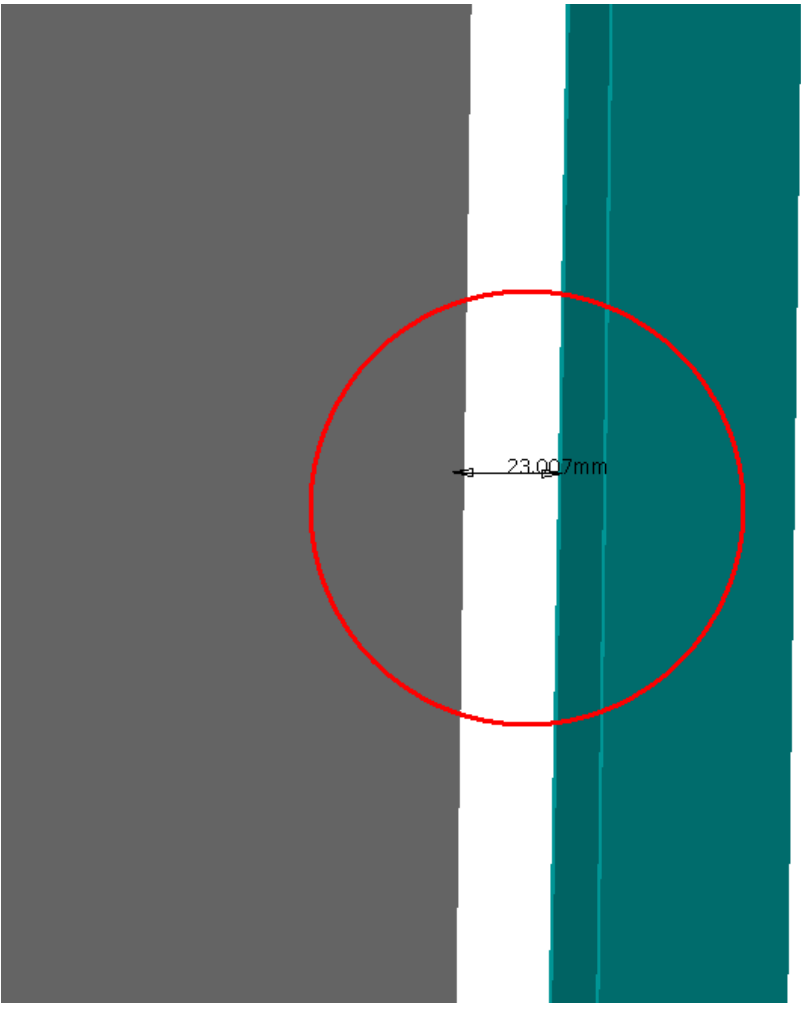
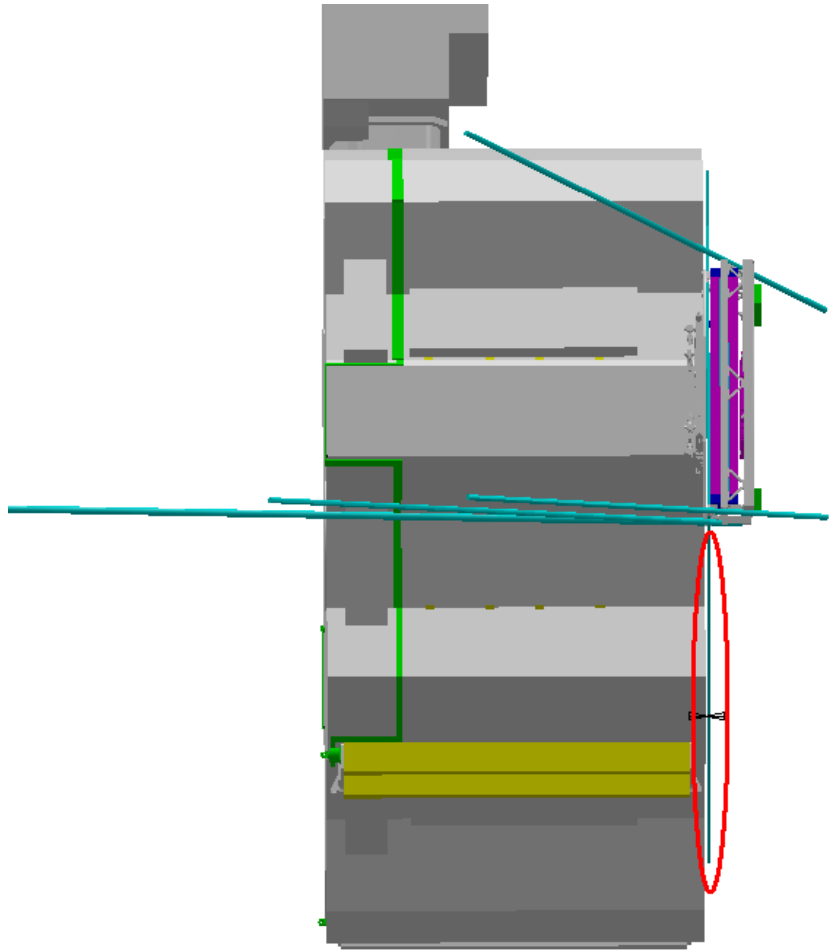
SIDE A
Sector 14

AT632803MQ - FRAME + ALIGNMENT BAR EIL4, SIDE A, SECTOR 1	AT602154MQ - MCB MUON BARREL CHAMBERS DETAILED. SECTOR 2	Clearance	13.4 mm			Not inspected
			$\Delta X \approx -9.4$	$\Delta Y \approx -8.6$	$\Delta Z \approx -4$	



SIDE A
Sector 2

AT632803MQ - FRAME + ALIGNMENT BAR EIL4, SIDE A, SECTOR 1	Z5_0002 - Z5 GLOBAL ENVELOPE (SIDE A) - AND LOCATION INTERFACES	Clearance	23 mm			Not inspected
			$\Delta X \approx 0$	$\Delta Y \approx -23$	$\Delta Z \approx 0$	



SIDE A
Sector 15