



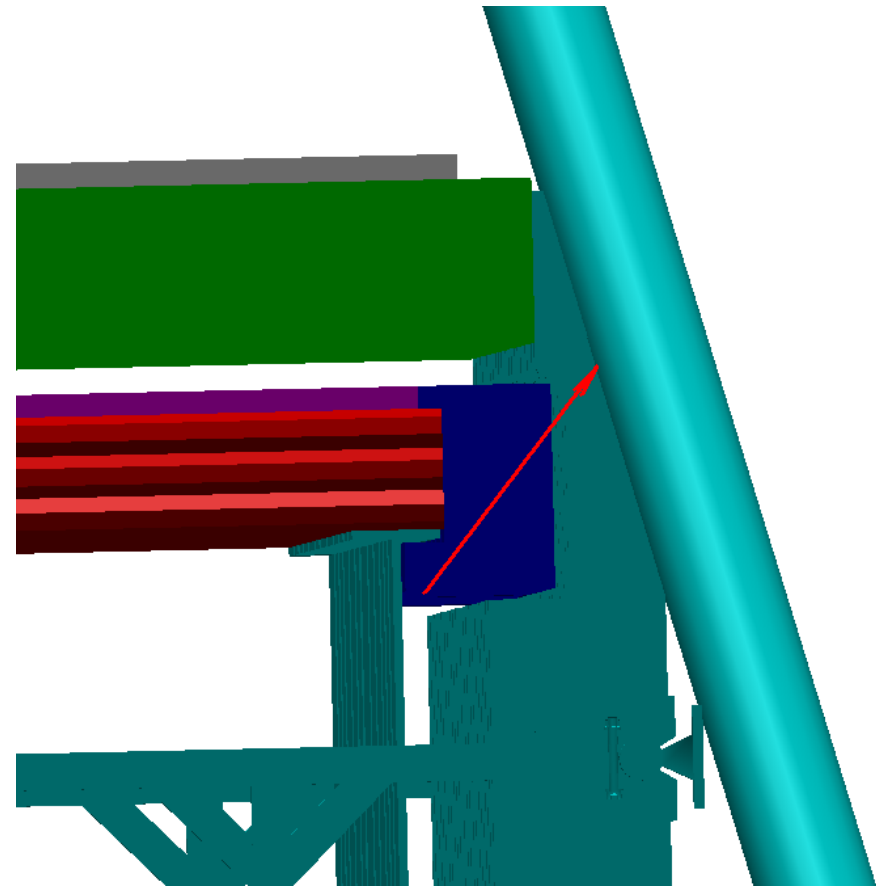
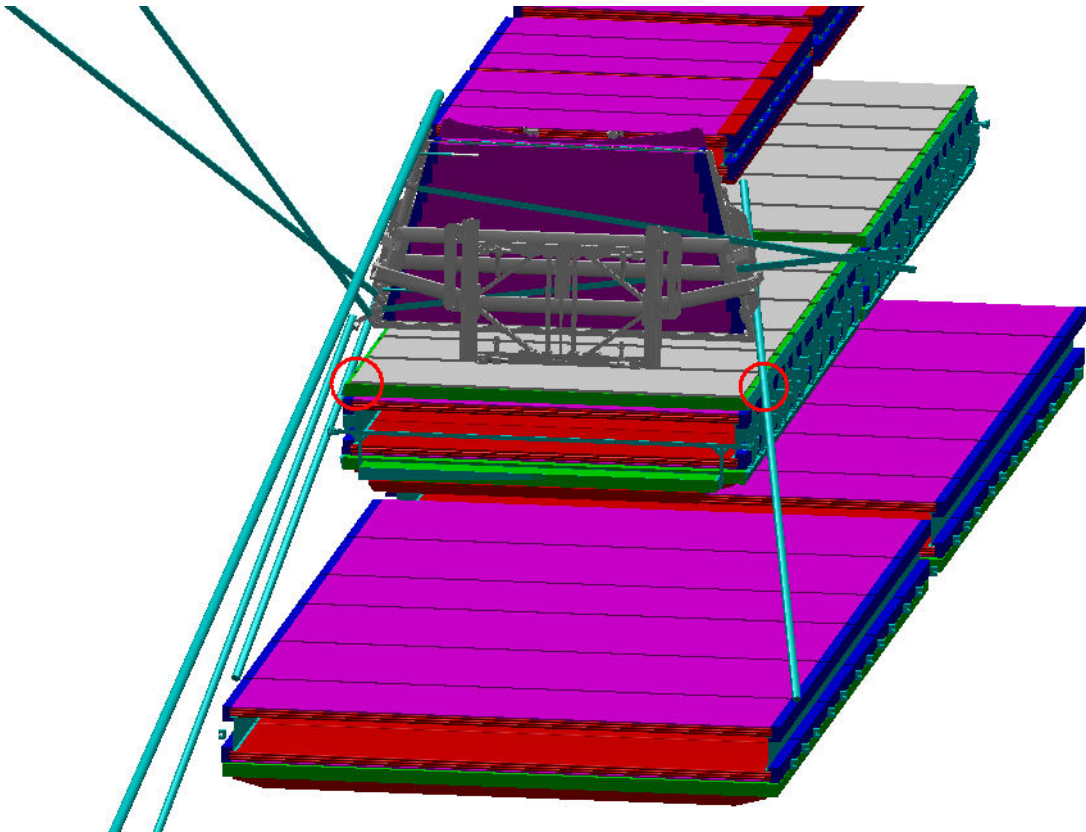
Clearance Publish

Clearance = 50mm

Clearance Computation Specification			
Products Selected		Value	Status
AT632804MQ - ALIGNMENT BAR EIL4, SIDE A, SECTOR 3	AT602155MQ - MUON BARREL CHAMBERS DETAILED - SECTOR 3	0 mm	Not inspected
	AT602154MQ SEC4 - MUON BARREL CHAMBERS DETAILED - SECTOR 4	13.5 mm	Not inspected
	Z5_0002 - Z5 GLOBAL ENVELOPE (SIDE A) - AND LOCATION INTERFACES	23 mm	Not inspected

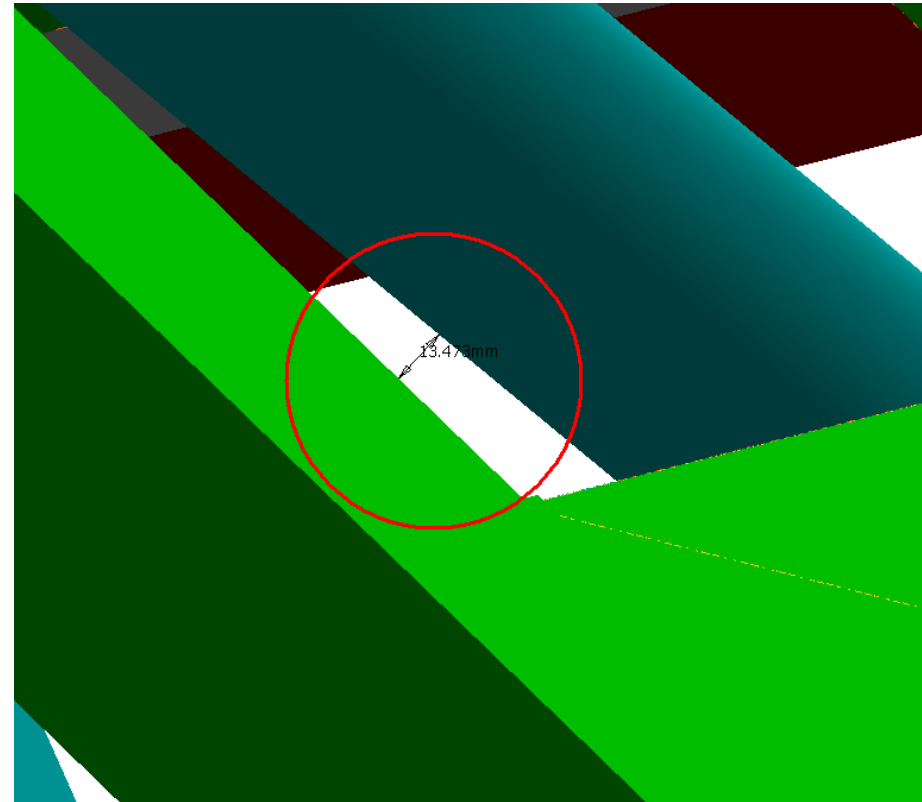
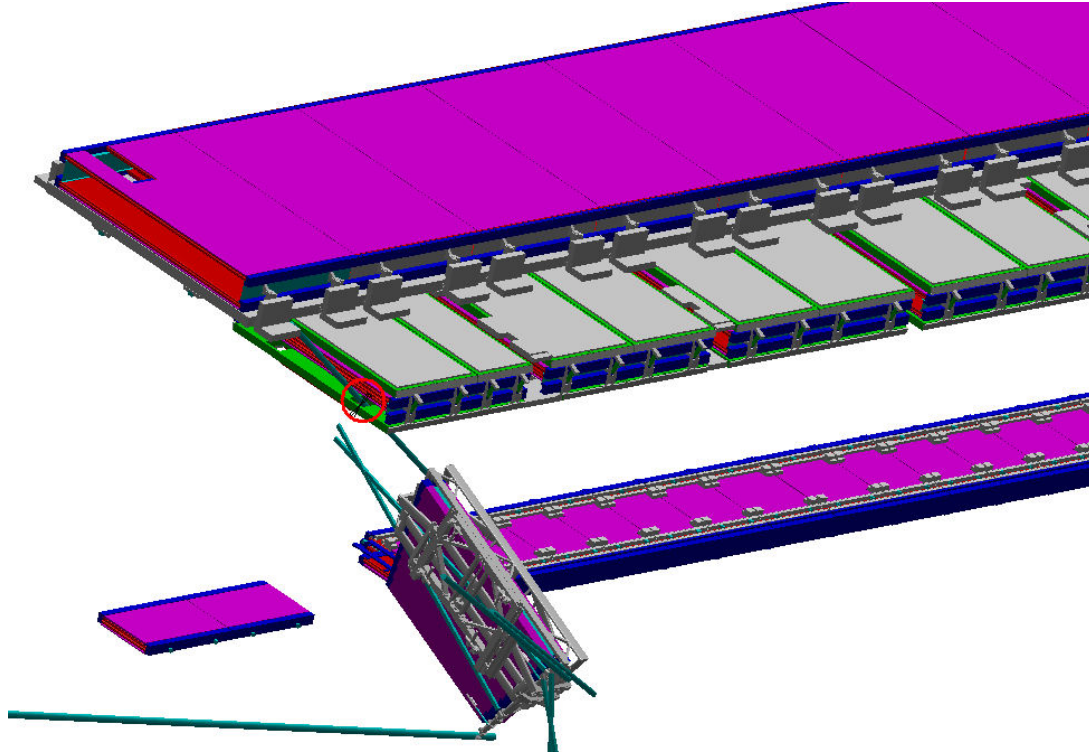
Computation Result:

AT632804MQ - ALIGNMENT BAR EIL4, SIDE A, SECTOR 3	AT602155MQ - MUON BARREL CHAMBERS DETAILED - SECTOR 3	Clearance	0 mm			Not inspected
			$\Delta X \approx 0$	$\Delta Y \approx 0$	$\Delta Z \approx 0$	



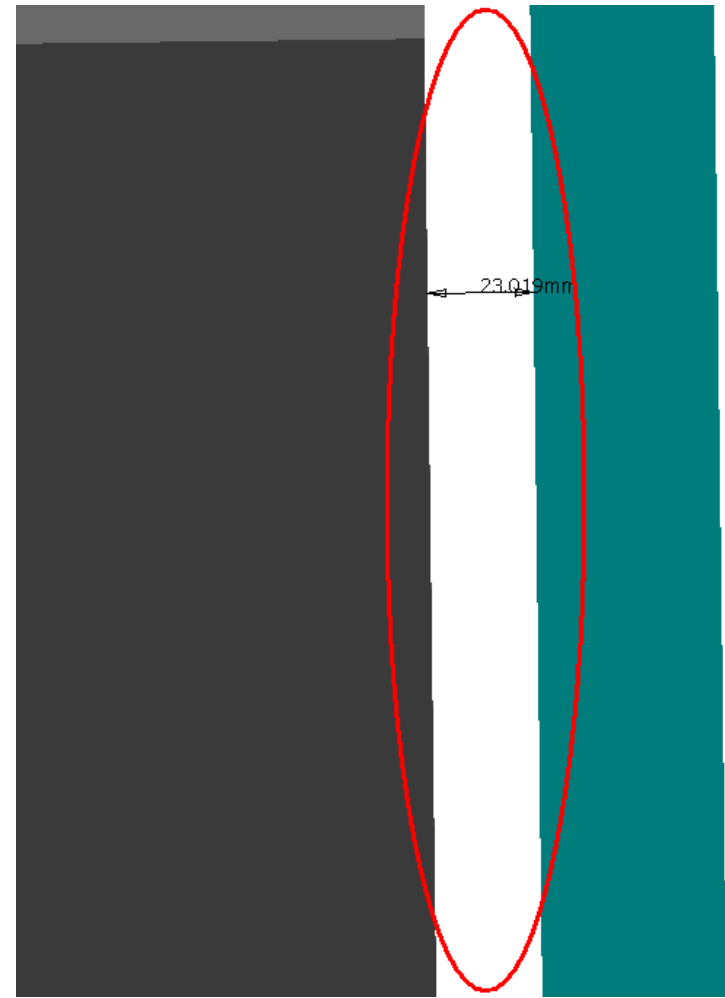
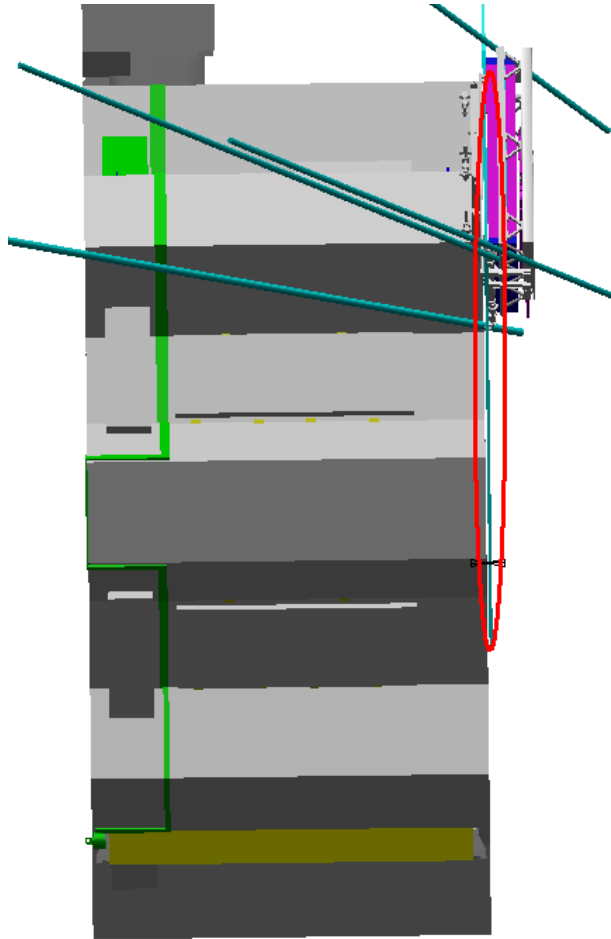
SIDE A
Sector 3

AT632804MQ - ALIGNMENT BAR EIL4, SIDE A, SECTOR 3	AT602154MQ SEC4 - MUON BARREL CHAMBERS DETAILED - SECTOR 4	Clearance	13.5 mm			Not inspected
			$\Delta X \approx -3.9$	$\Delta Y \approx -8.6$	$\Delta Z \approx -9.6$	



SIDE A
Sector 3

AT632804MQ - ALIGNMENT BAR EIL4, SIDE A, SECTOR 3	Z5_0002 - Z5 GLOBAL ENVELOPE (SIDE A) - AND LOCATION INTERFACES	Clearance	23 mm			Not inspected
			$\Delta X \approx 0$	$\Delta Y \approx -23$	$\Delta Z \approx 0$	



SIDE A
Sector 3