



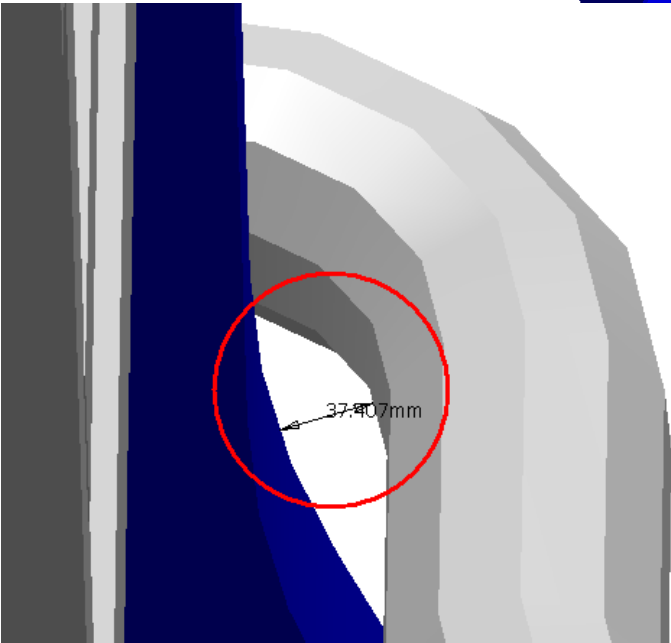
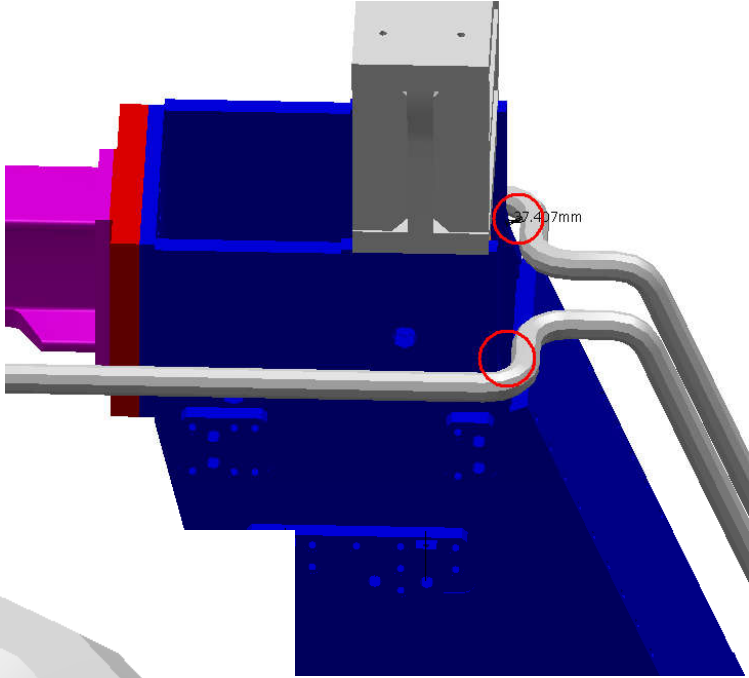
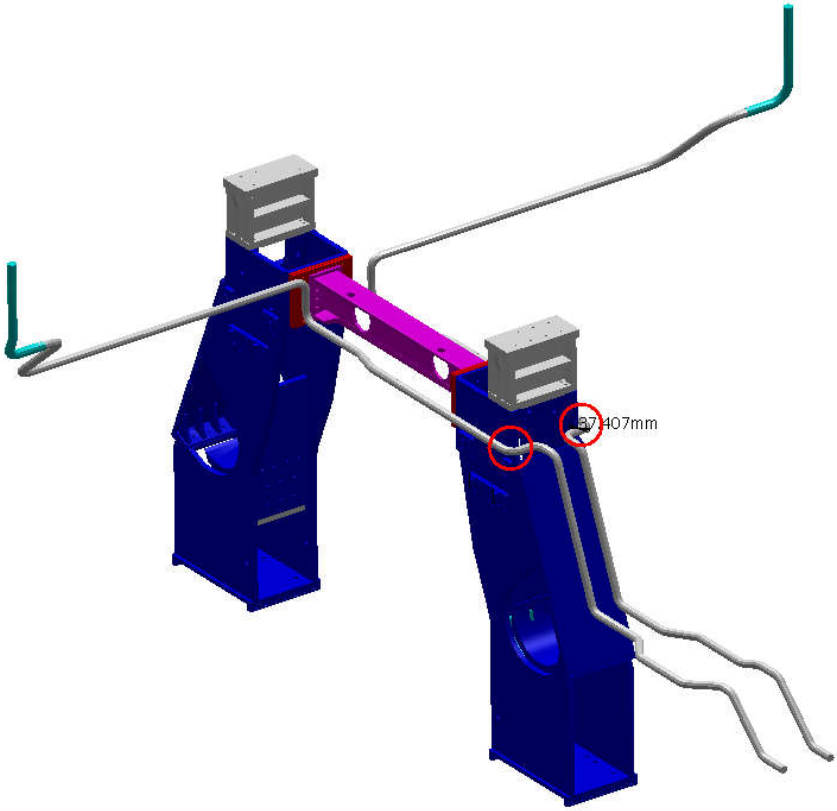
Clearance Publish

Clearance = 50mm

Clearance Computation Specification			
Products Selected		Value	Status
AT732515MQ - VACUUM PIPES (RUN)	VHB_0001 - CENTRAL PAIR OF FEET B - DETAILED MODEL FOR STANDARDS	37.4 mm	Not Relevant
	NLE_0002 - LE END-CAP CALORIMETER - SIDE A	1.6 mm	Relevant
	AT602165MQ - MUON BARREL CHAMBERS DETAILED - SECTOR 13	17.7 mm	Relevant
	NTB_0003 - TB WARM STRUCTURE - SIMPLIFIED 3-D OBJECT	16.4 mm	Not Relevant
	NTB_0005 - TB WARM STRUCTURE - RING OF THE VOUSOIRS, STRUTS	17.5 mm	Not Relevant
	NTB_0007 - TB FEET COIL - SECTOR 14	14.3 mm	Not Relevant

Revised with Denis 27/07/2005

AT732515MQ - VACUUM PIPES (RUN)	VHB_0001 - CENTRAL PAIR OF FEET B - DETAILED MODEL FOR STANDARDS	Clearance	37.4 mm			Not Relevant
			$\Delta X \approx 36$	$\Delta Y \approx -7.1$	$\Delta Z \approx 7.3$	



Denis: It fix on feet

SIDE A-C
Sector 12

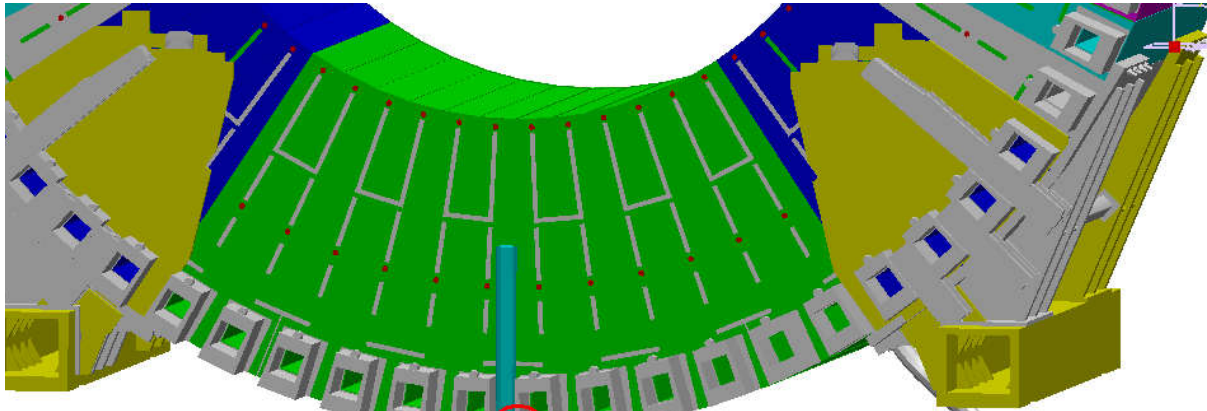
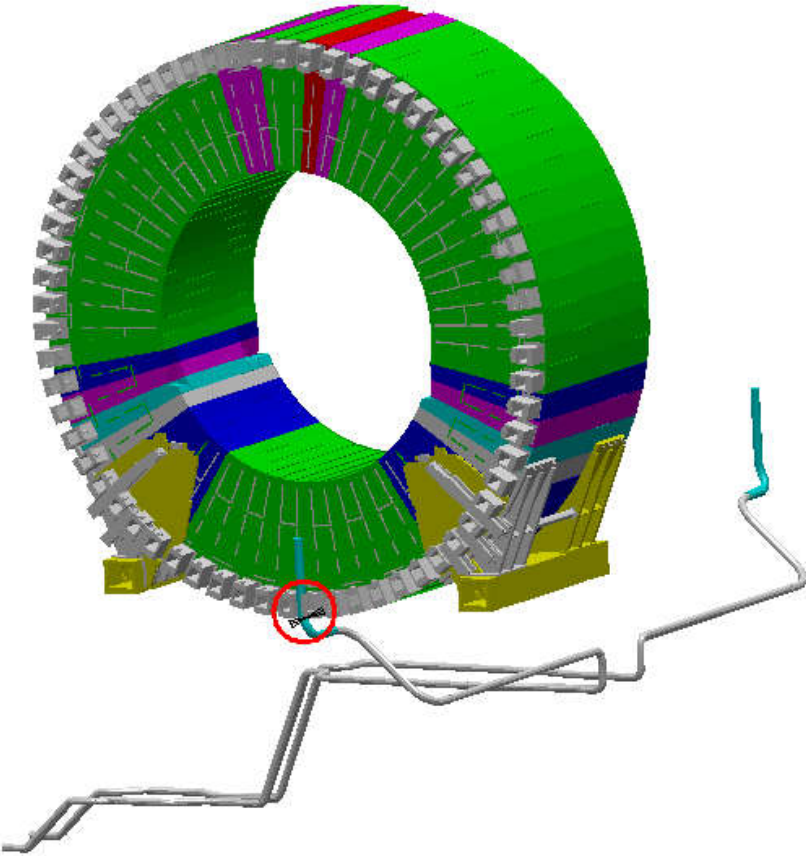
RELEVANT

AT732515MQ - VACUUM PIPES (RUN)

NLE_0002 - LE END-CAP CALORIMETER - SIDE A

Clearance	1.6 mm		
	$\Delta X \approx 1.5$	$\Delta Y \approx 0.6$	$\Delta Z \approx 0$

Relevant



SIDE A
Sector 13



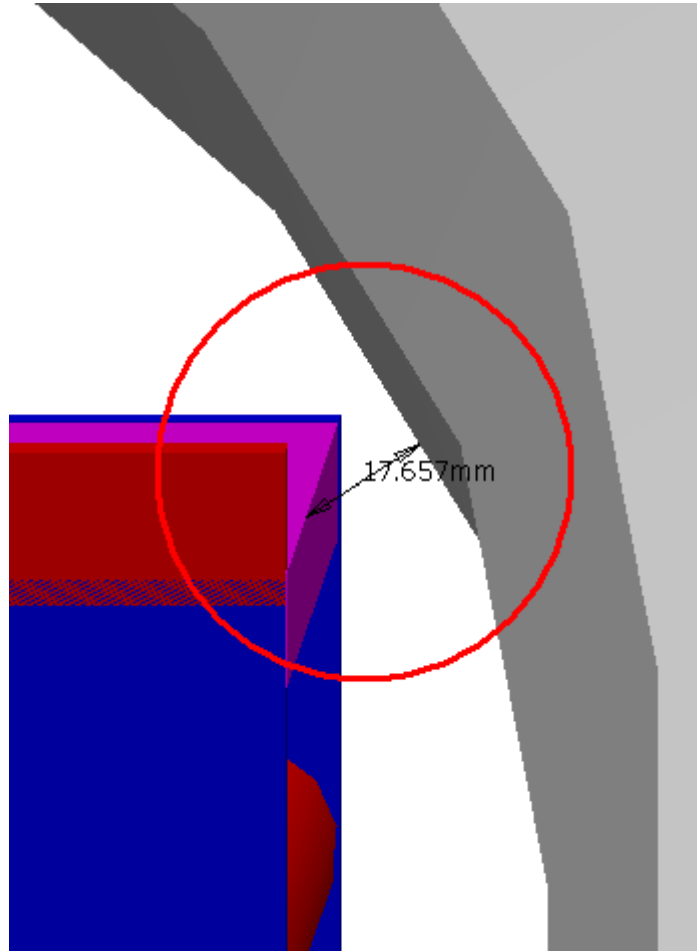
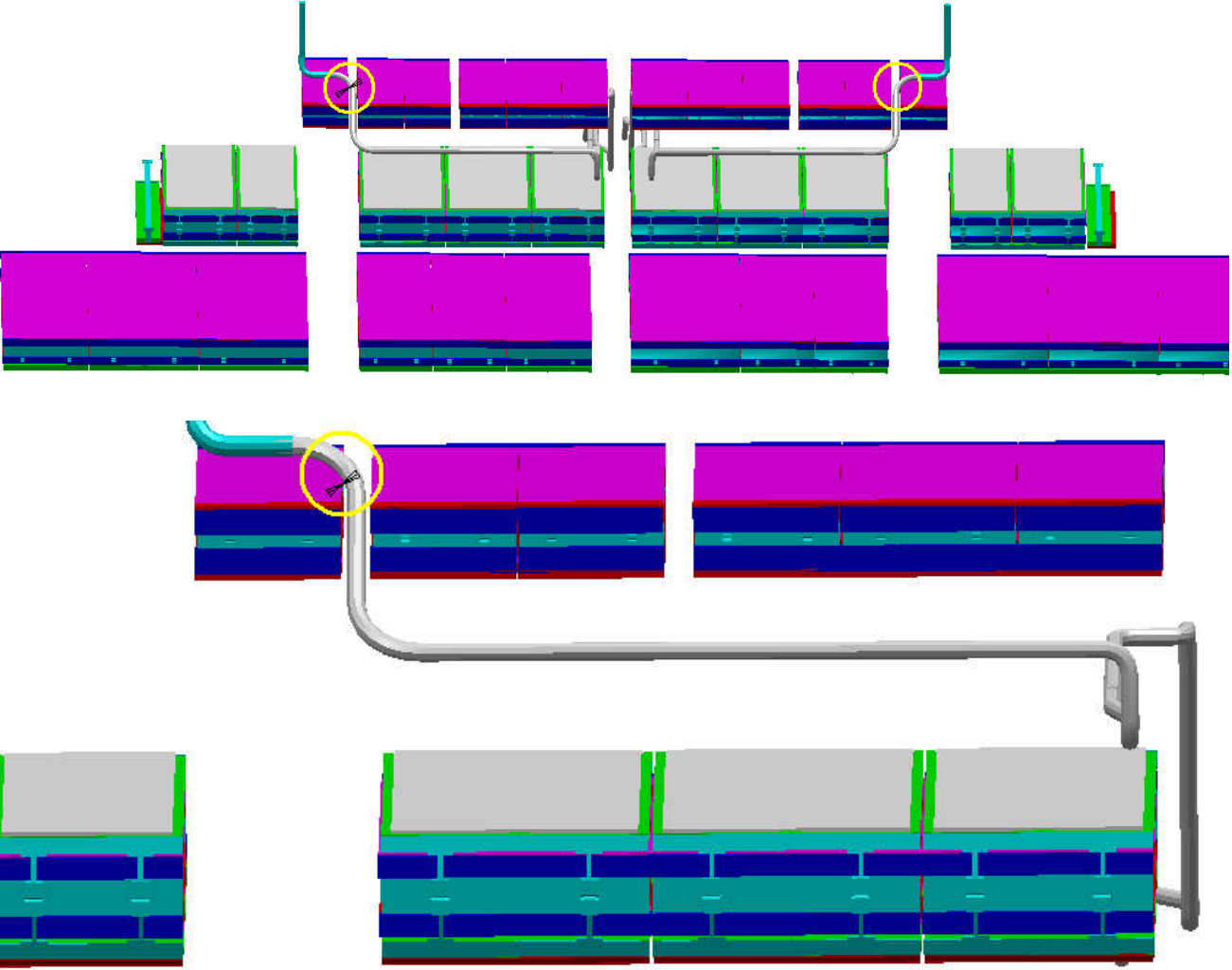
Denis: It can be 23mm

AT732515MQ - VACUUM PIPES (RUN)

AT602165MQ - MUON BARREL CHAMBERS DETAILED - SECTOR 13

Clearance	17.7 mm		
	$\Delta X \approx 0$	$\Delta Y \approx -9.6$	$\Delta Z \approx -14.8$

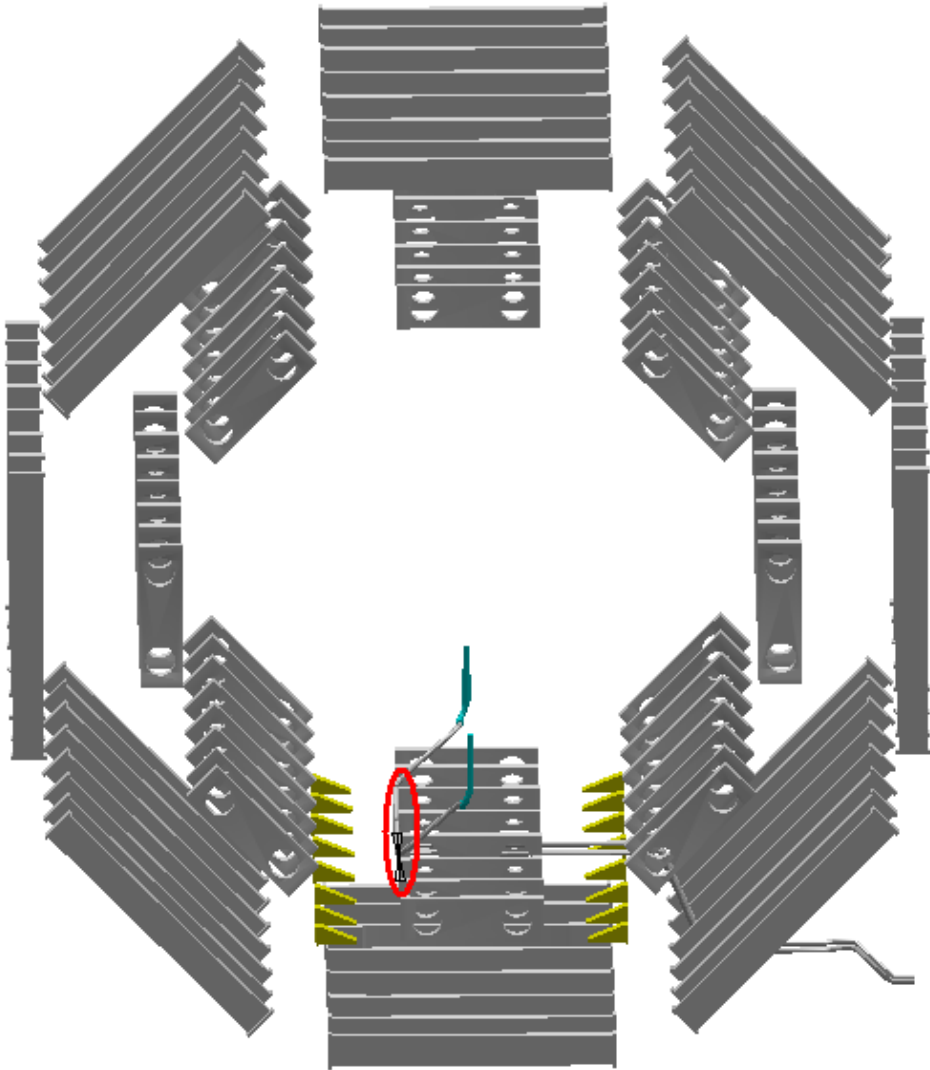
Relevant



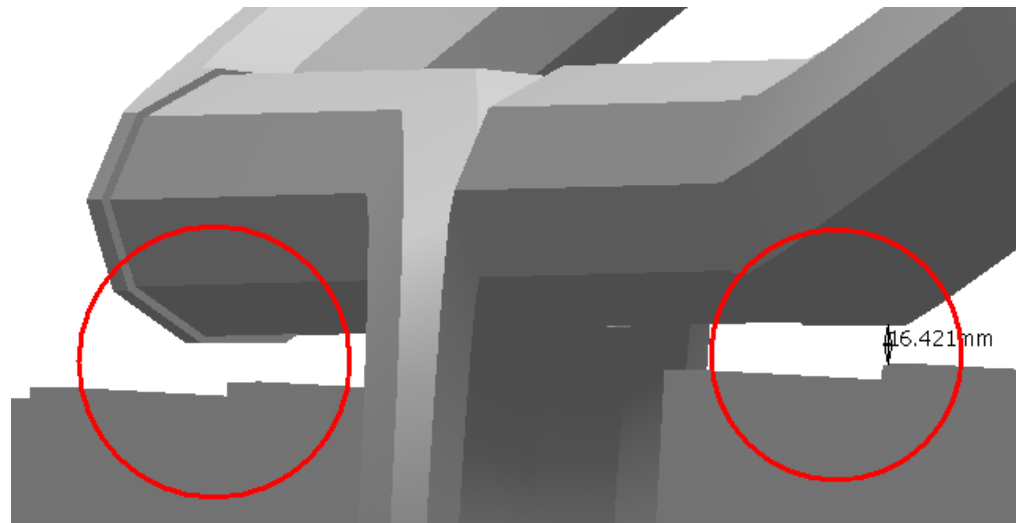
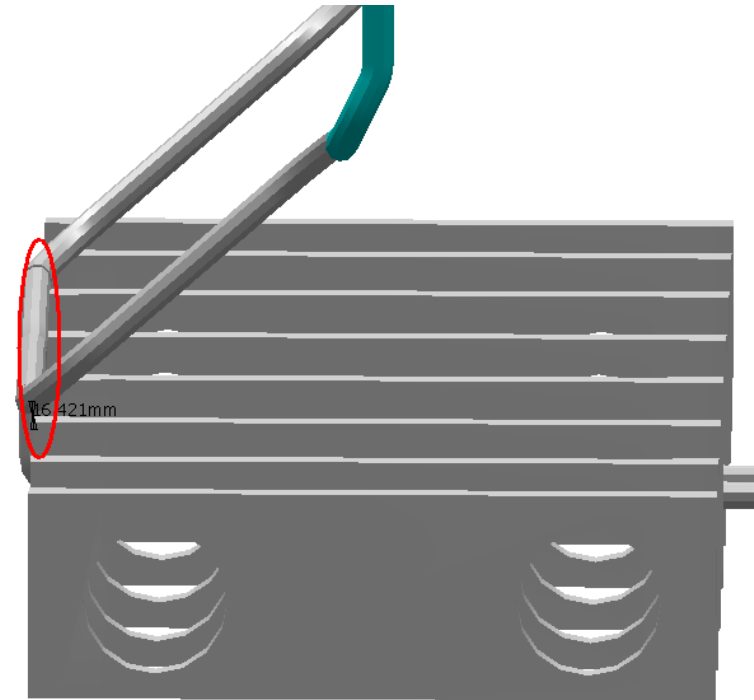
Denis: Design of pipe is not finish (we have not contractor drawings).
The clearance can be 35mm

SIDE A-C
Sector 13

AT732515MQ - VACUUM PIPES (RUN)	NTB_0003 - TB WARM STRUCTURE - SIMPLIFIED 3-D OBJECT	Clearance	16.4 mm			Not Relevant
			$\Delta X \approx -1$	$\Delta Y \approx -16.4$	$\Delta Z \approx 0.2$	

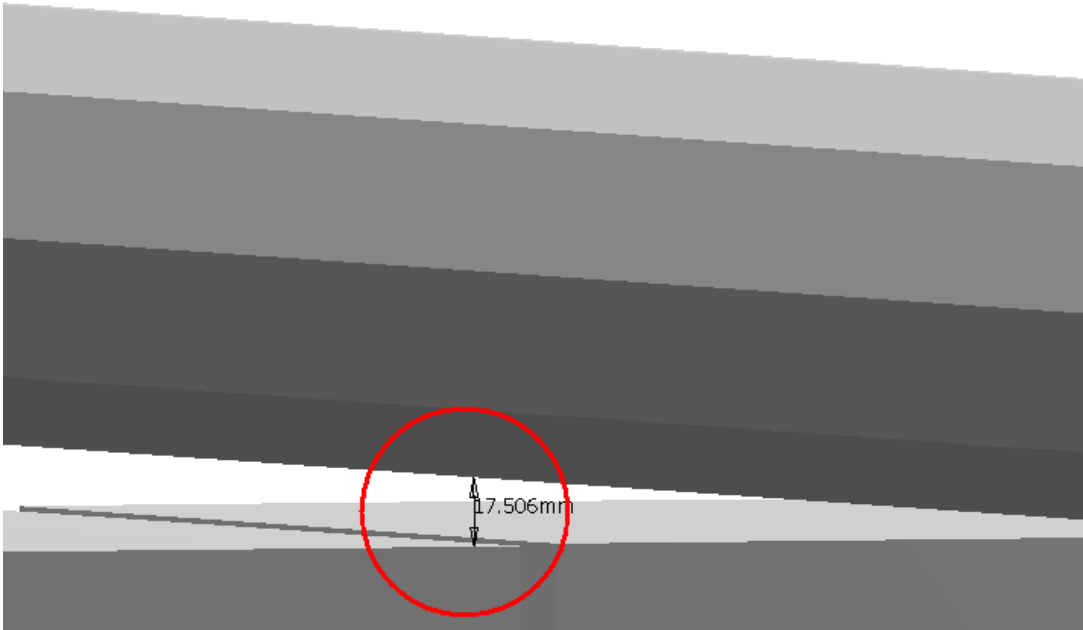
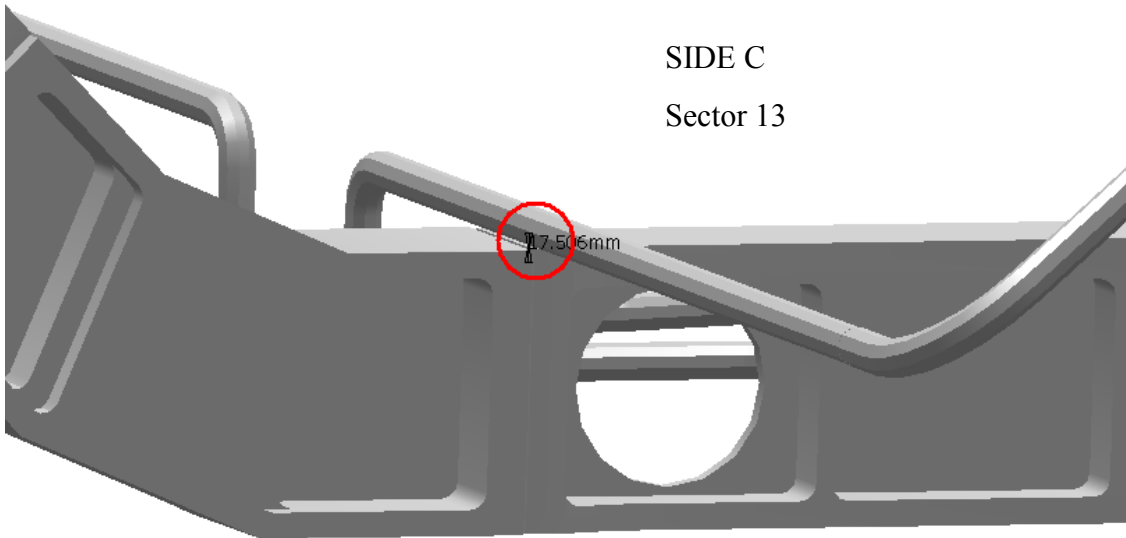
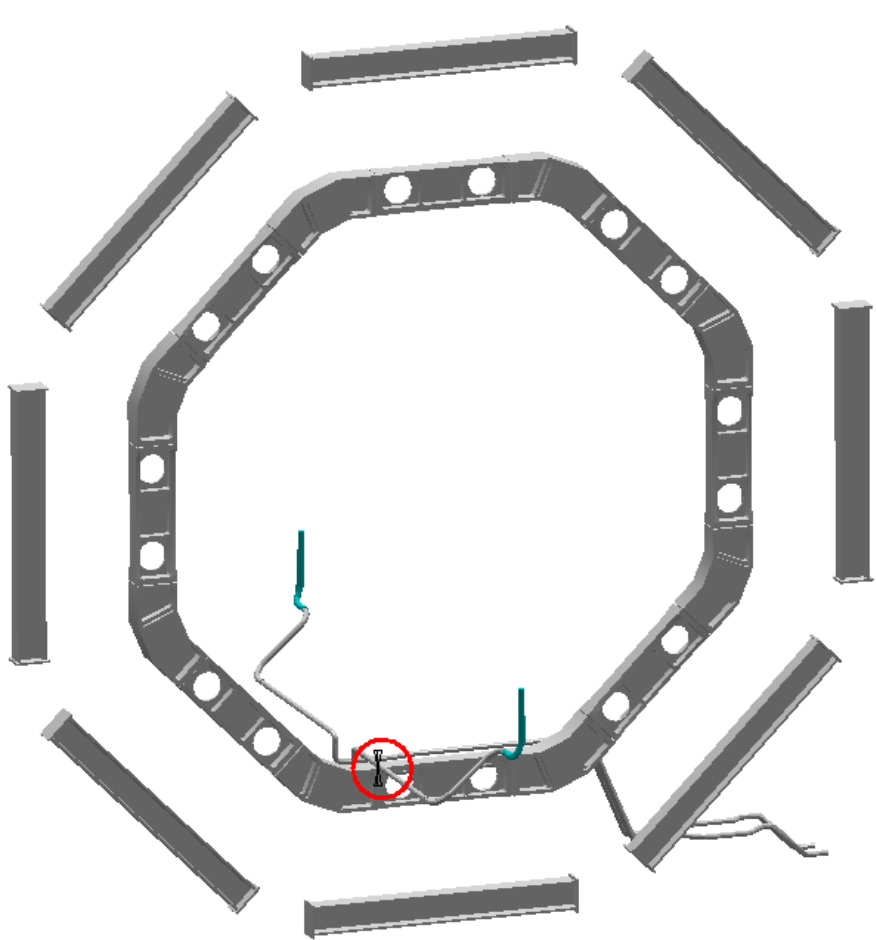


SIDE A-C
Sector 13



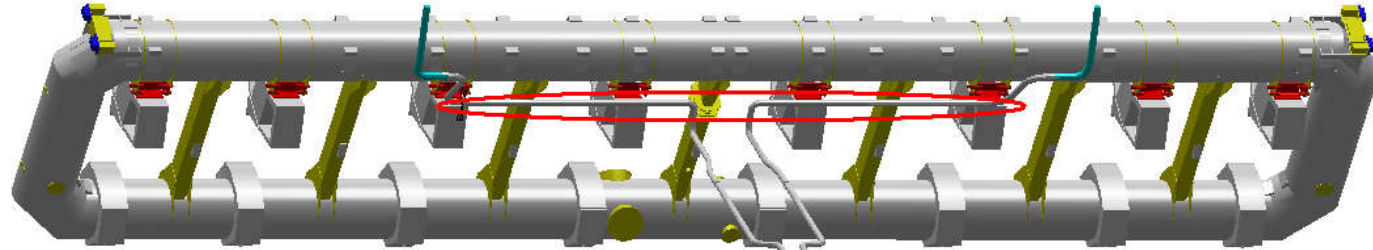
Denis: It fix on warm structure

AT732515MQ - VACUUM PIPES (RUN)	NTB_0005 - TB WARM STRUCTURE - RING OF THE VOUSOIRS, STRUTS	Clearance	17.5 mm			Not Relevant
			$\Delta X \approx 0$	$\Delta Y \approx -17.5$	$\Delta Z \approx 0.2$	

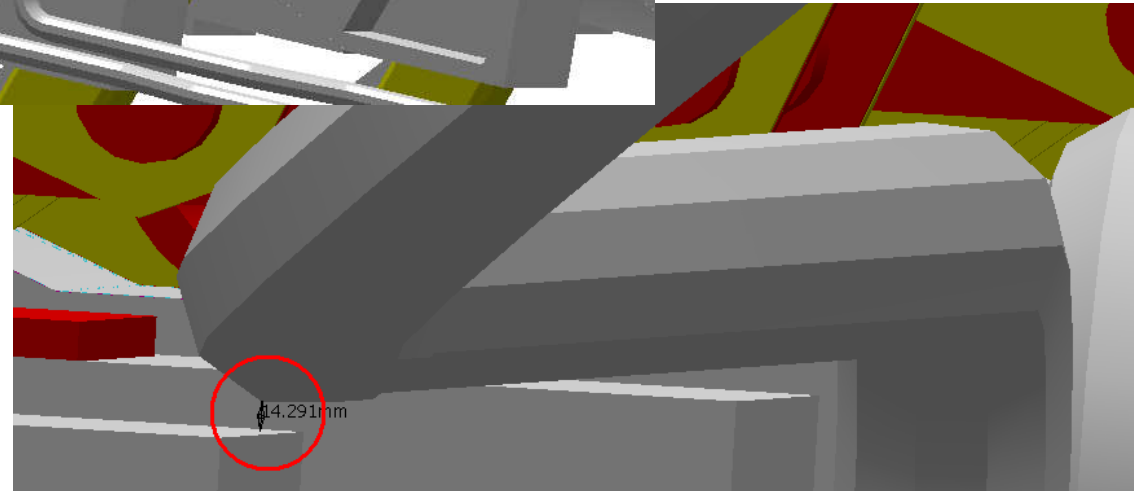
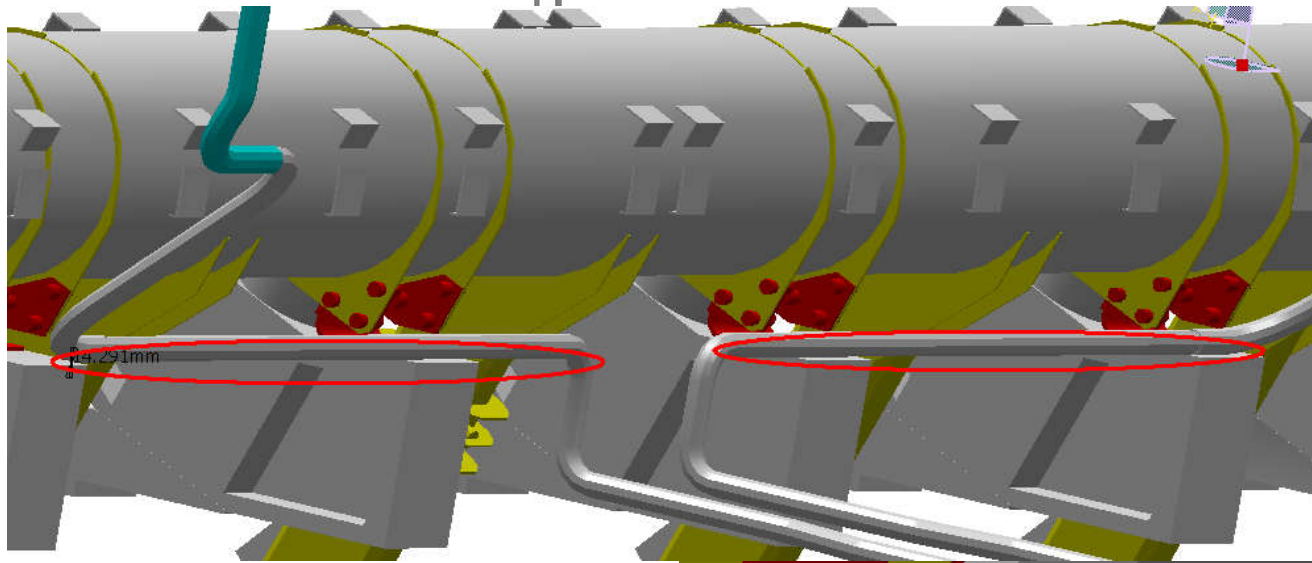


Denis: It fix on warm structure

AT732515MQ - VACUUM PIPES (RUN)	NTB_0007 - TB FEET COIL - SECTOR 14	Clearance	14.3 mm			Not Relevant
			$\Delta X \approx 0$	$\Delta Y \approx -14.3$	$\Delta Z \approx 0.2$	



SIDE A-C
Sector 13



Denis: It fix on warm structure