

Clearance Publish

Clearance = 50mm

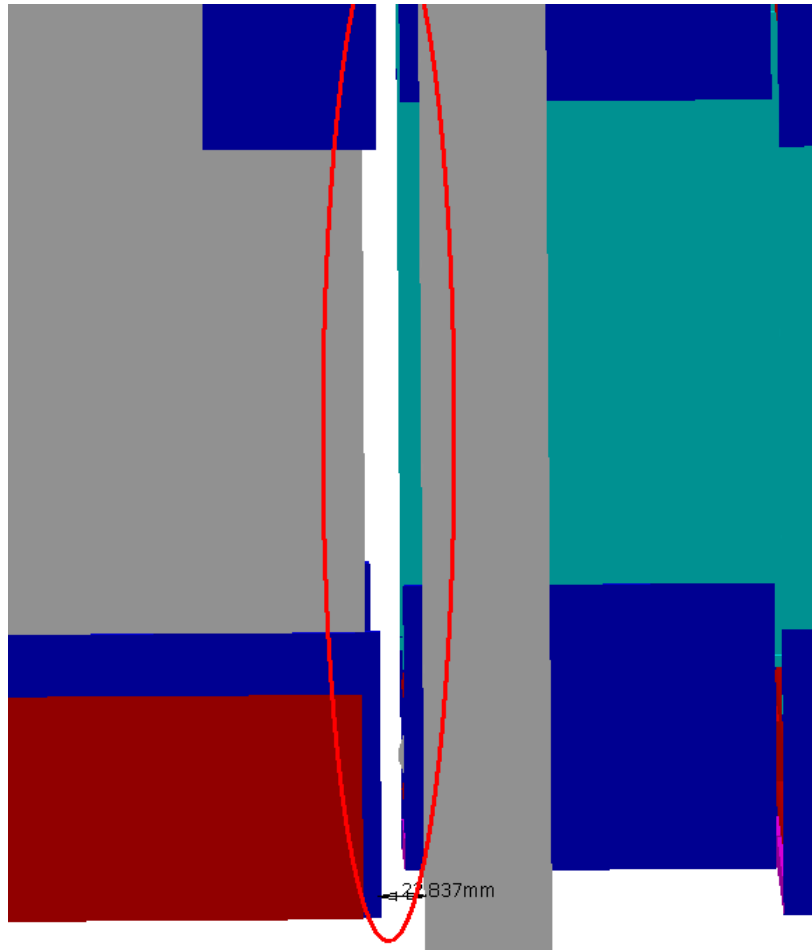
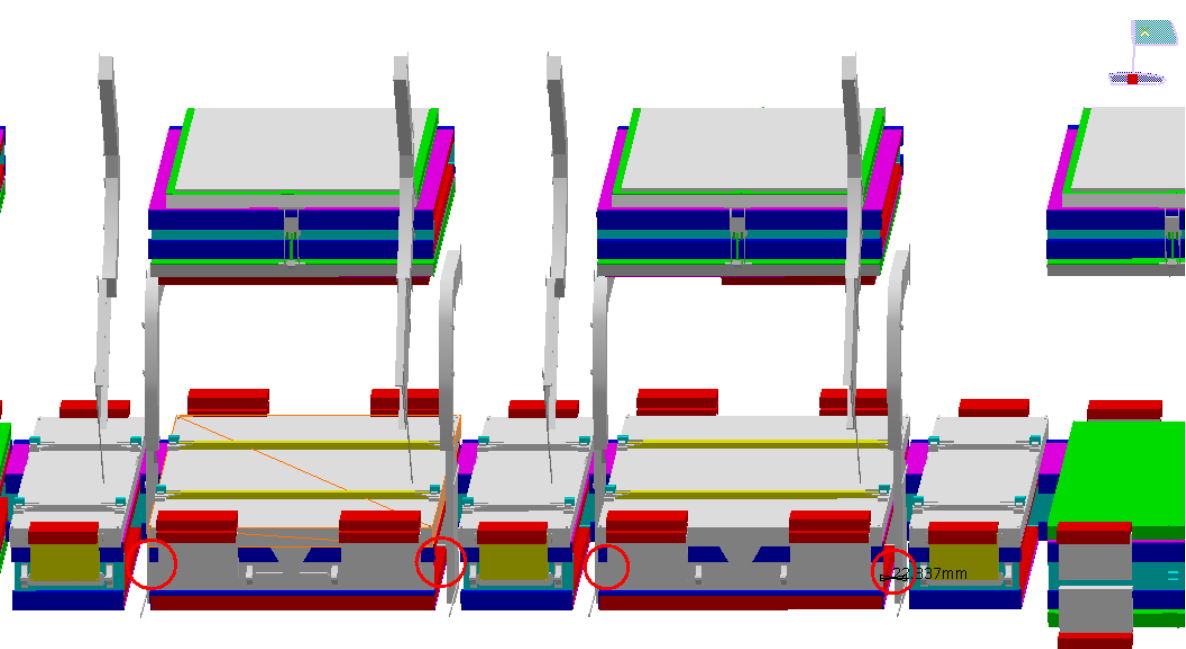


Clearance Computation Specification

Clearance Computation Specification			
Products Selected		Value	Status
AT782484MQ - CABLE TRAYS IN FEET C1-B-A1	AT602164MQ - MCB MUON BARREL CHAMBERS DETAILED. SECTOR 12	22.8 mm	Not inspected
	AT602166MQ - MCB MUON BARREL CHAMBERS DETAILED. SECTOR 14	22.8 mm	Not inspected
	NSM_0015 - BT HEATER BOXES AND CABLES - FOR FOOT REGION	6 mm	Not inspected
	NTB_0002 - TB FEET COIL - SECTOR 12	47 mm	Not inspected
	NTB_0007 - TB FEET COIL - SECTOR 14	47 mm	Not inspected
	NTB_0004 - TB CRYORING BOTTOM SECTORS - (11, 13, 15)	12 mm	Not inspected

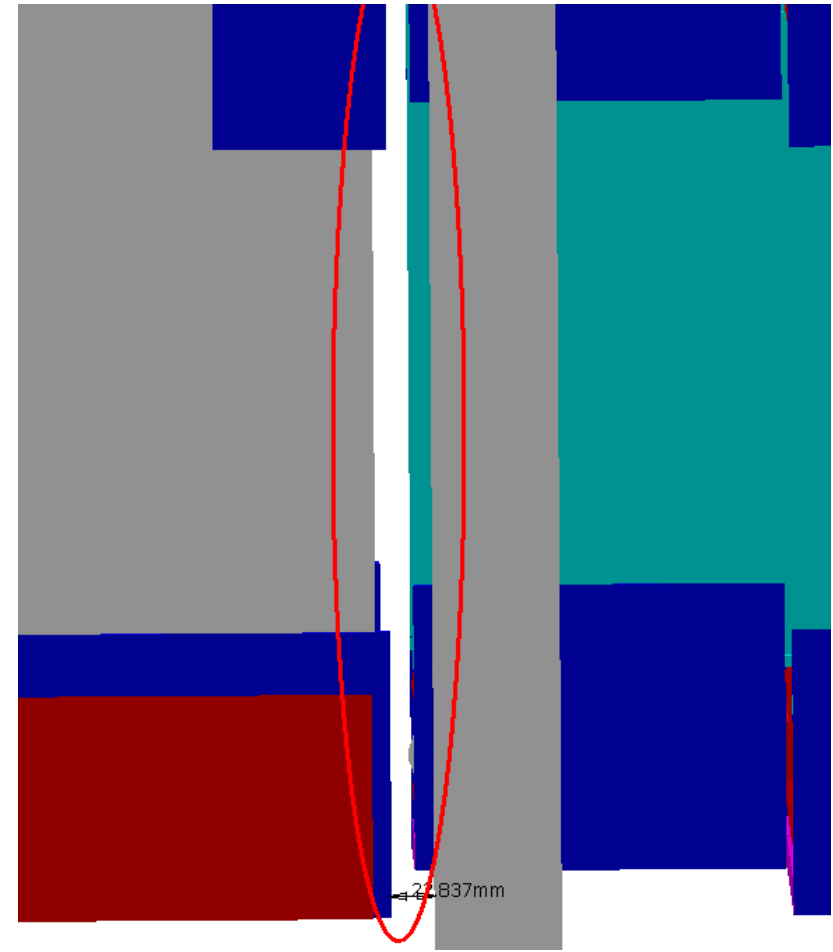
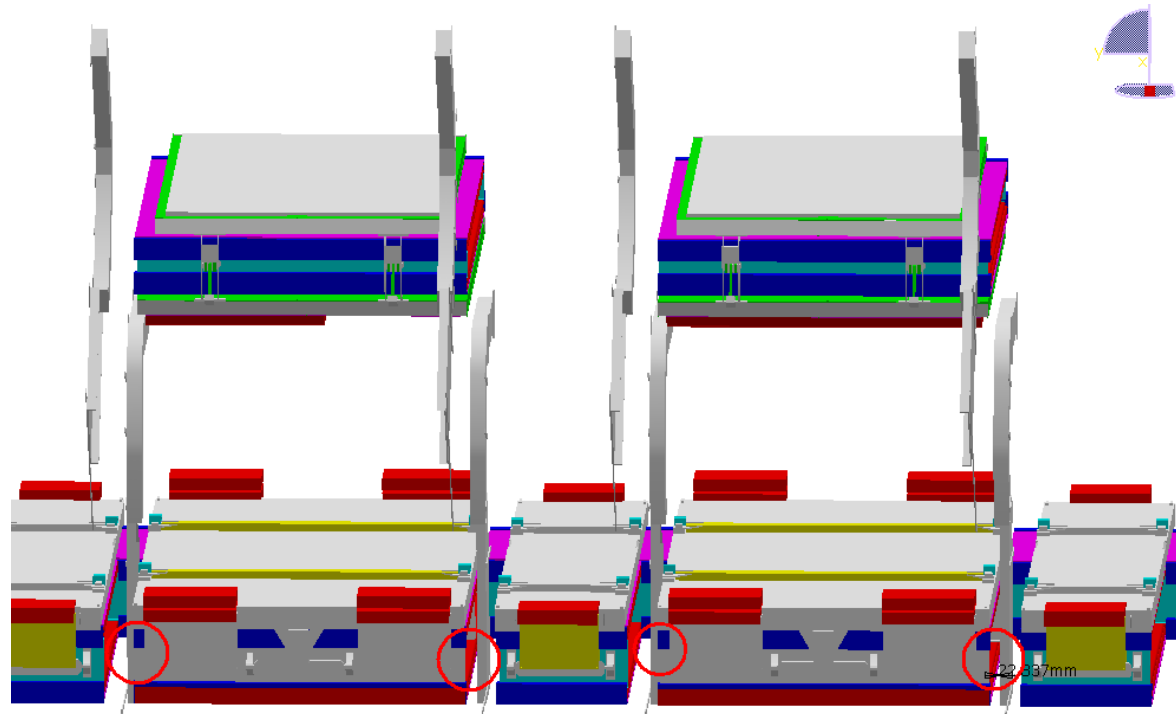
Computation Result:

AT782484MQ - CABLE TRAYS IN FEET C1-B-A1	AT602164MQ - MCB MUON BARREL CHAMBERS DETAILED. SECTOR 12	Clearance	22.8 mm			Not inspected
			$\Delta X \approx 0$	$\Delta Y \approx -22.8$	$\Delta Z \approx 0$	



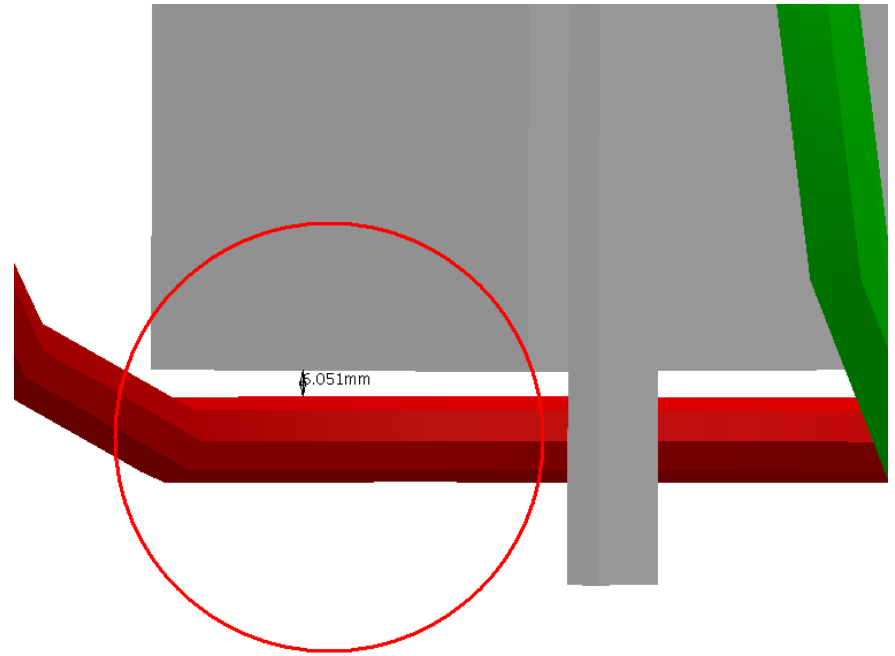
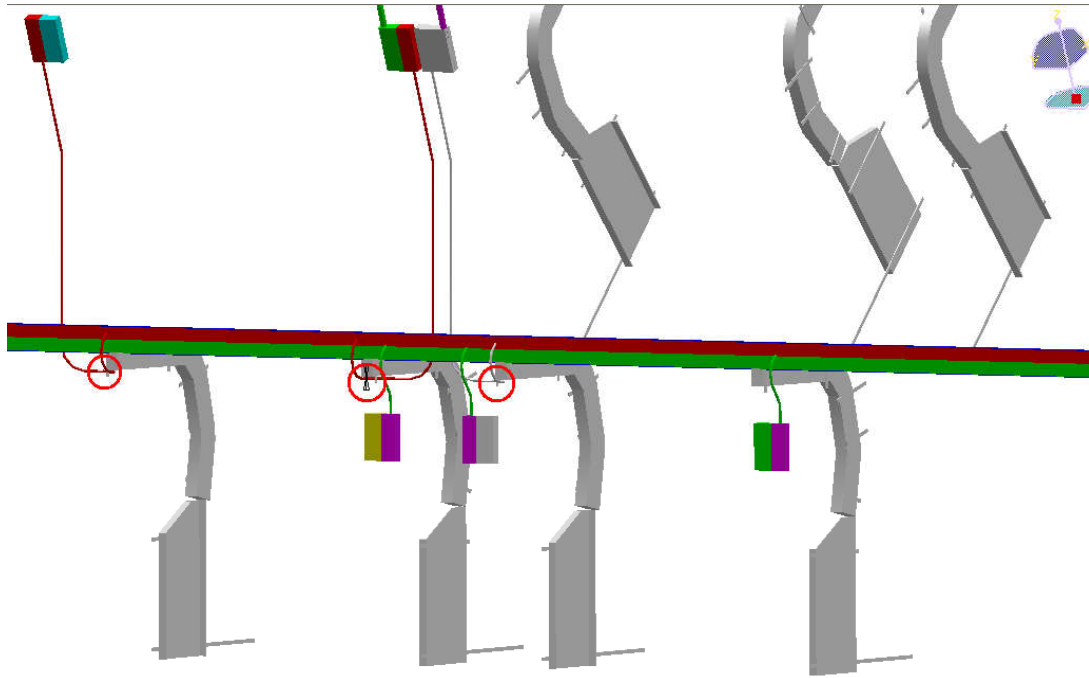
SIDE A-C
Sector 12

AT782484MQ - CABLE TRAYS IN FEET C1-B-A1	AT602166MQ - MCB MUON BARREL CHAMBERS DETAILED. SECTOR 14	Clearance	22.8 mm			Not inspected
			$\Delta X \approx 0$	$\Delta Y \approx 22.8$	$\Delta Z \approx 0$	



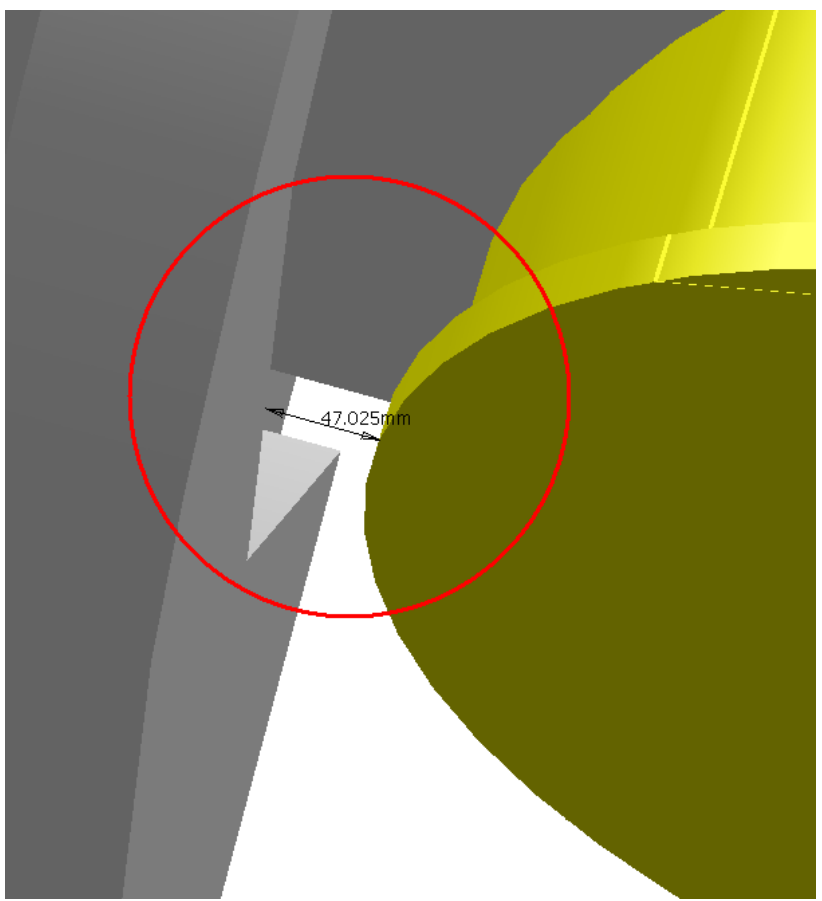
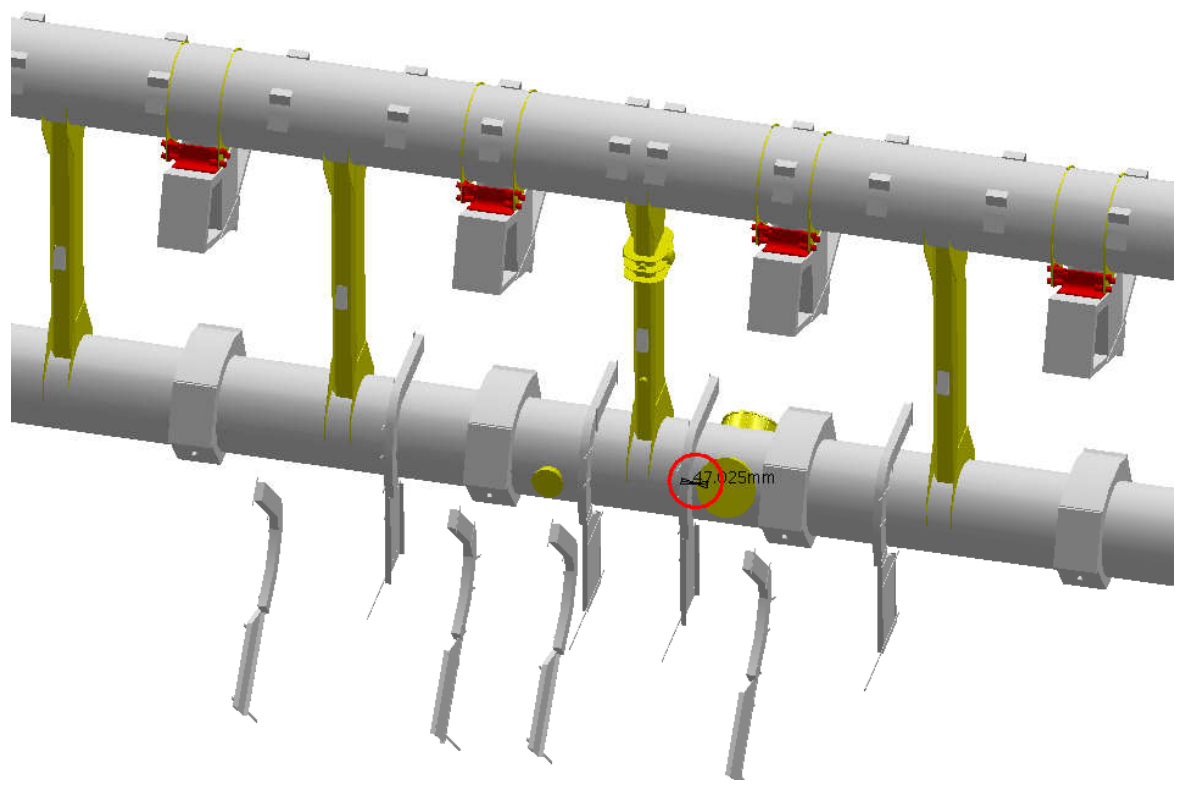
SIDE A-C
Sector 14

AT782484MQ - CABLE TRAYS IN FEET C1-B-A1	NSM_0015 - BT HEATER BOXES AND CABLES - FOR FOOT REGION	Clearance	6 mm			Not inspected
			$\Delta X \approx -2.3$	$\Delta Y \approx 0$	$\Delta Z \approx -5.6$	



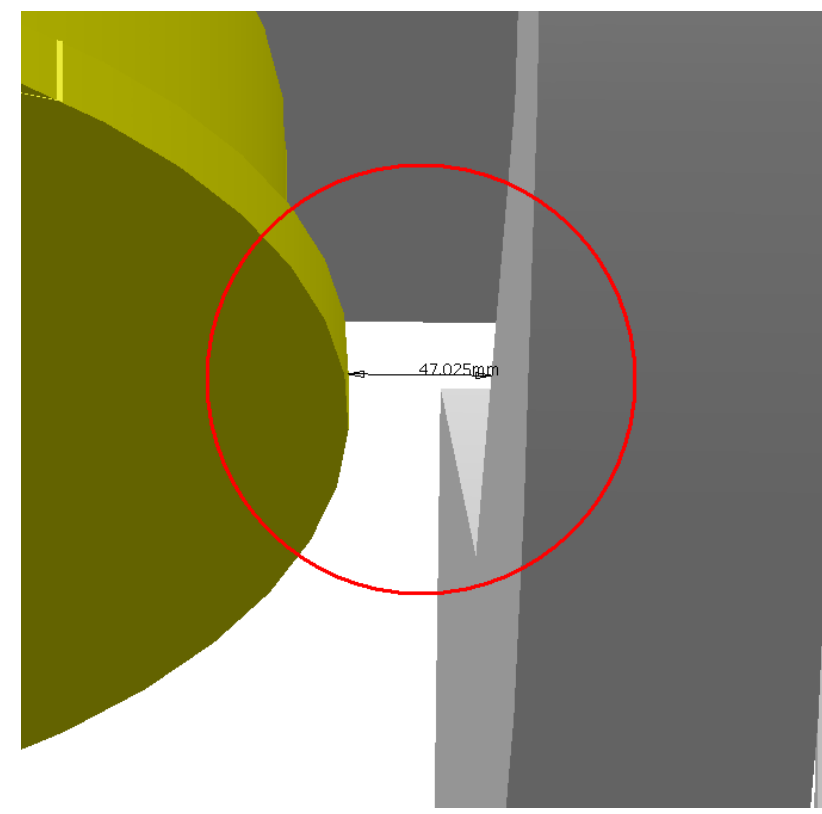
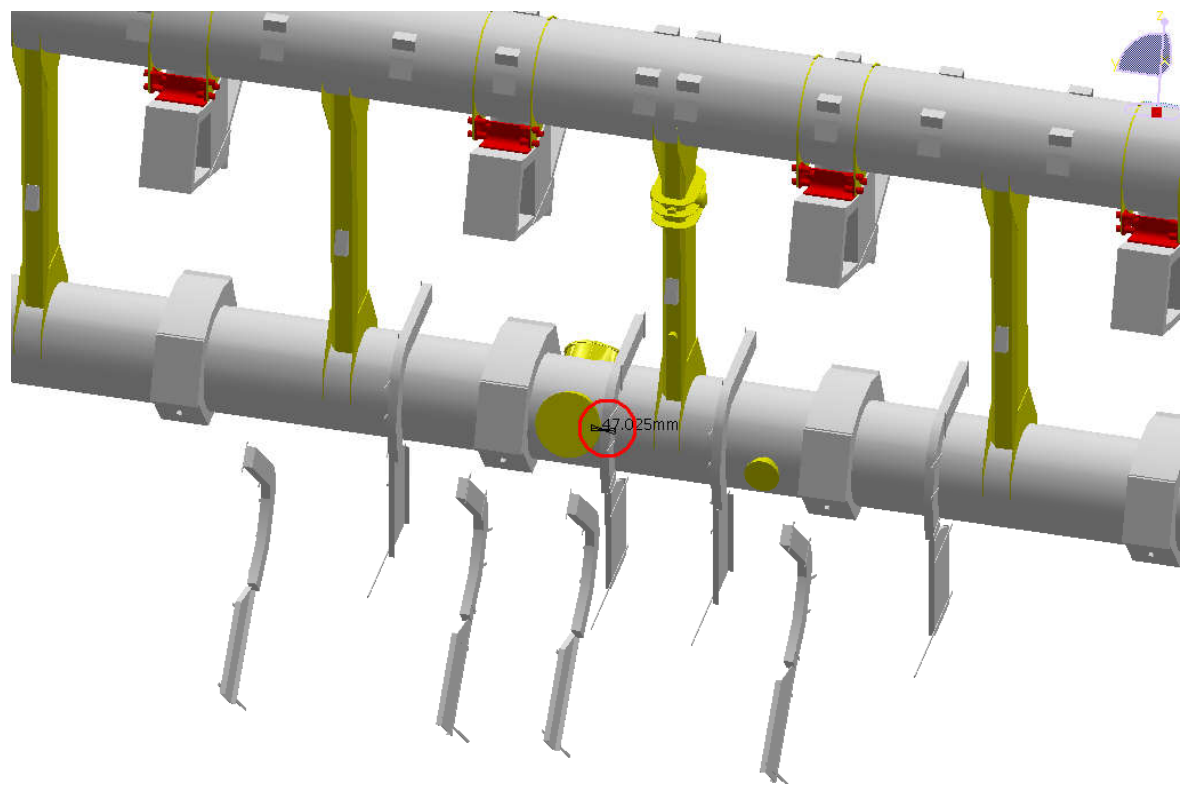
SIDE A-C
Sector 14

AT782484MQ - CABLE TRAYS IN FEET C1-B-A1	NTB_0002 - TB FEET COIL - SECTOR 12	Clearance	47 mm			Not inspected
			$\Delta X \approx 0$	$\Delta Y \approx 47$	$\Delta Z \approx 0$	



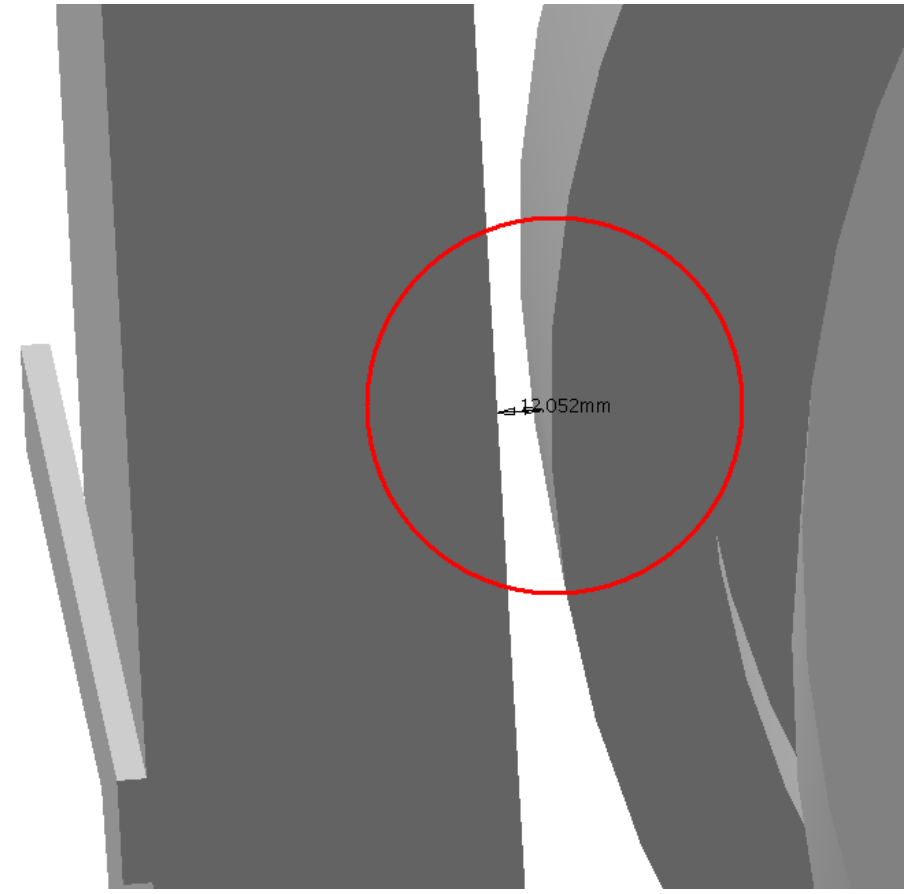
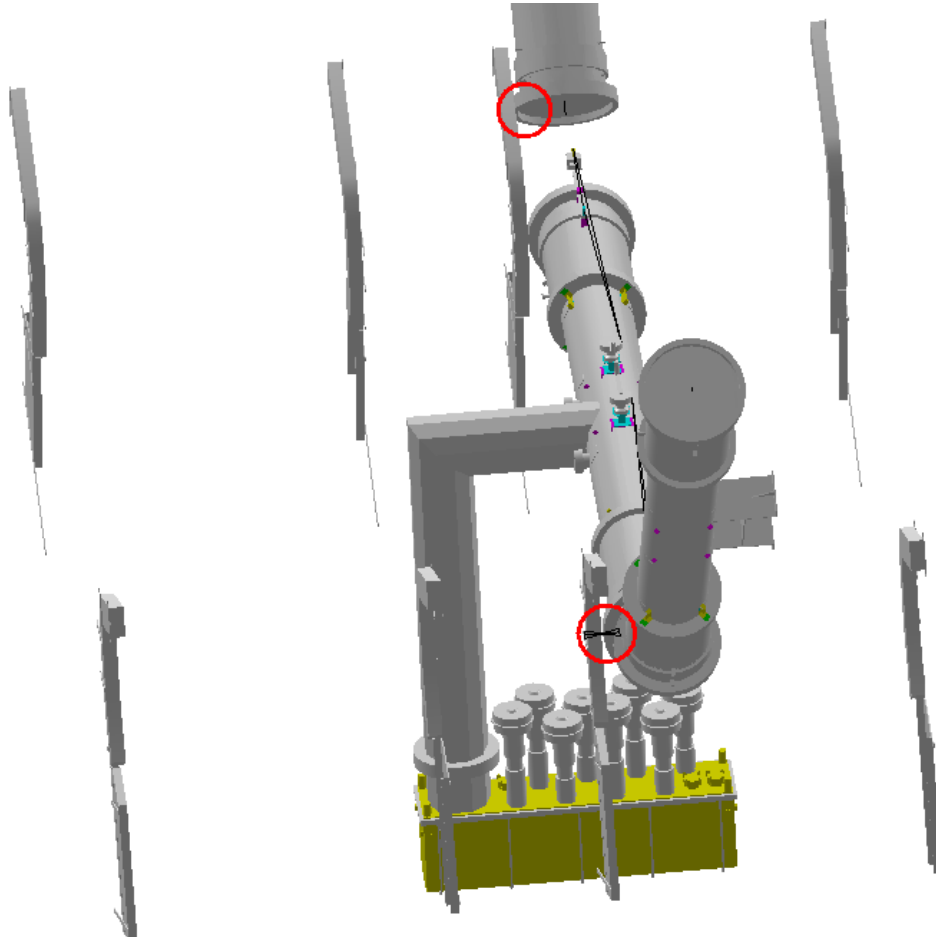
SIDE C
Sector 12

AT782484MQ - CABLE TRAYS IN FEET C1-B-A1	NTB_0007 - TB FEET COIL - SECTOR 14	Clearance	47 mm			Not inspected
			$\Delta X \approx 0$	$\Delta Y \approx 47$	$\Delta Z \approx 0$	



SIDE C
Sector 14

AT782484MQ - CABLE TRAYS IN FEET C1-B-A1	NTB_0004 - TB CRYORING BOTTOM SECTORS - (11, 13, 15)	Clearance	12 mm			Not inspected
			$\Delta X \approx 0$	$\Delta Y \approx 12$	$\Delta Z \approx 0$	



SIDE C
Sectors 12, 14