

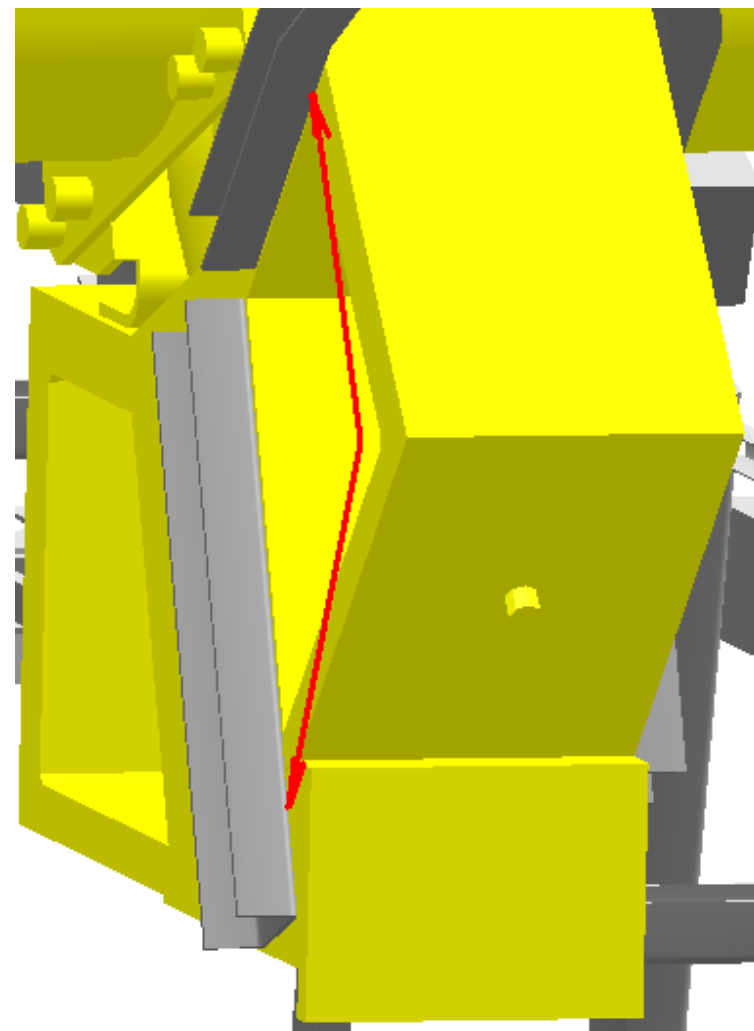
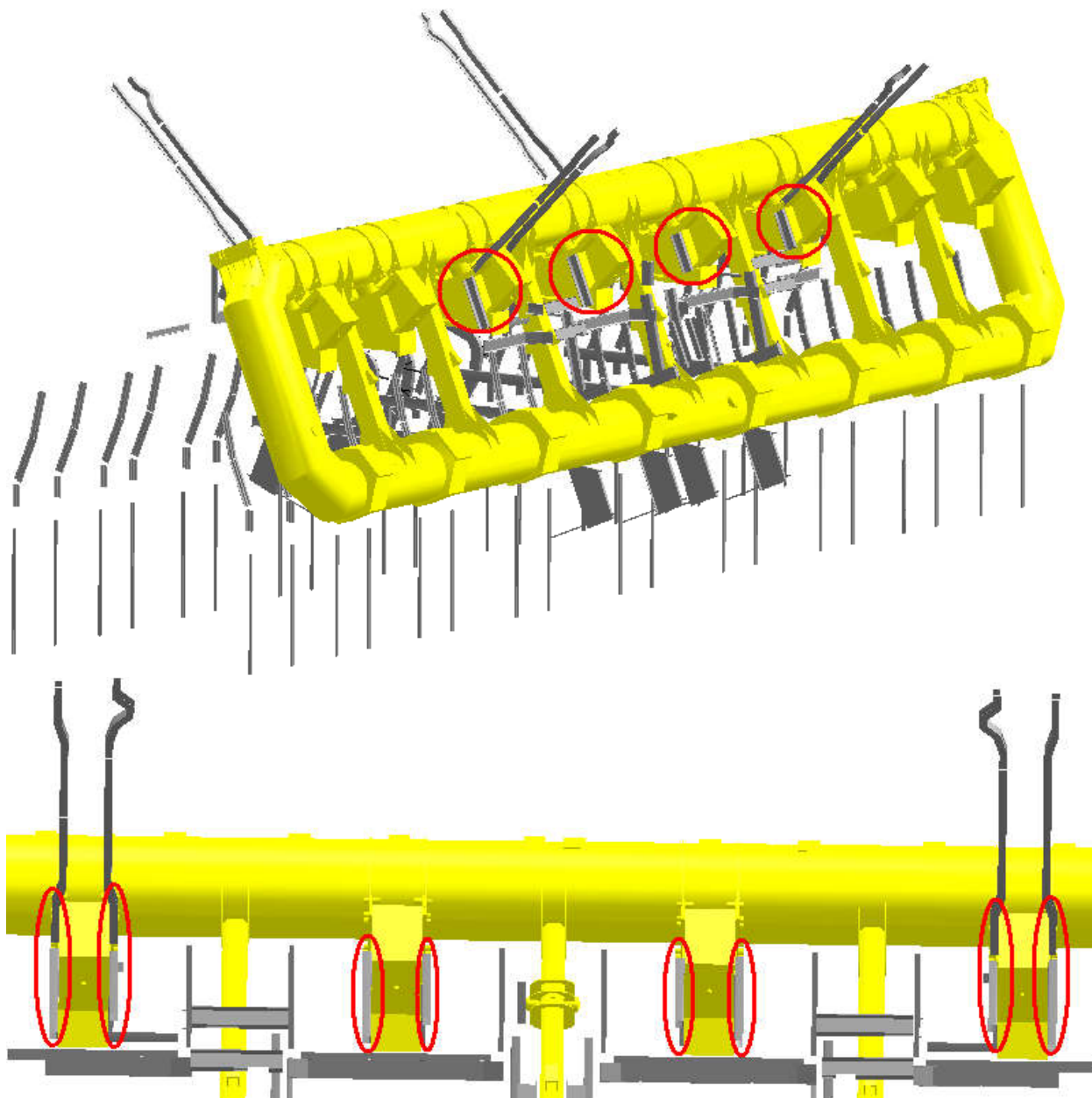
Clearance Publish

Clearance = 50mm

Clearance Computation Specification

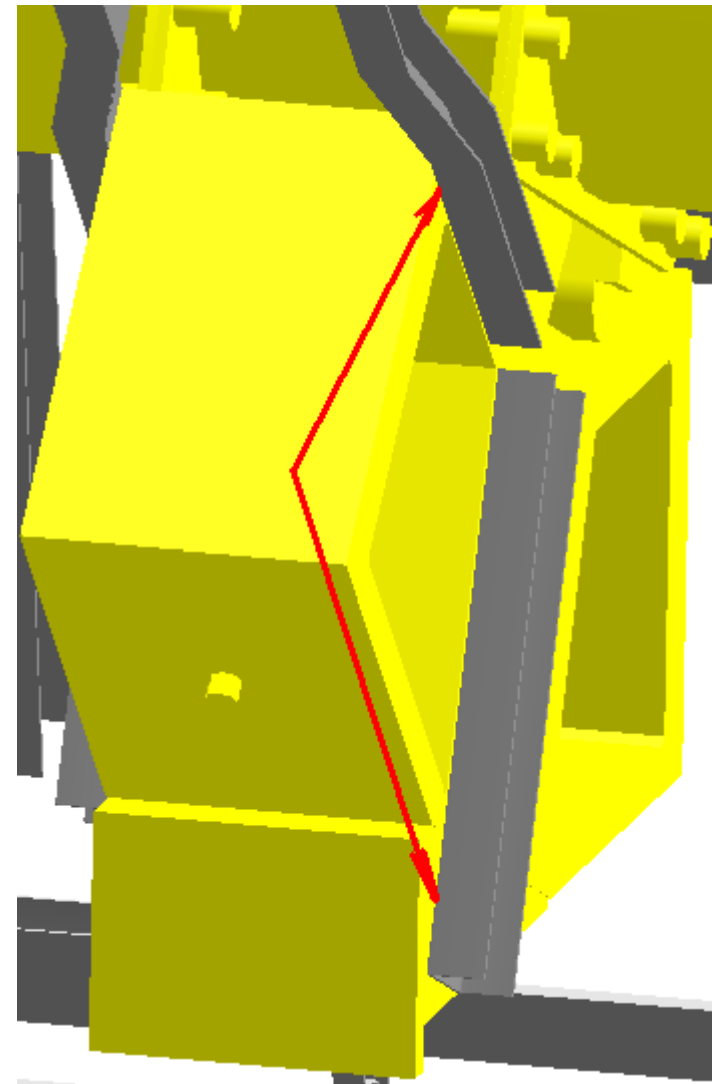
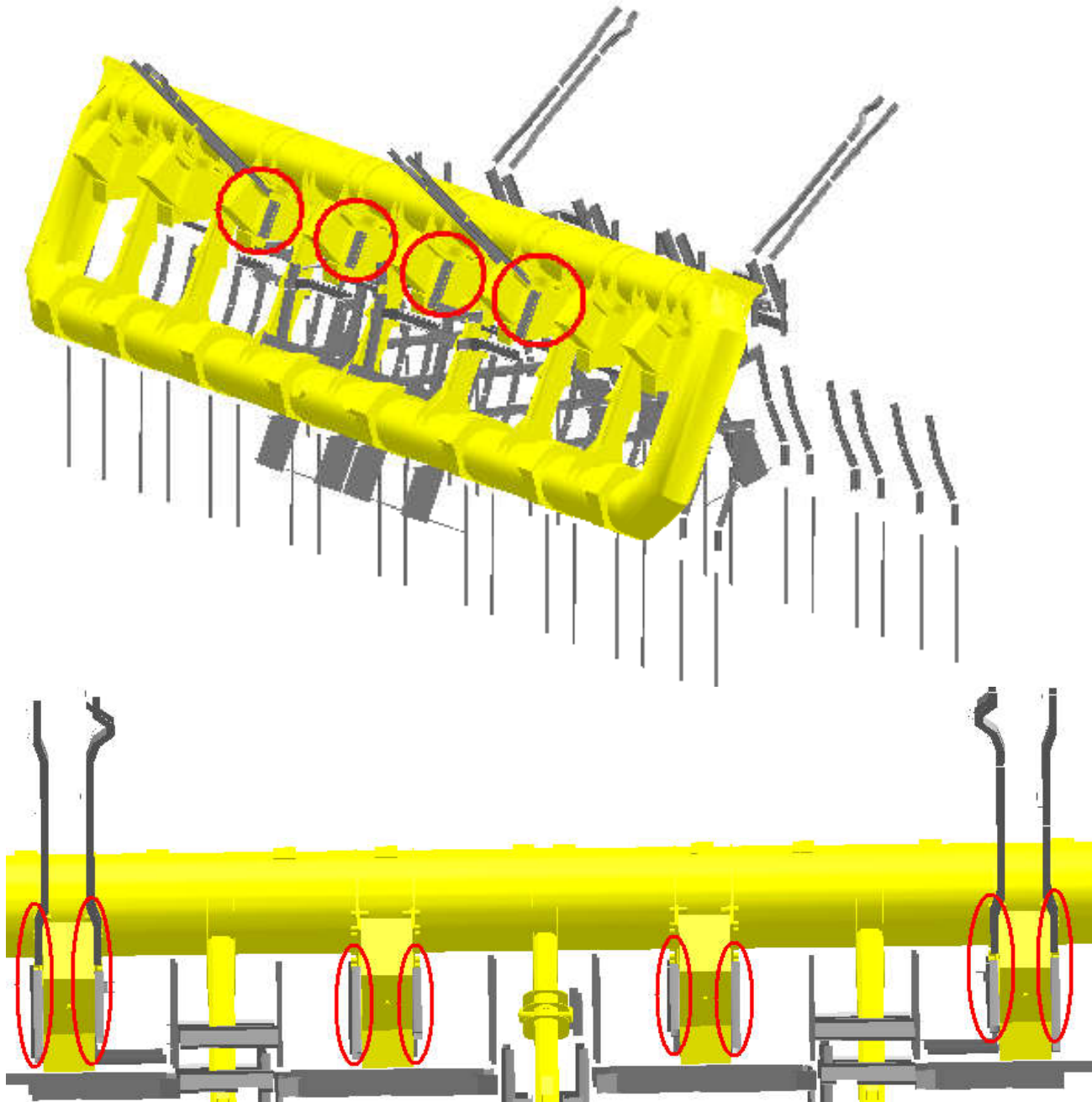
Products Selected		Value	Status
AT782722MQ - ALL CABLE TRAYS /S.13/	NTB__0002 - TB FEET COIL - SECTOR 12	0 mm	Not Relevant
	NTB__0007 - TB FEET COIL - SECTOR 14	0 mm	Not Relevant
	NTB_0001 BT16 - TB STANDARD COIL - SECTOR 16	0 mm	Not Relevant
	VHB__0007 - ASSEMBLY OF BEDPLATES - DETAILED MODEL FOR STANDARDS	20 mm	Not Relevant
	ATCVHB_0007 M - ASSEMBLY OF BEDPLATES - DETAILED MODEL FOR STANDARDS	20 mm	Not Relevant
	NH__0001 - HF TRUCK IN ACCESS POSITION SIDE C - SIMPLIFIED 3-D OBJECT	30 mm	Not Relevant
	NSB__0003 - BARREL CALORIMETER LAR DRAIN LINE - SIMPLIFIED 3D OBJECT	19.8 mm	Not Relevant
	NSB__0007 - BARREL LAR INSULATION LINE - SIMPLIFIED 3D OBJECT	6.9 mm	Not Relevant
	NSB__0008 - BARREL LAR BOTTOM FT VACUUM LINES - SIMPLIFIED 3D OBJECT	25.9 mm	Not Relevant
	NSE__0004 - DRAIN PIPE FOR - LAR END-CAP CALORIMETER	20.5 mm	Not Relevant
	NSM__0010 - TB - ELECTRIC BOXES	40 mm	Not Relevant
	NSM__0011 - TB VACUUM PIPE SYSTEM - SIDE C	44 mm	Not Relevant
	NSR__0012 - CABLE TRAYS FOR MUON SERVICES - LEVEL 3 SECTOR 13 SIDE A(C)	4.3 mm	Not Relevant
NTB__0004 - TB CRYORING BOTTOM SECTORS - (11, 13, 15)	12 mm	Not Relevant	

Revised with Alexander Samoshkin 29/11/2005



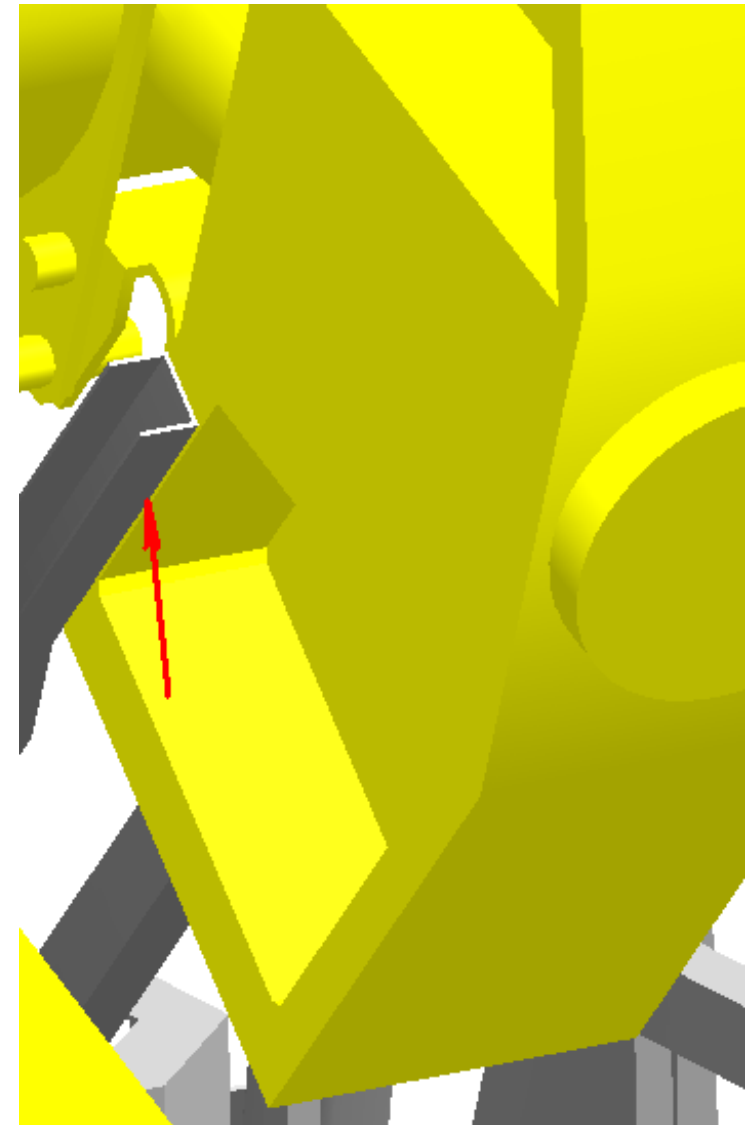
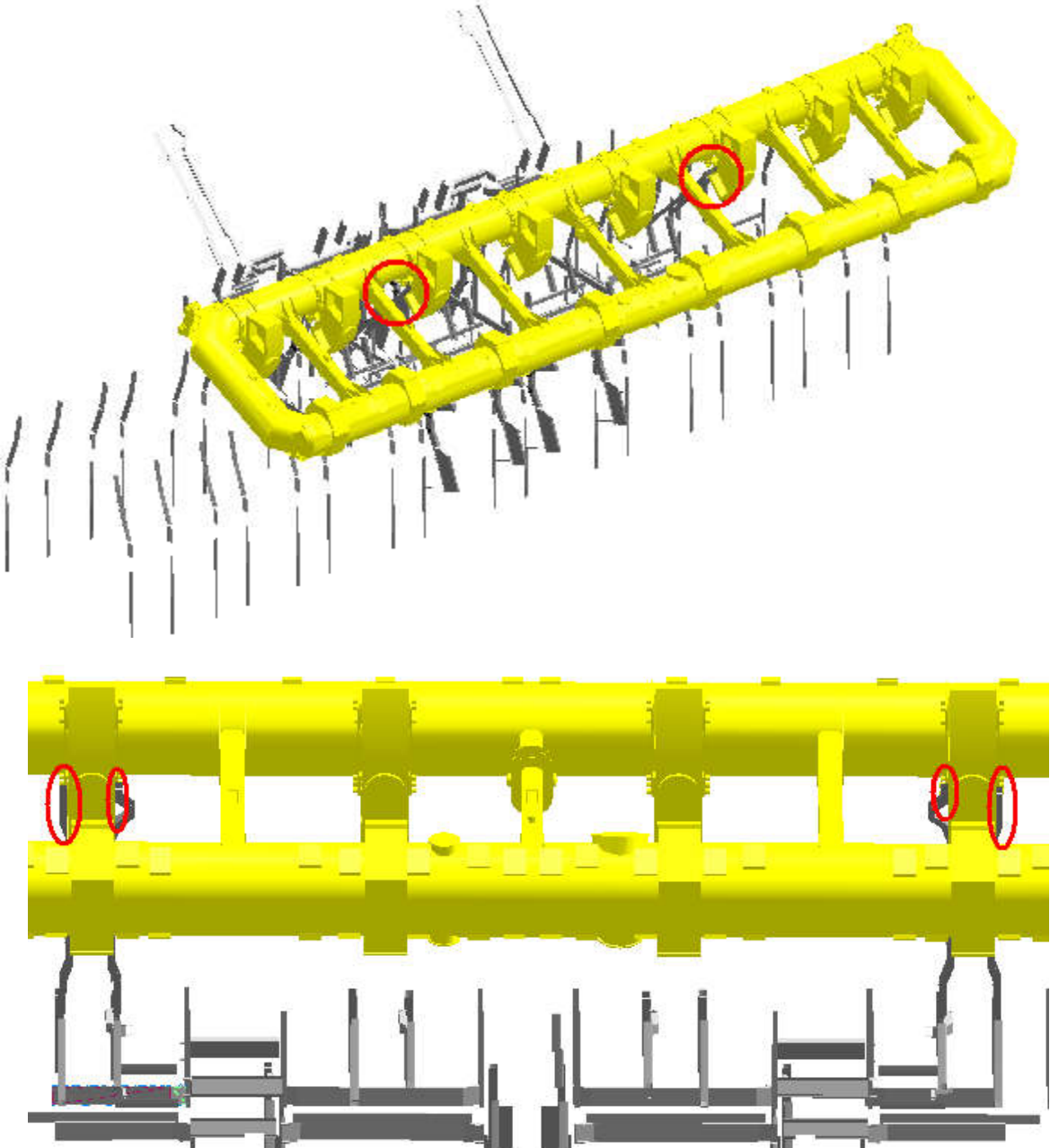
SIDE A-C

Sector 12



SIDE A-C

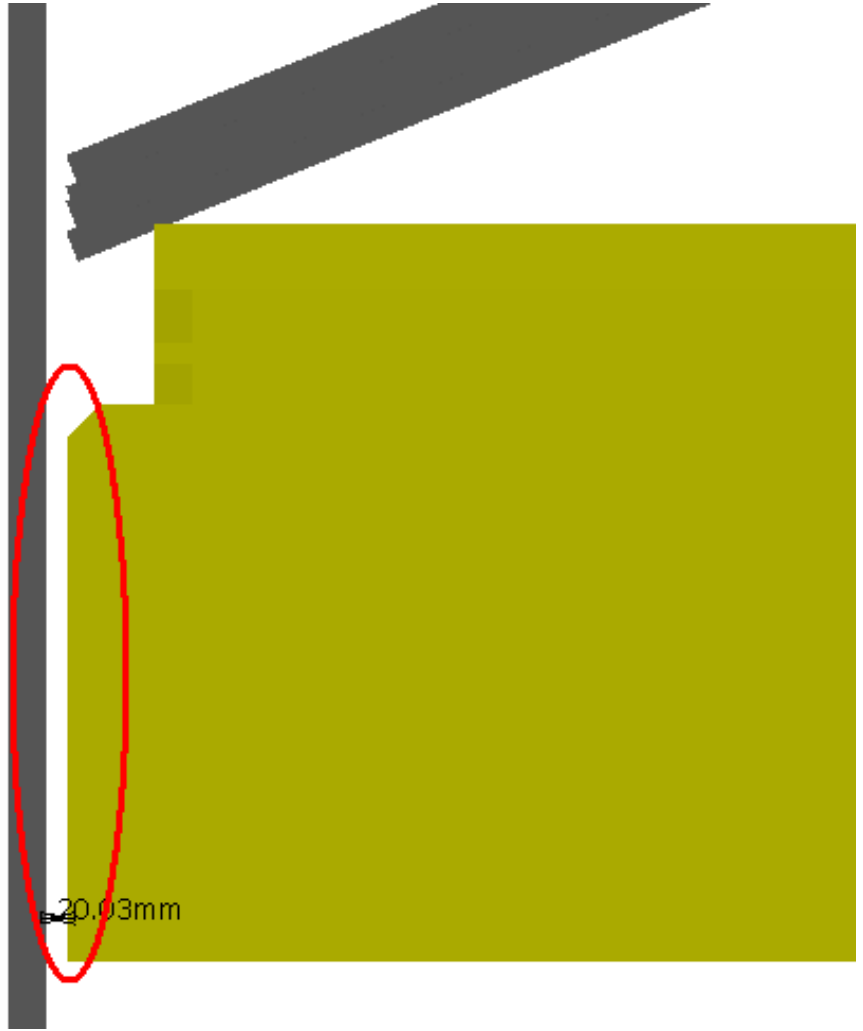
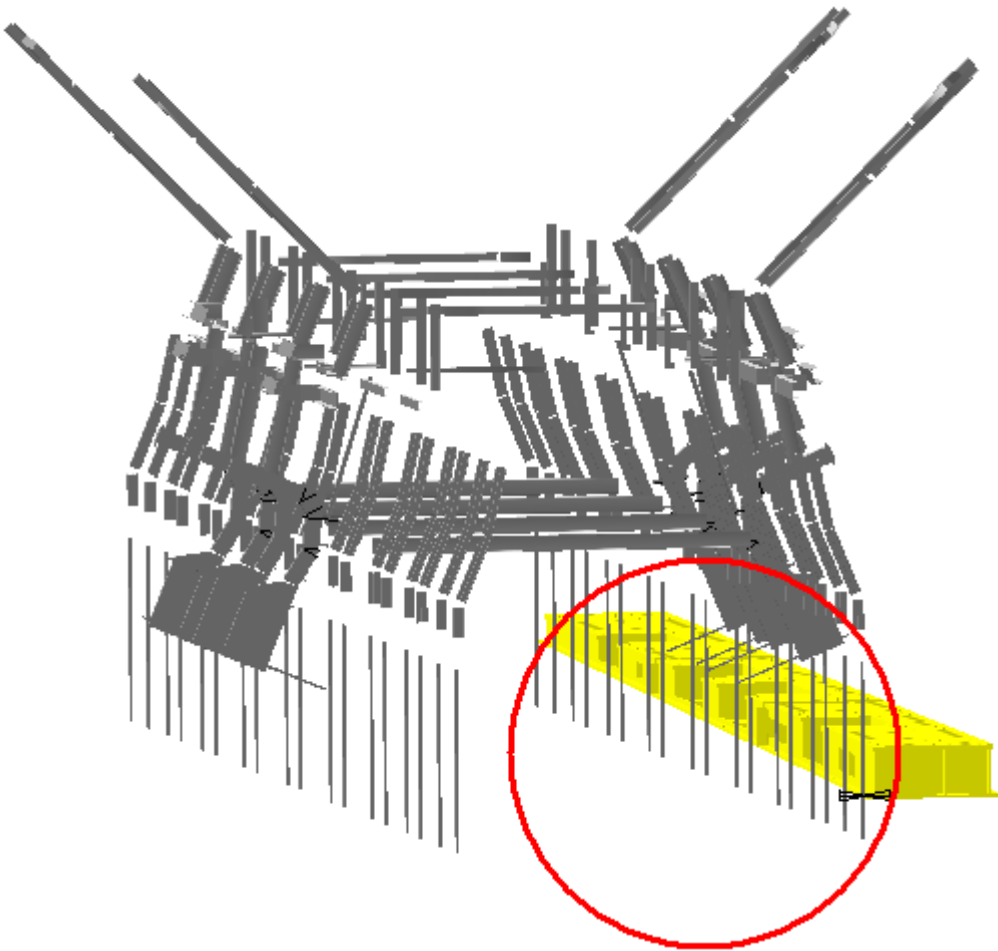
Sector 14



SIDE A-C

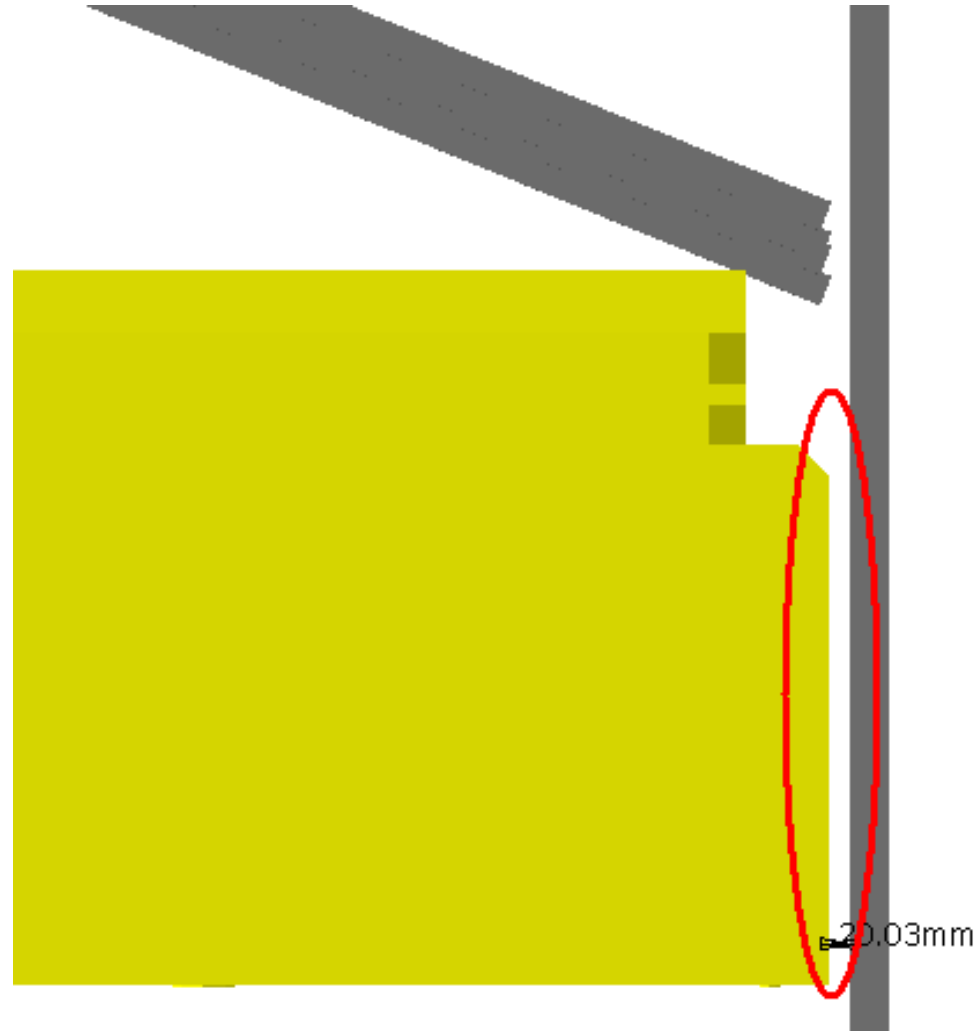
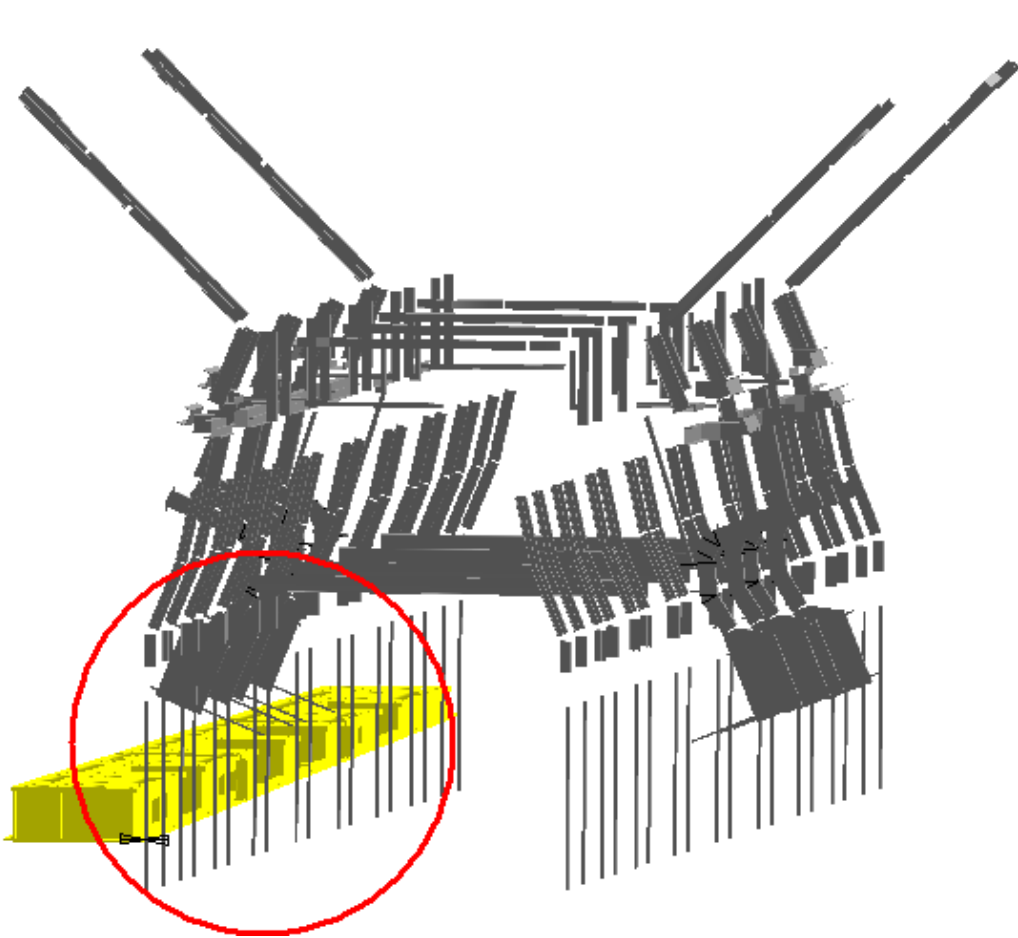
Sector 16

AT782722MQ - ALL CABLE TRAYS /S.13/	VHB_0007 - ASSEMBLY OF BEDPLATES - DETAILED MODEL FOR STANDARDS	Clearance	20 mm			Not Relevant
			$\Delta X \approx -20$	$\Delta Y \approx 0$	$\Delta Z \approx 0$	



SIDE A-C
Sector 12

AT782722MQ - ALL CABLE TRAYS /S.13/	ATCVHB_0007 M - ASSEMBLY OF BEDPLATES - DETAILED MODEL FOR STANDARDS	Clearance	20 mm			Not Relevant
			$\Delta X \approx 20$	$\Delta Y \approx 0$	$\Delta Z \approx 0$	



SIDE A-C

Sector 14

AT782722MQ - ALL
CABLE TRAYS /S.13/

NH_0001 - HF TRUCK IN ACCESS
POSITION SIDE C - SIMPLIFIED 3-D OBJECT

Clearance

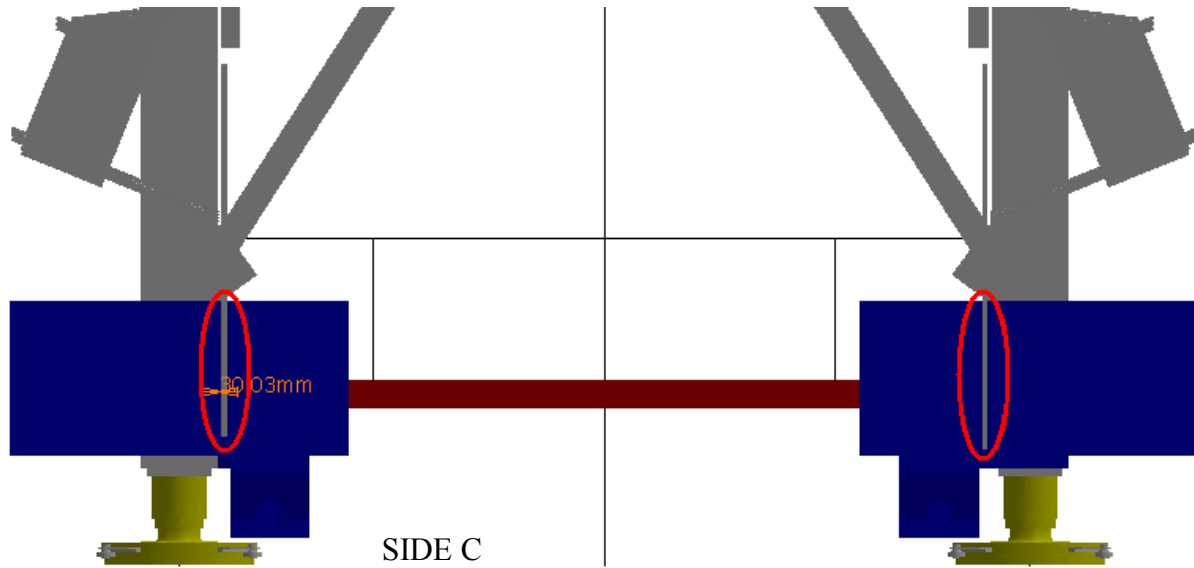
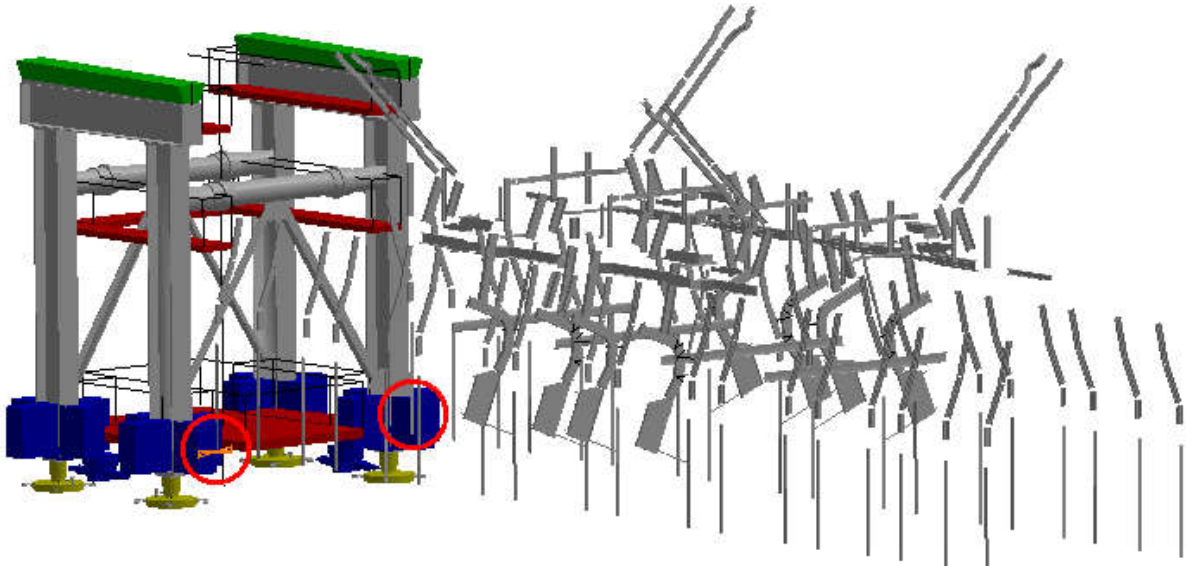
30 mm

Not Relevant

$\Delta X \approx -30$

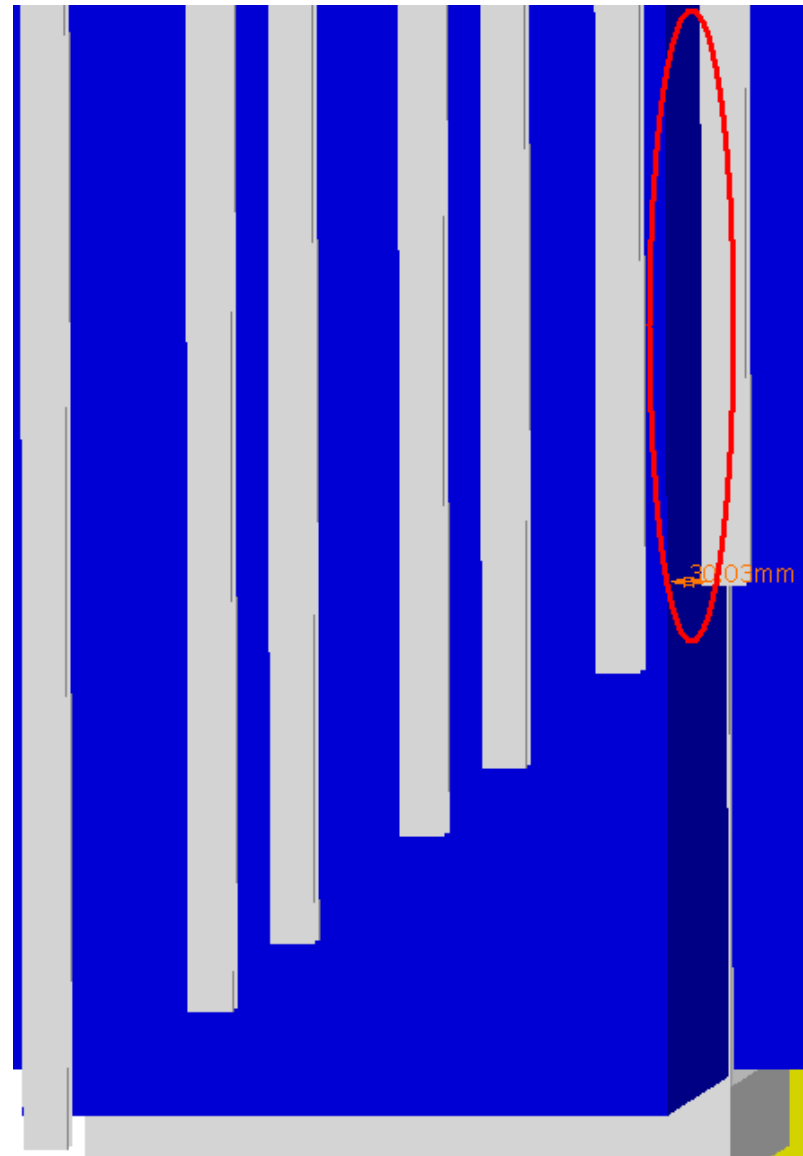
$\Delta Y \approx 0$

$\Delta Z \approx 0$

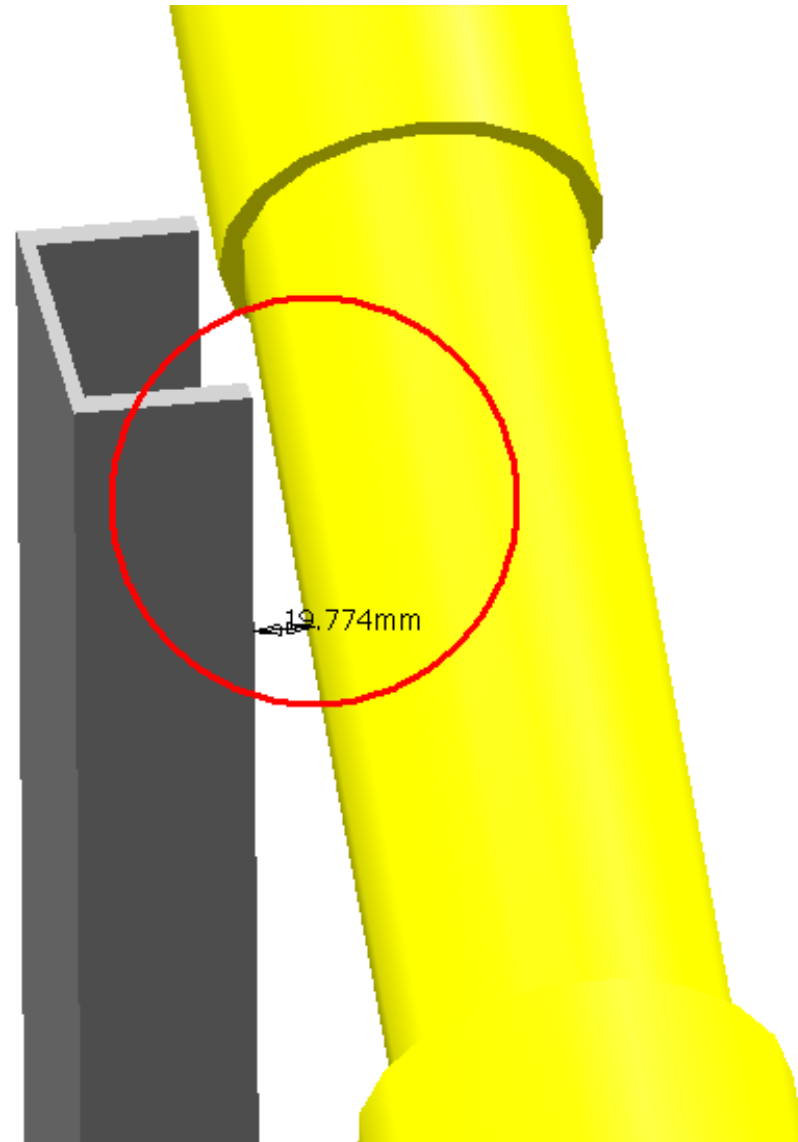
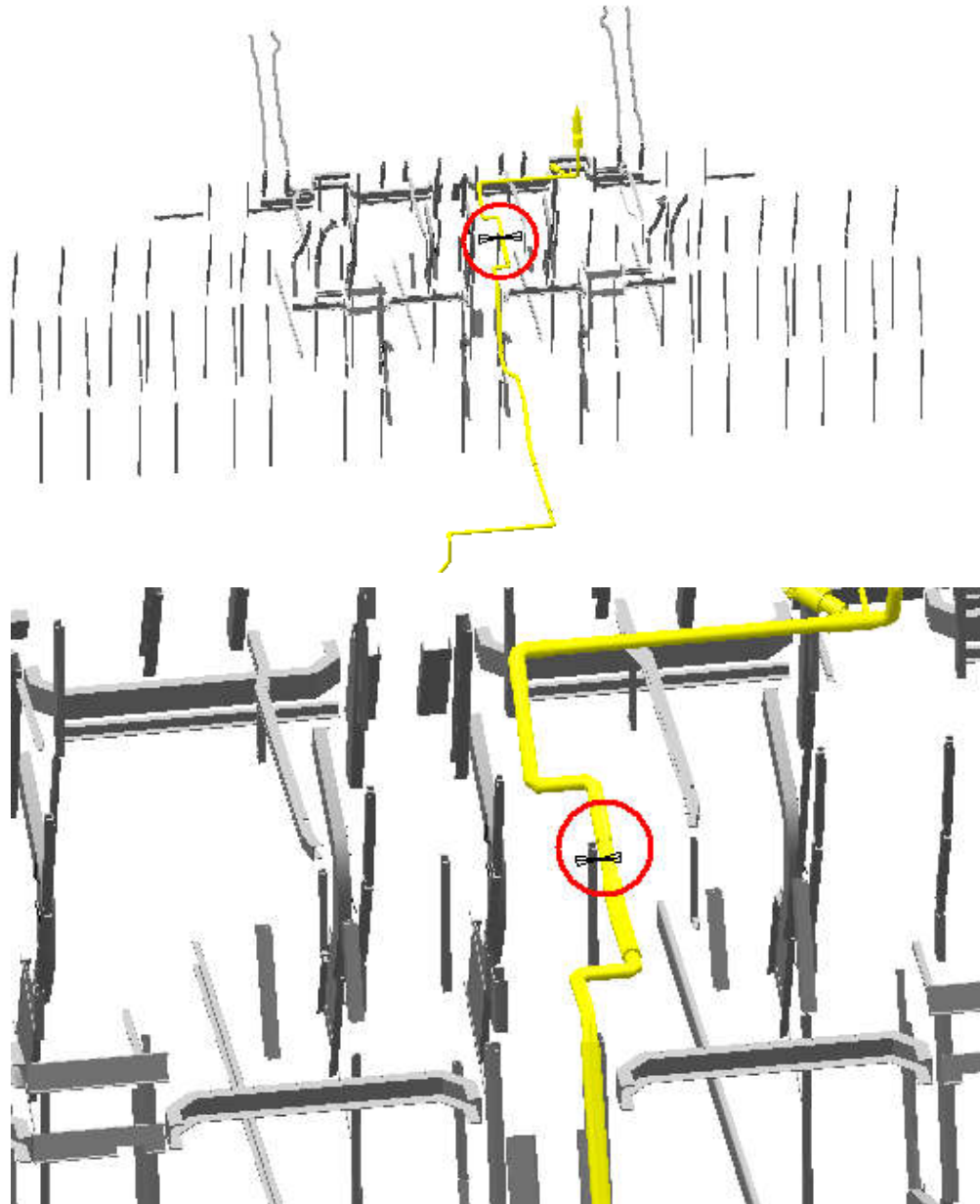


SIDE C

Sectors 12,14

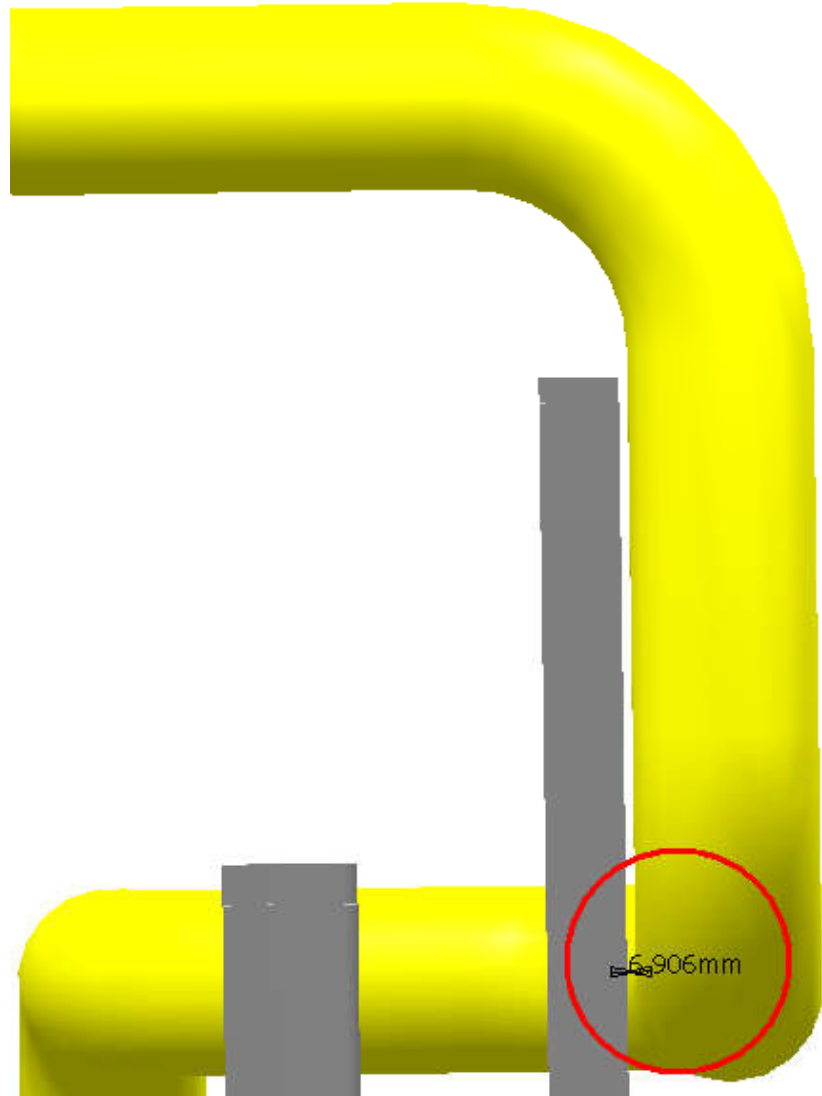
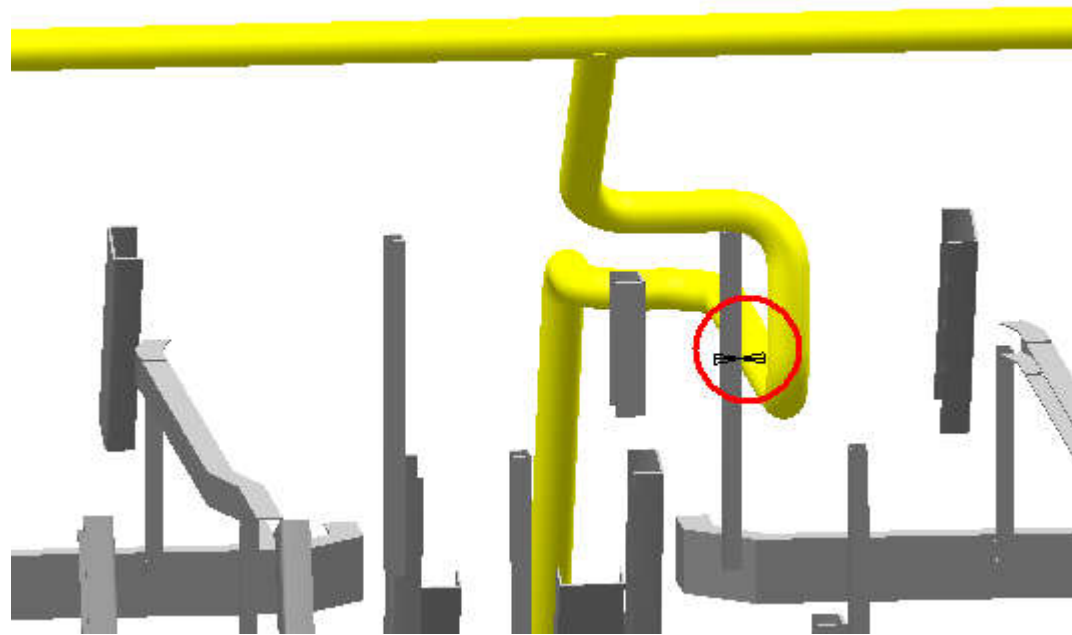
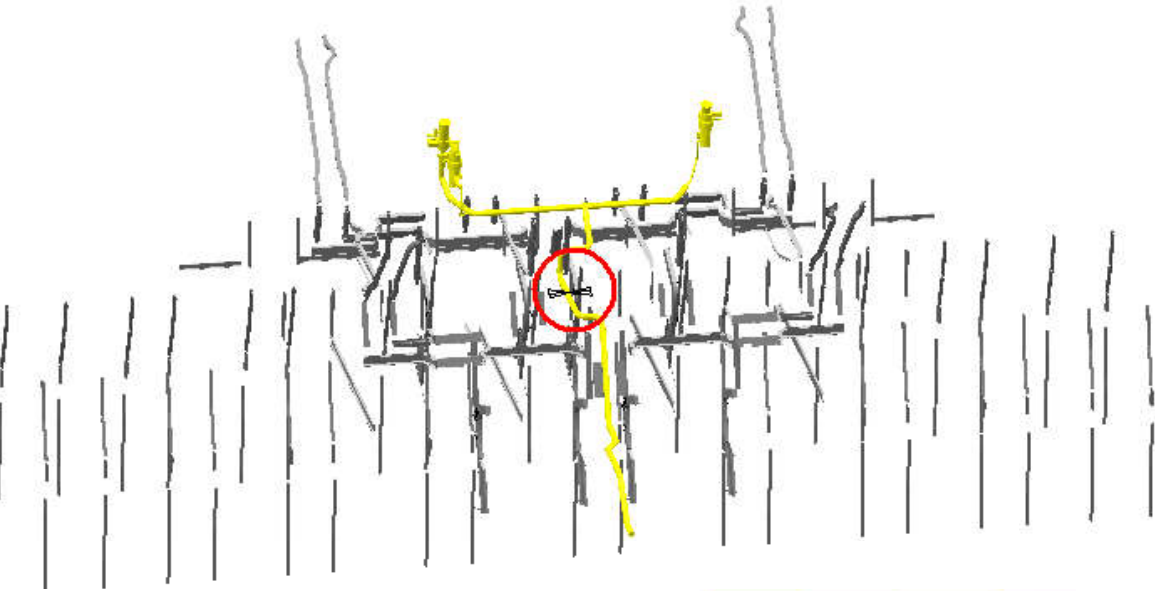


AT782722MQ - ALL CABLE TRAYS /S.13/	NSB_0003 - BARREL CALORIMETER LAR DRAIN LINE - SIMPLIFIED 3D OBJECT	Clearance	19.8 mm			Not Relevant
			$\Delta X \approx 0$	$\Delta Y \approx 0$	$\Delta Z \approx -19.8$	



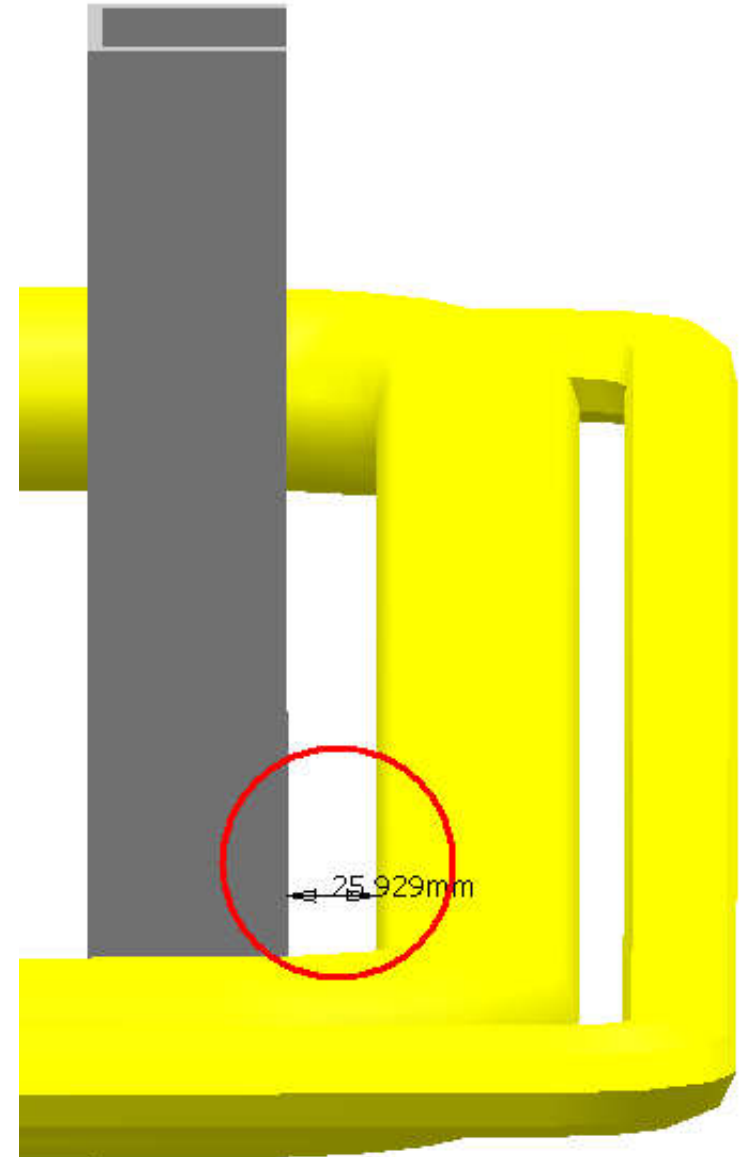
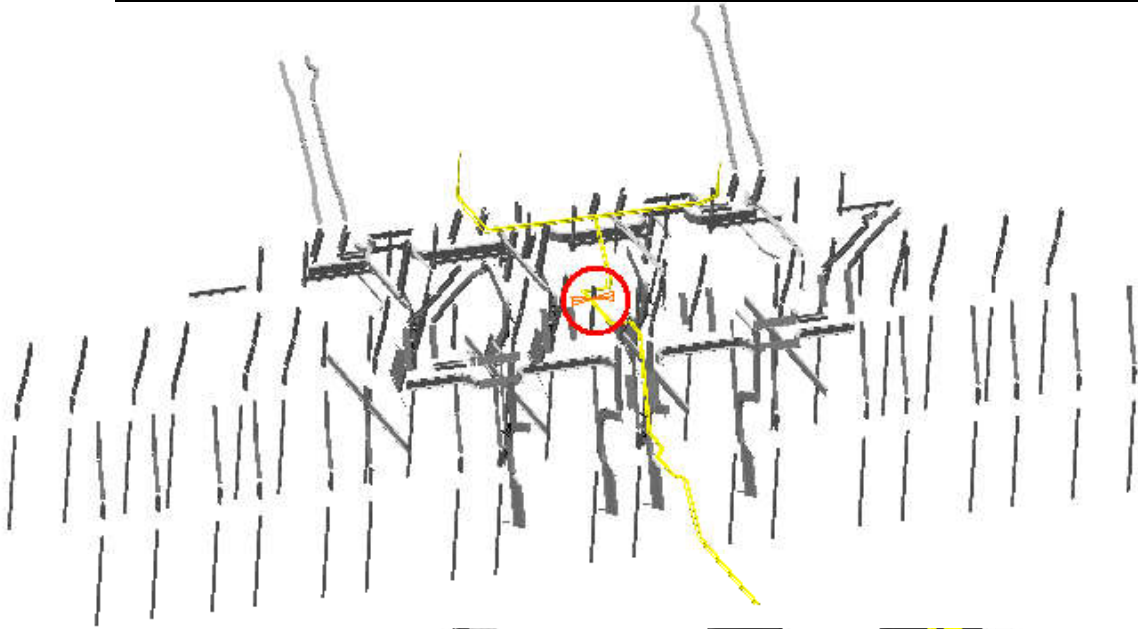
SIDE A
Sector 12

AT782722MQ - ALL CABLE TRAYS /S.13/	NSB_0007 - BARREL LAR INSULATION LINE - SIMPLIFIED 3D OBJECT	Clearance	6.9 mm			Not Relevant
			$\Delta X \approx 0$	$\Delta Y \approx 0$	$\Delta Z \approx 6.9$	



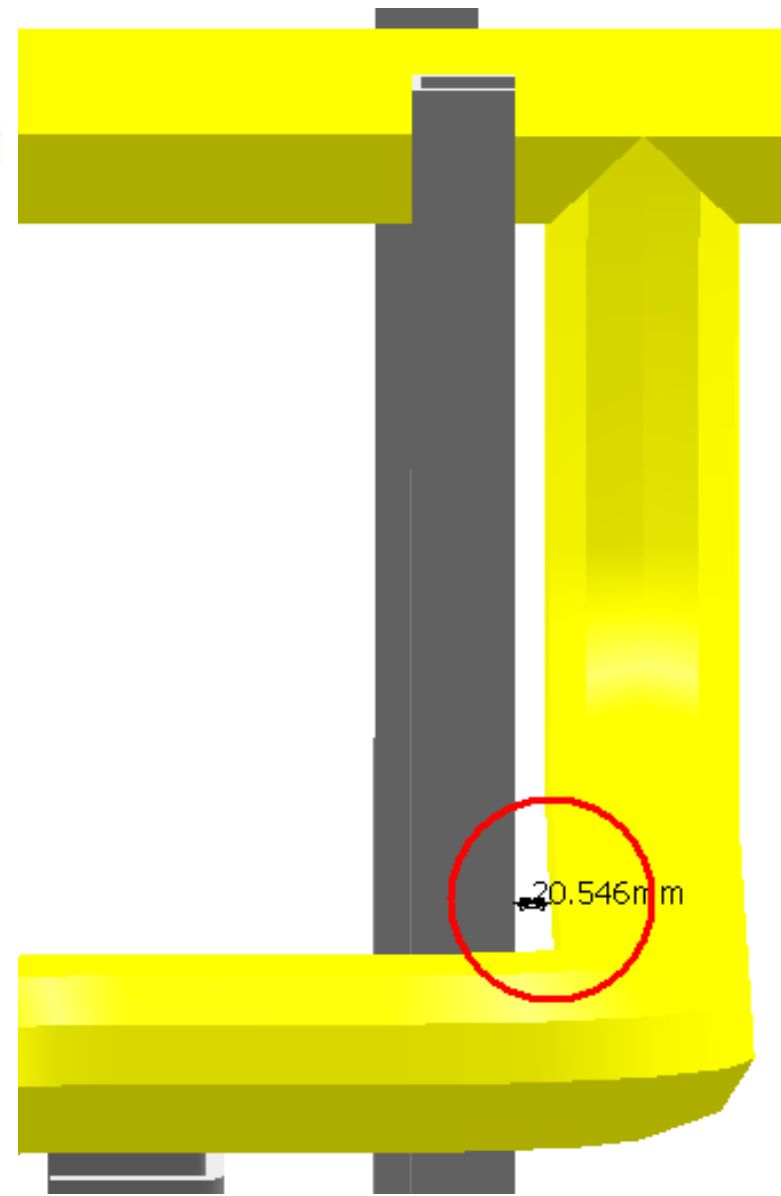
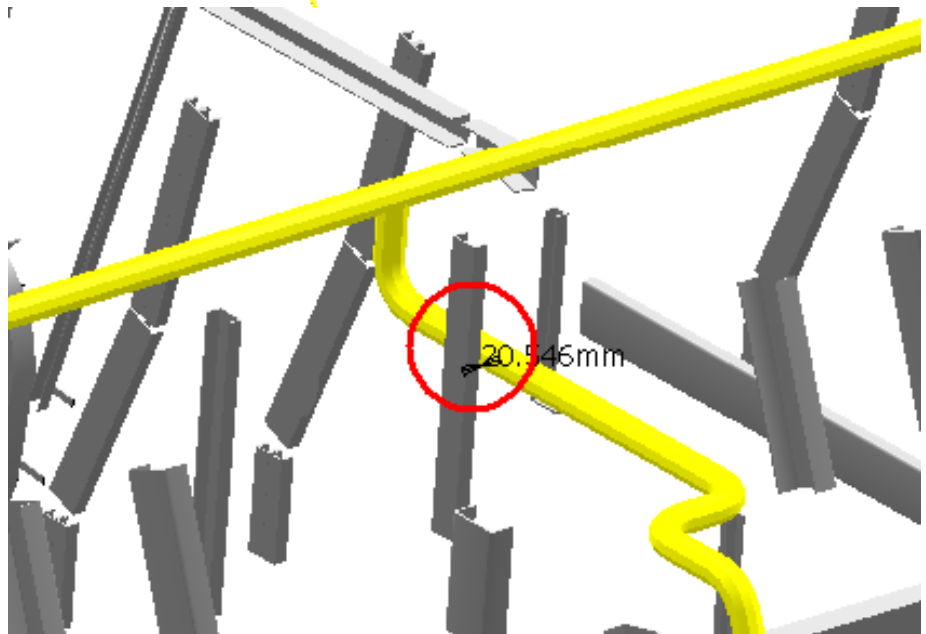
SIDE C
Sector 12

AT782722MQ - ALL CABLE TRAYS /S.13/	NSB_0008 - BARREL LAR BOTTOM FT VACUUM LINES - SIMPLIFIED 3D OBJECT	Clearance	25.9 mm			Not Relevant
			$\Delta X \approx 0$	$\Delta Y \approx 0$	$\Delta Z \approx 25.9$	



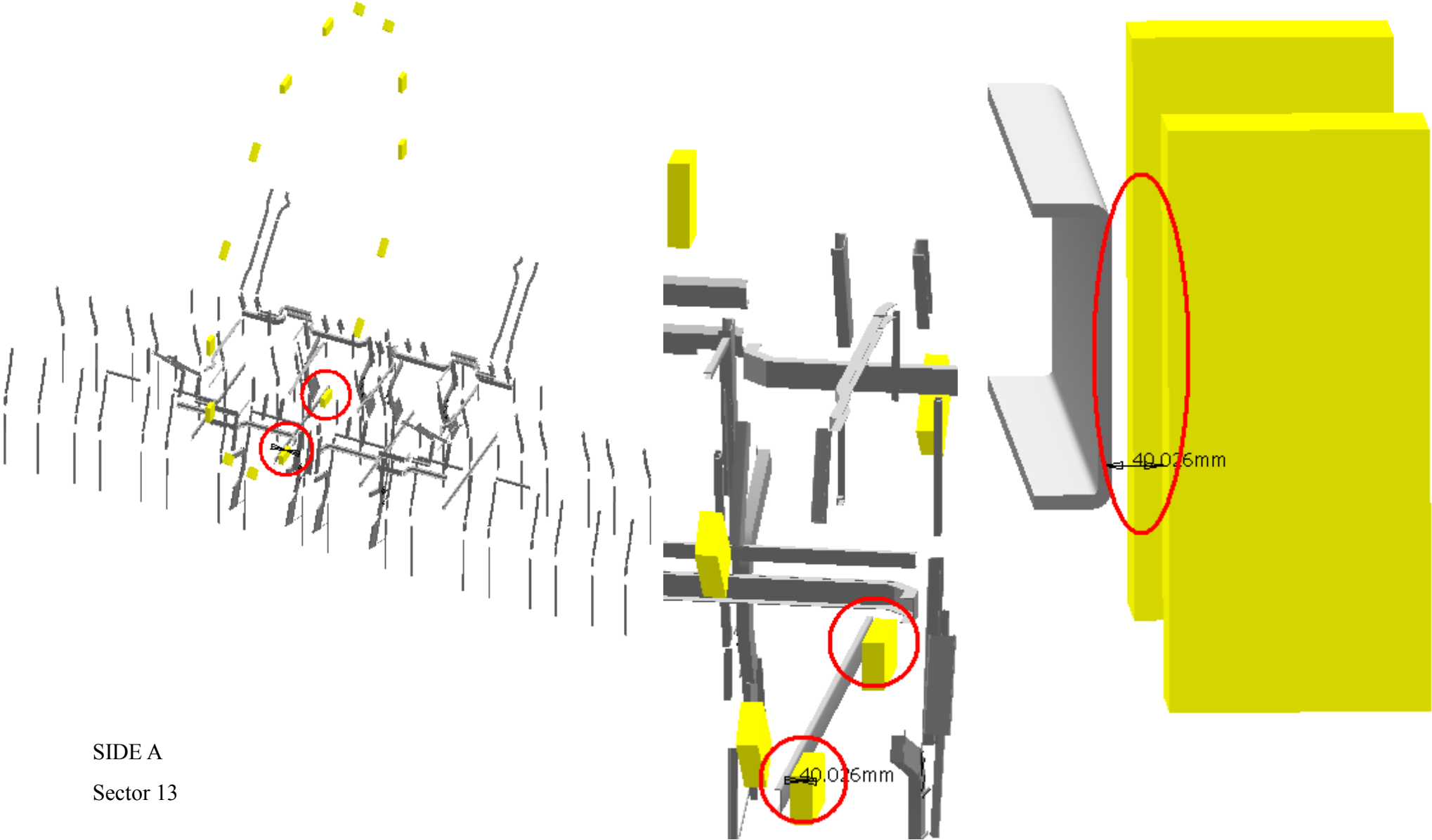
SIDE C
Sector 12

AT782722MQ - ALL CABLE TRAYS /S.13/	NSE_0004 - DRAIN PIPE FOR - LAR END-CAP CALORIMETER	Clearance	20.5 mm			Not Relevant
			$\Delta X \approx 0$	$\Delta Y \approx 0$	$\Delta Z \approx -20.5$	



SIDE A
Sector 12

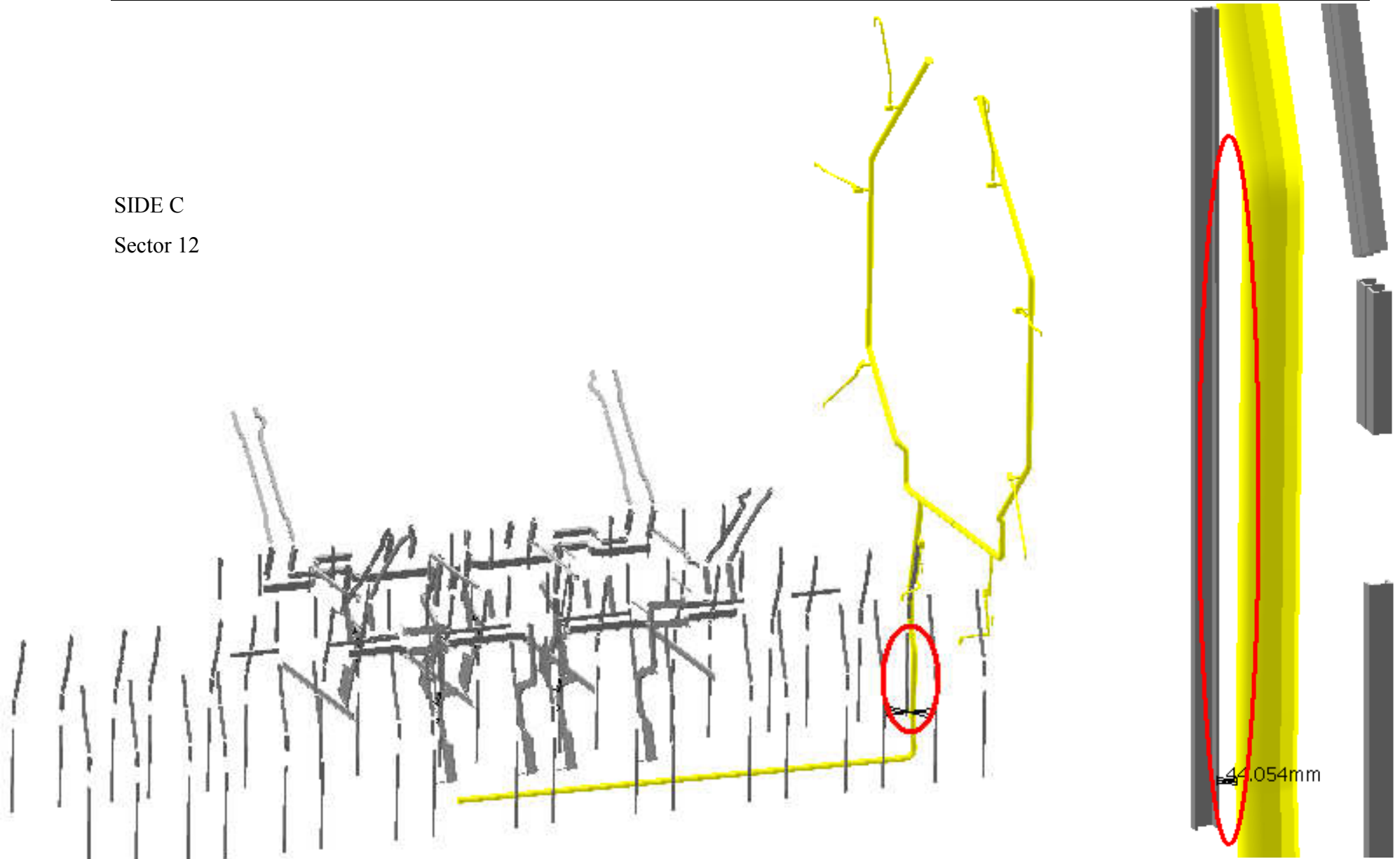
AT782722MQ - ALL CABLE TRAYS /S.13/	NSM__0010 - TB - ELECTRIC BOXES	Clearance	40 mm			Not Relevant
			$\Delta X \approx 0$	$\Delta Y \approx 0$	$\Delta Z \approx 40$	



SIDE A
Sector 13

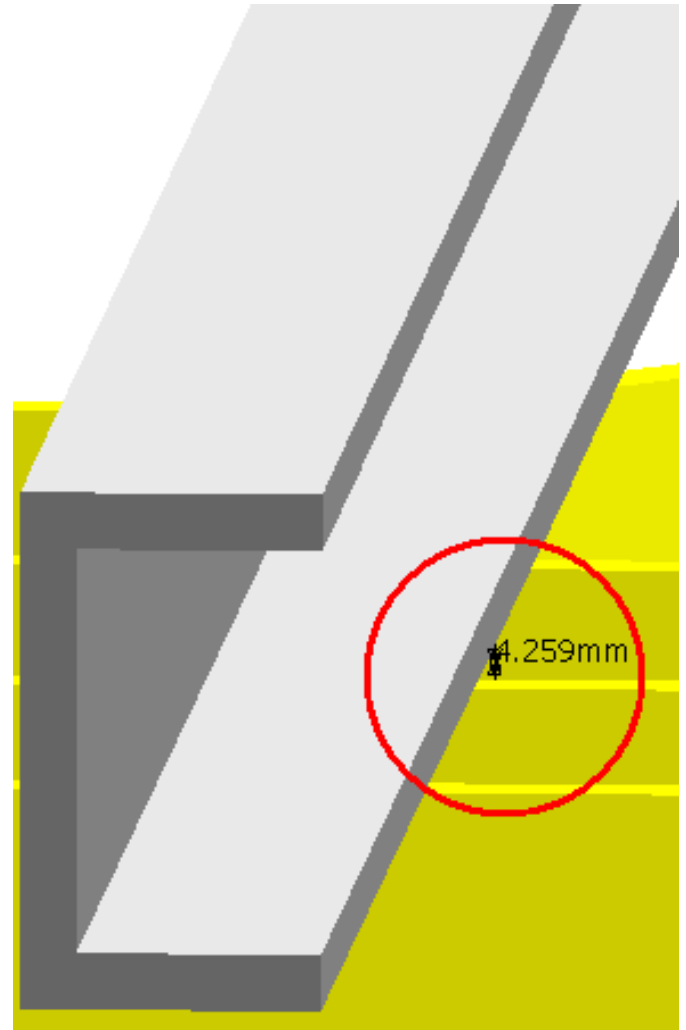
AT782722MQ - ALL CABLE TRAYS /S.13/	NSM_0011 - TB VACUUM PIPE SYSTEM - SIDE C	Clearance	44 mm			Not Relevant
			$\Delta X \approx 22$	$\Delta Y \approx 0$	$\Delta Z \approx 38.2$	

SIDE C
Sector 12



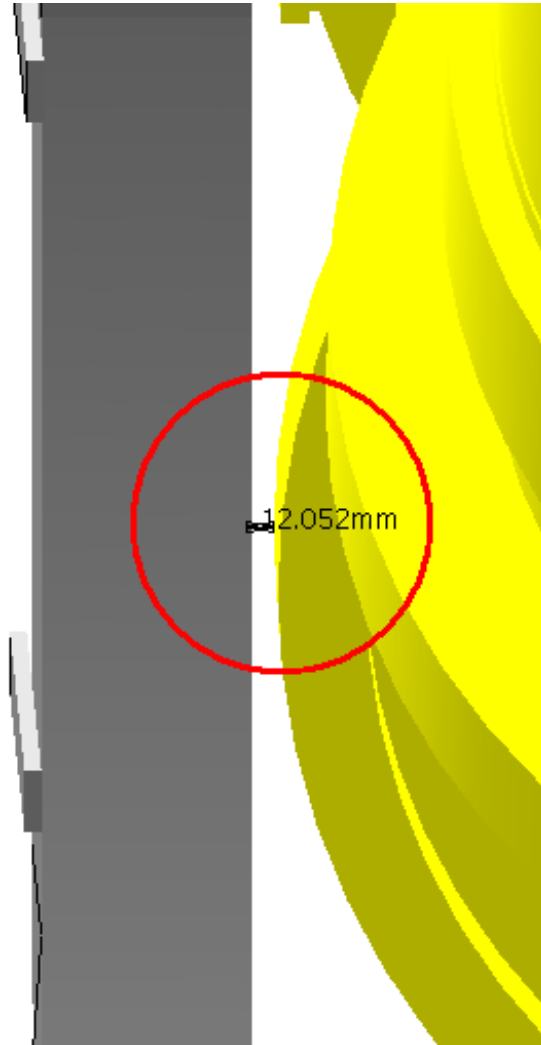
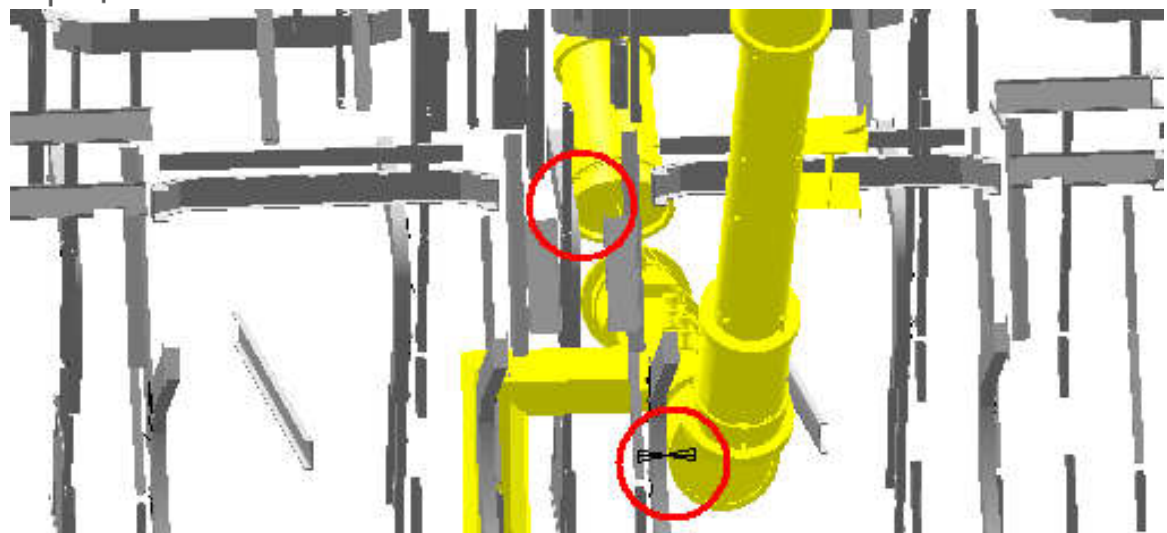
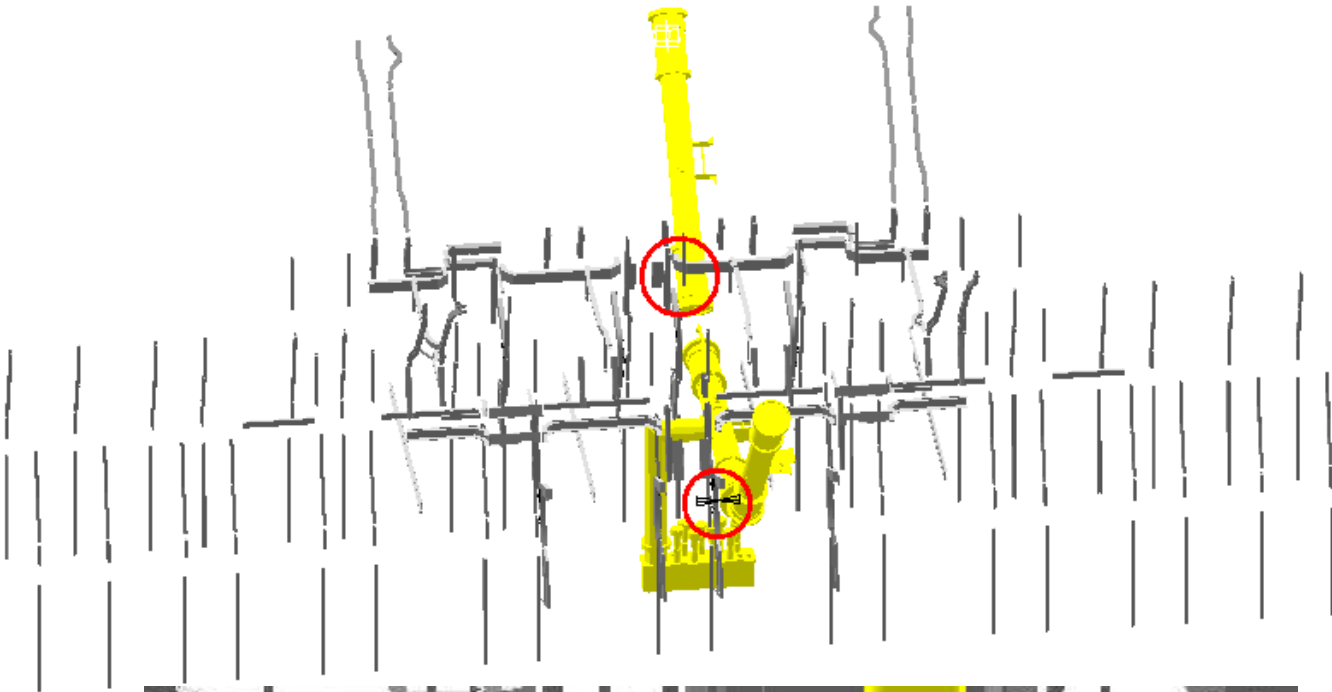
44.054mm

AT782722MQ - ALL CABLE TRAYS /S.13/	NSR_0012 - CABLE TRAYS FOR MUON SERVICES - LEVEL 3 SECTOR 13 SIDE A(C)	Clearance	4.3 mm			Not Relevant
			$\Delta X \approx 0$	$\Delta Y \approx -4.3$	$\Delta Z \approx 0$	



SIDE A
Sector 14

AT782722MQ - ALL CABLE TRAYS /S.13/	NTB_0004 - TB CRYORING BOTTOM SECTORS - (11, 13, 15)	Clearance	12 mm			Not Relevant
			$\Delta X \approx 0$	$\Delta Y \approx 0$	$\Delta Z \approx 12$	



SIDE C
Sector 12,14