

Clearance Publish

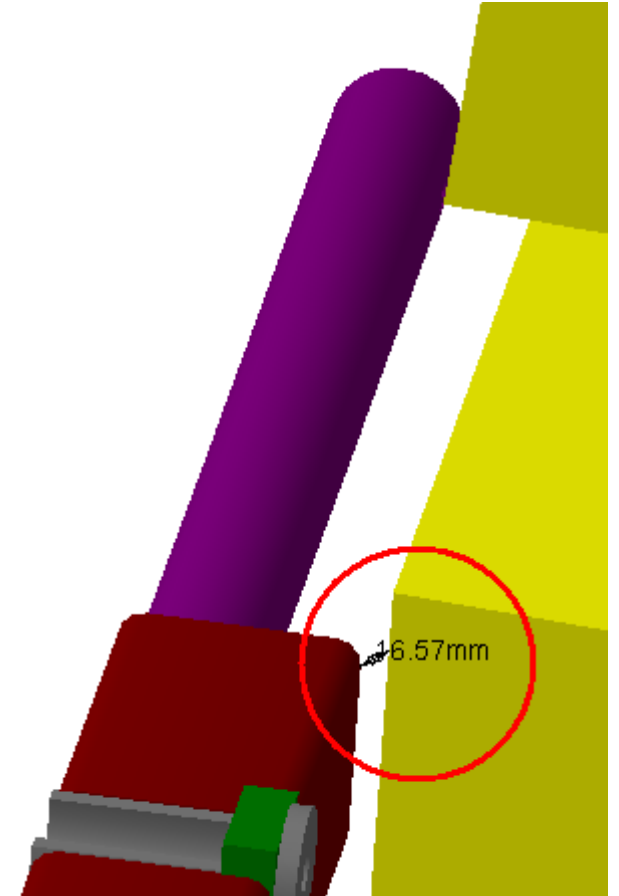
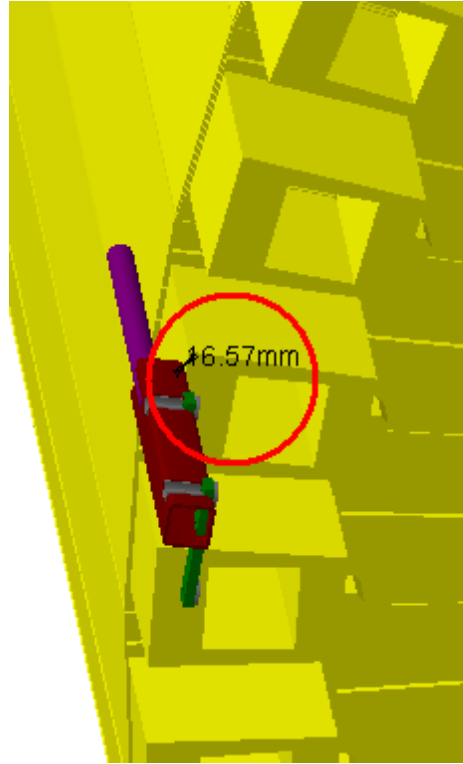
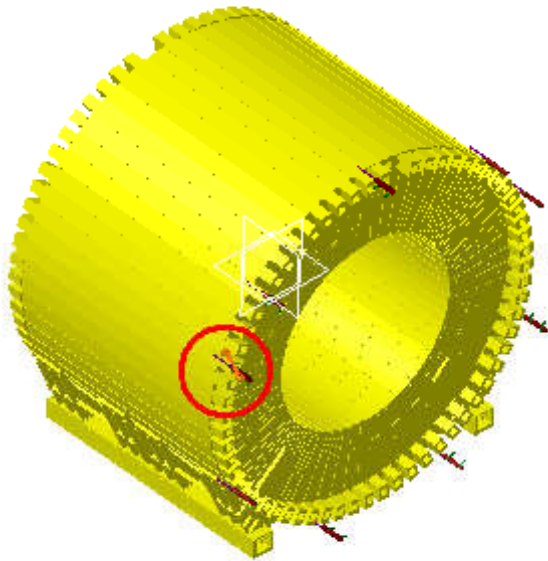
Clearance=50mm



Clearance Computation Specification			
Products Selected			
ATCNHX_0004 ENDCAP PIN ASSEMBLY (SIDE C) - FOR ROUND SCAFFOLDING	ATCNLB_0002 LB TILE CALORIMETER - SIMPLIFIED 3-D OBJECT	16.57	Not inspected
	ATCNSB_0011 BARREL CALORIMETER SERVICES - IN SECTOR 1 ON SIDE C(A)	27.07	Not inspected
	ATCNSB_0012 BARREL CALORIMETER SERVICES - IN SECTOR 3(7) ON SIDE C(A)	27.08	Not inspected
	ATCNSB_0014 BARREL CALORIMETER SERVICES - IN SECTOR 5 ON SIDE C	27.07	Not inspected

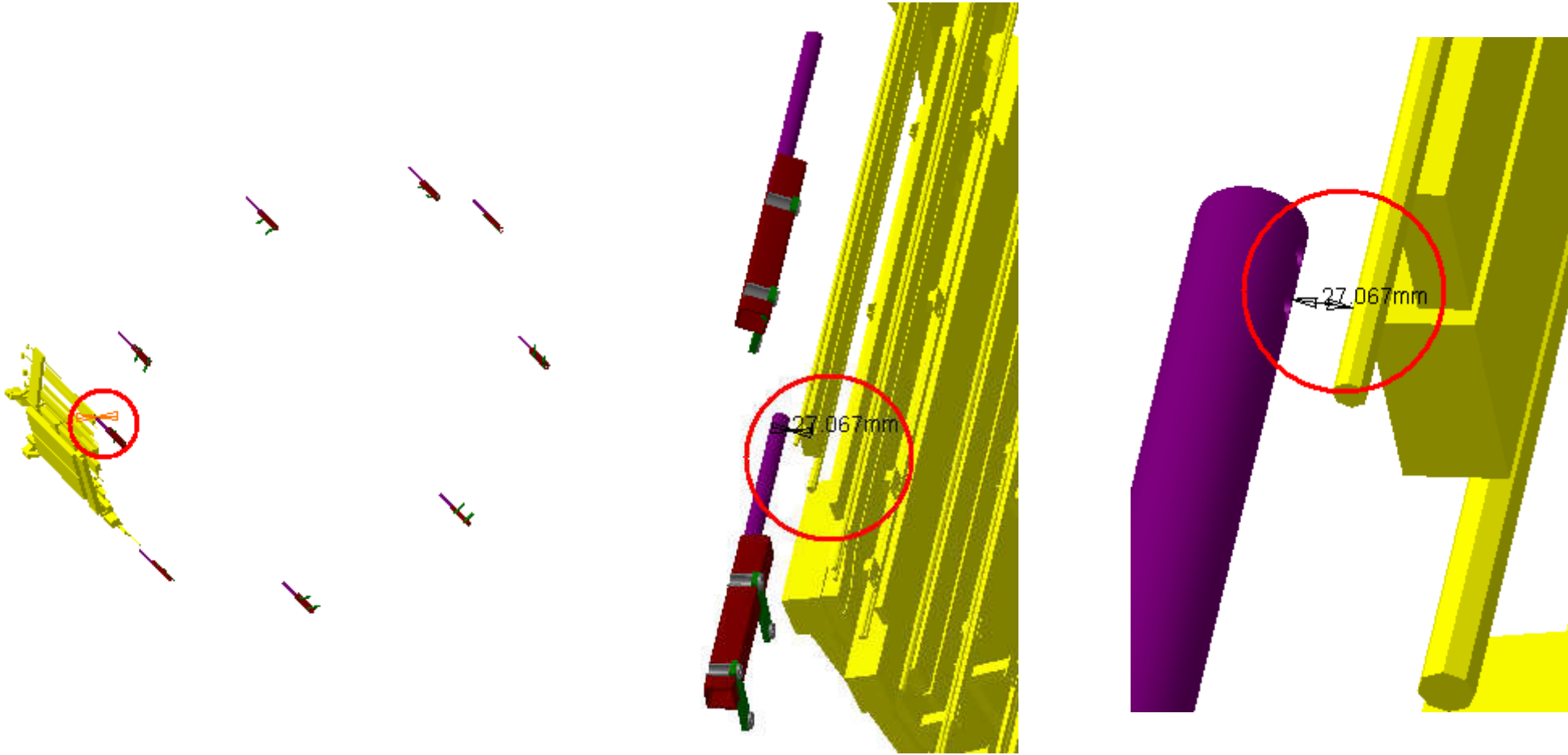
Computation Result:

ATCNHX_0004 ENDCAP PIN ASSEMBLY (SIDE C) - FOR ROUND SCAFFOLDING	ATCNLB_0002 LB TILE CALORIMETER - SIMPLIFIED 3-D OBJECT	Vector coordinate $\Delta X \approx -7.51\text{mm}$ $\Delta Y \approx -2.87\text{mm}$ $\Delta Z \approx -14.49\text{mm}$	16.57mm	Not inspected
--	---	---	---------	---------------



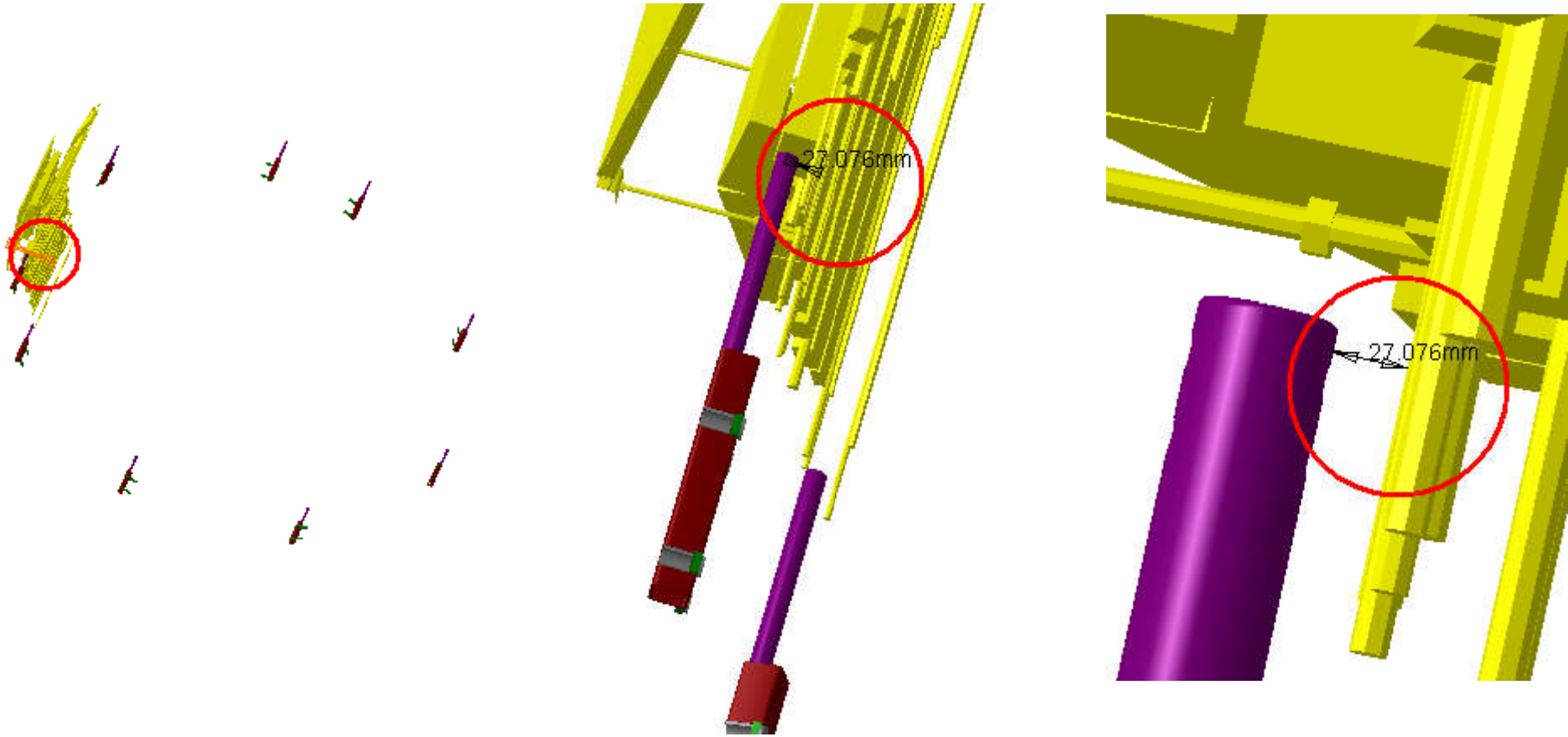
Side C
Sector 3

ATCNHX_0004 ENDCAP PIN ASSEMBLY (SIDE C) - FOR ROUND SCAFFOLDING	ATCNSB_0011 BARREL CALORIMETER SERVICES - IN SECTOR 1 ON SIDE C(A)	Vector coordinate $\Delta X \approx -23.73\text{mm}$ $\Delta Y \approx -13.02\text{mm}$ $\Delta Z \approx 0.16\text{mm}$	27.07mm	Not inspected
--	--	---	---------	---------------



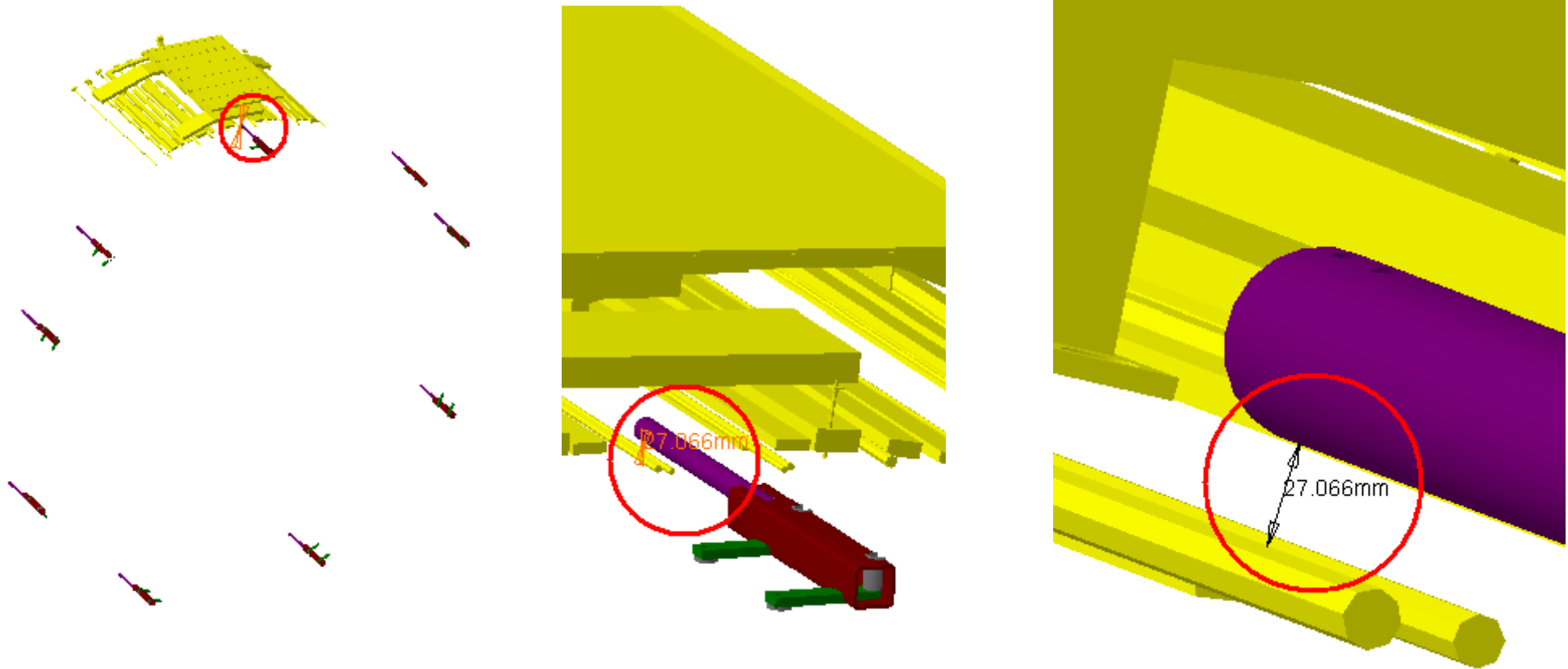
Side C
Sector 2

ATCNHX_0004 ENDCAP PIN ASSEMBLY (SIDE C) - FOR ROUND SCAFFOLDING	ATCNSB_0012 BARREL CALORIMETER SERVICES - IN SECTOR 3(7) ON SIDE C(A)	Vector coordinate $\Delta X \approx -16.94\text{mm}$ $\Delta Y \approx -21.12\text{mm}$ $\Delta Z \approx -0.26\text{mm}$	27.08mm	Not inspected
--	---	--	---------	---------------



Side C
Sector 3

ATCNHX_0004 ENDCAP PIN ASSEMBLY (SIDE C) - FOR ROUND SCAFFOLDING	ATCNSB_0014 BARREL CALORIMETER SERVICES - IN SECTOR 5 ON SIDE C	Vector coordinate $\Delta X \approx 2.93\text{mm}$ $\Delta Y \approx -26.9\text{mm}$ $\Delta Z \approx 0.33\text{mm}$	27.07mm	Not inspected
--	---	--	---------	---------------



Side C
 Sector 5