



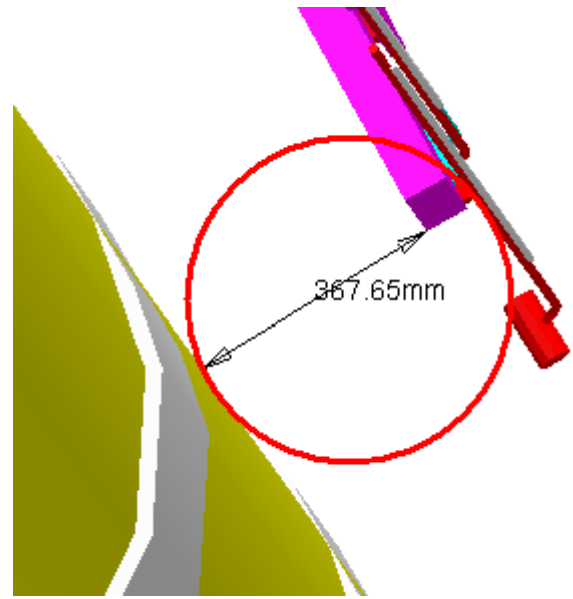
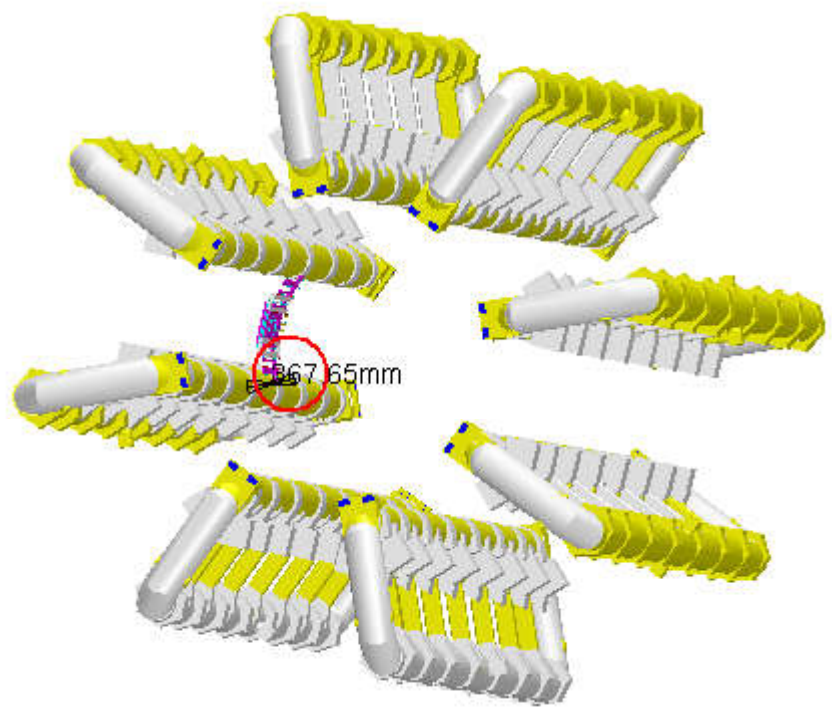
# Environment Publish

Environment=500

Environment Computation Specification		
Products Selected		
NSB_0011 BARREL CALORIMETER SERVICES - IN SECTOR 1 ON SIDE C(A)	ATCZTB_0002 GLOBAL TB ENVELOPE (8 COILS)	367.65 mm
	ATCNTB_0001 BT16 TB STANDARD COIL - SECTORS 16	403.72 mm
	ATCNTB_0001 BT2 TB STANDARD COIL - SECTORS 2	403.72 mm
	ATCNMA_0011 SECTOR 02 SIDE C (A) - REFERENCE ALIGNMENT SYSTEM AND	379.71 mm
	ATCNMA_0018 SECTOR 16 SIDE C (A) - REFERENCE ALIGNMENT SYSTEM AND	394.59 mm
	ATCNSB_0004 LAR BARREL ELECTRONIC CRATES - SIMPLIFIED 3-D OBJECT	442..43 mm

**Computation Result:**

NSB__0011	ATCZTB__0002	Environment	Not inspected
-----------	--------------	-------------	---------------



value =367.65 mm

Side C (US 15)

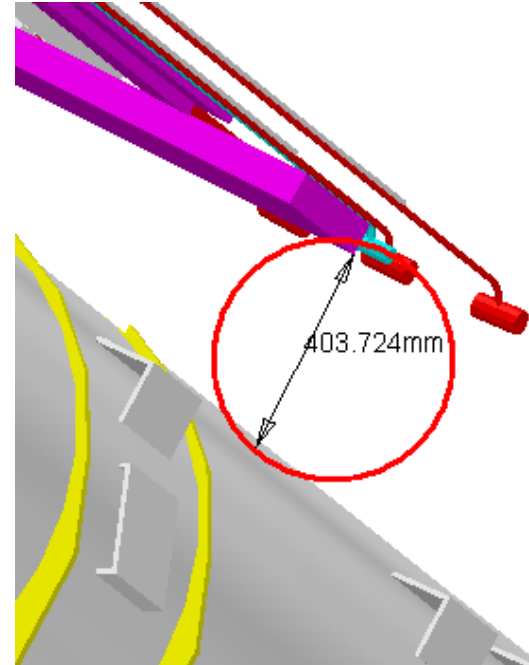
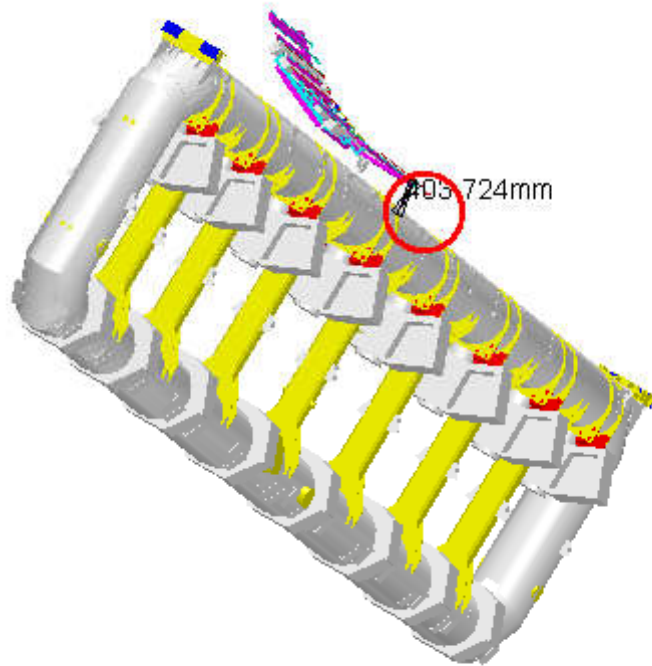
Sector 16

NSB\_0011

ATCNTB\_0001 BT16

Environment

Not inspected

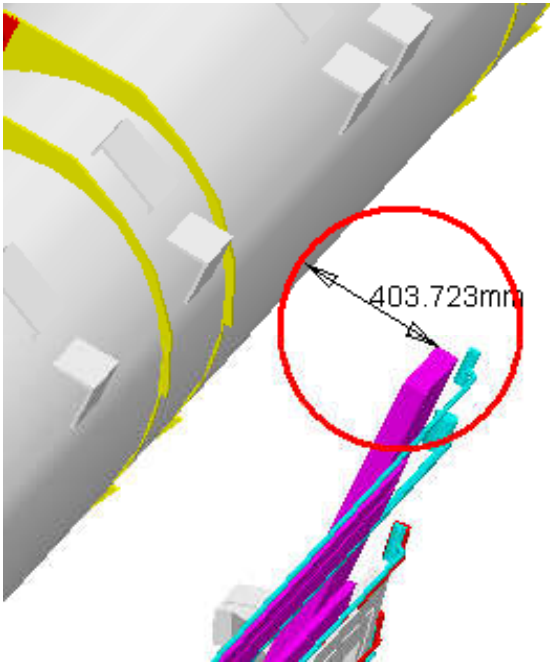
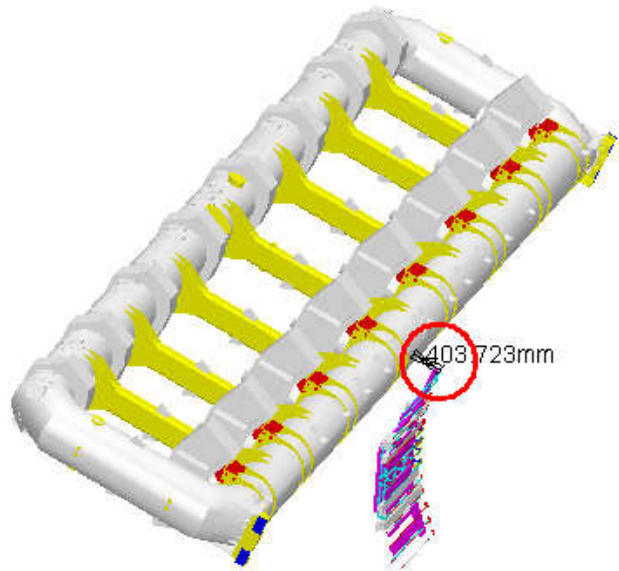


value =403.72 mm

Side C (US 15)

Sector 16

NSB_0011	ATCNTB_0001 BT2	Environment	Not inspected
----------	-----------------	-------------	---------------

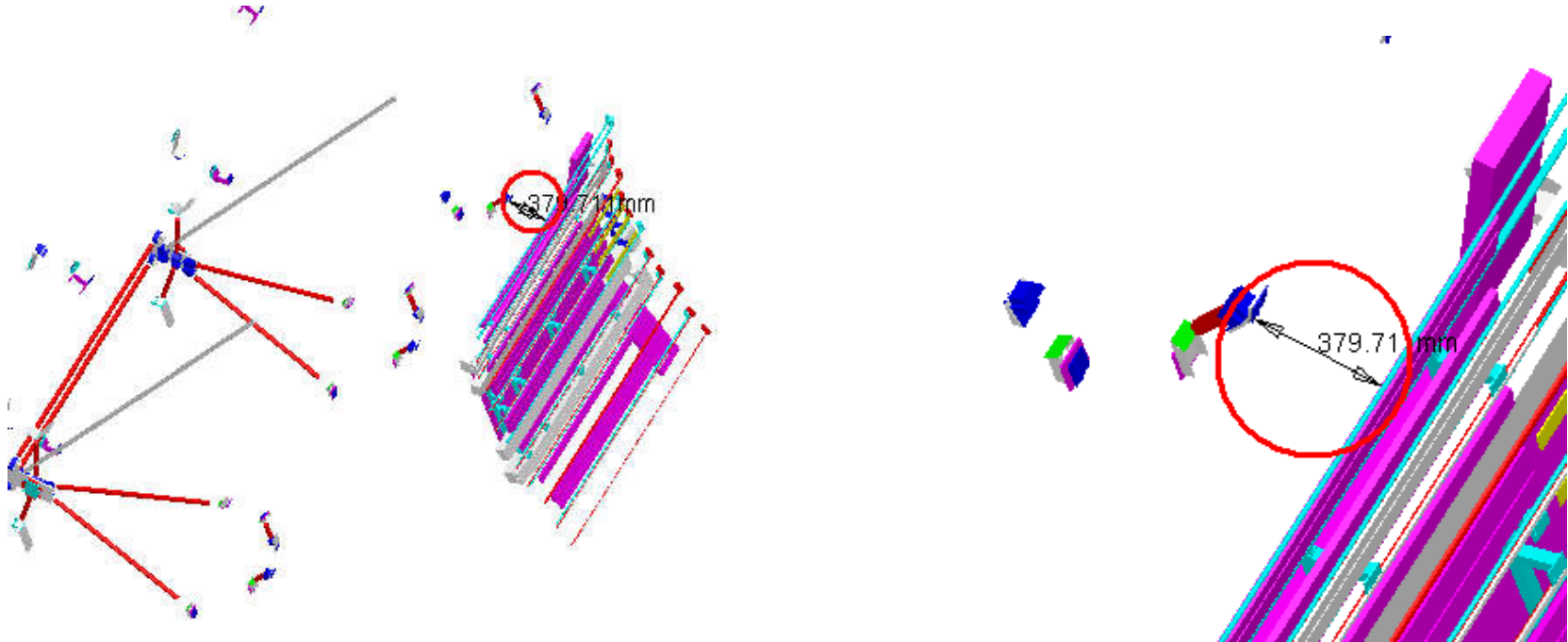


value =403.72 mm

Side C (US 15)

Sector 2

NSB_0011	ATCNMA_0011	Environment	Not inspected
----------	-------------	-------------	---------------

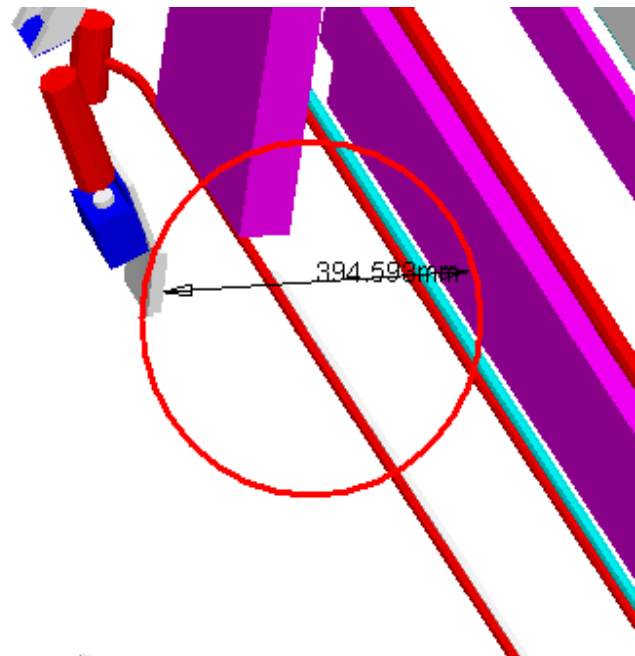
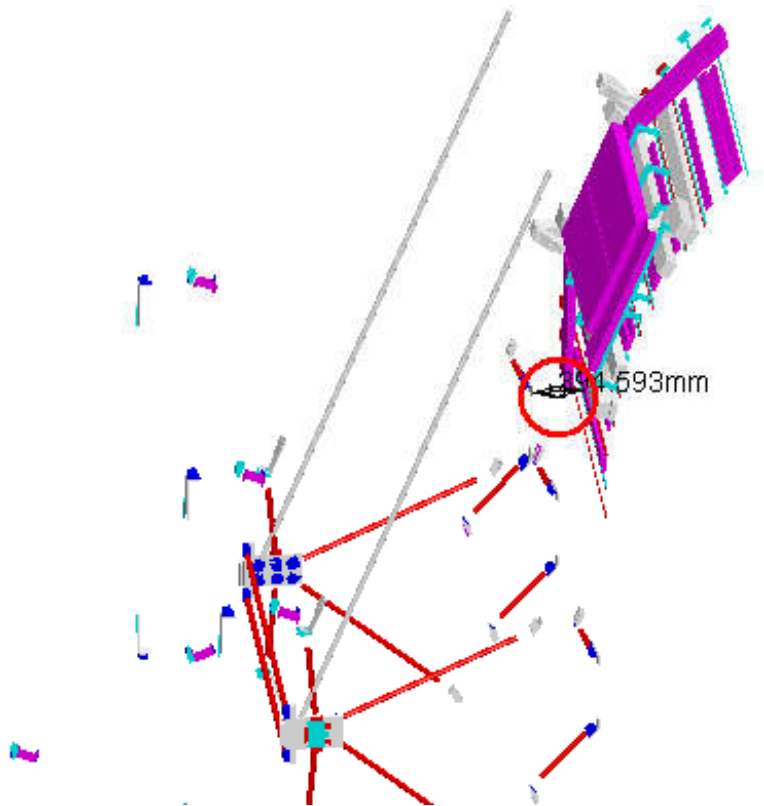


value =379.71 mm

Side C (US 15)

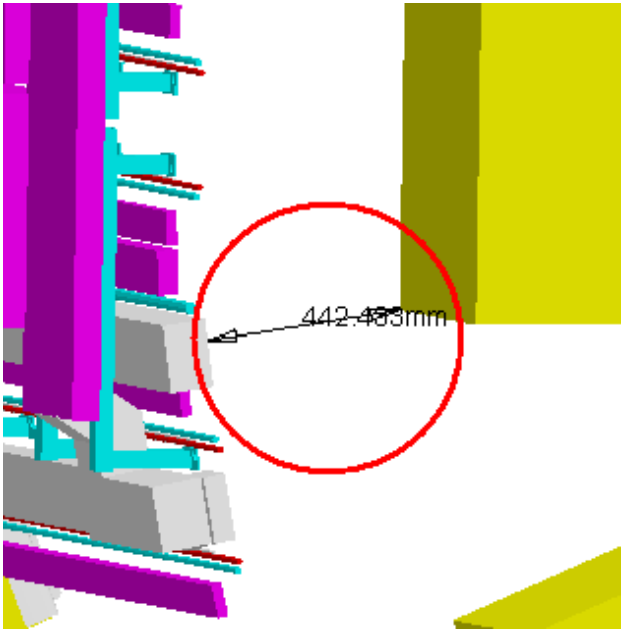
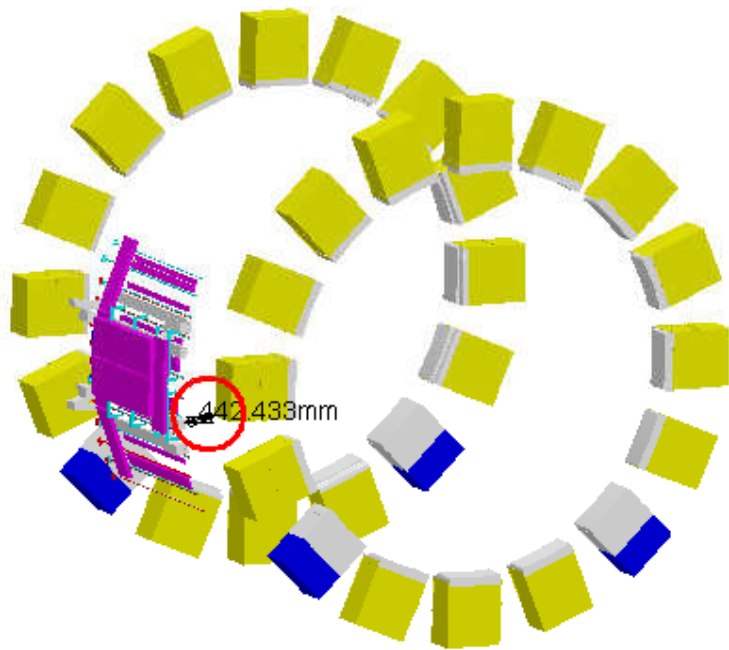
Sector 2

NSB__0011	ATCNMA__0018	Environment	Not inspected
-----------	--------------	-------------	---------------



value =349.59 mm  
Side C (US 15)  
Sector 16

NSB__0011	ATCNSB__0004	Environment	Not inspected
-----------	--------------	-------------	---------------



value =442.43 mm  
Side C (US 15)  
Sector 1