

Clearance Publish

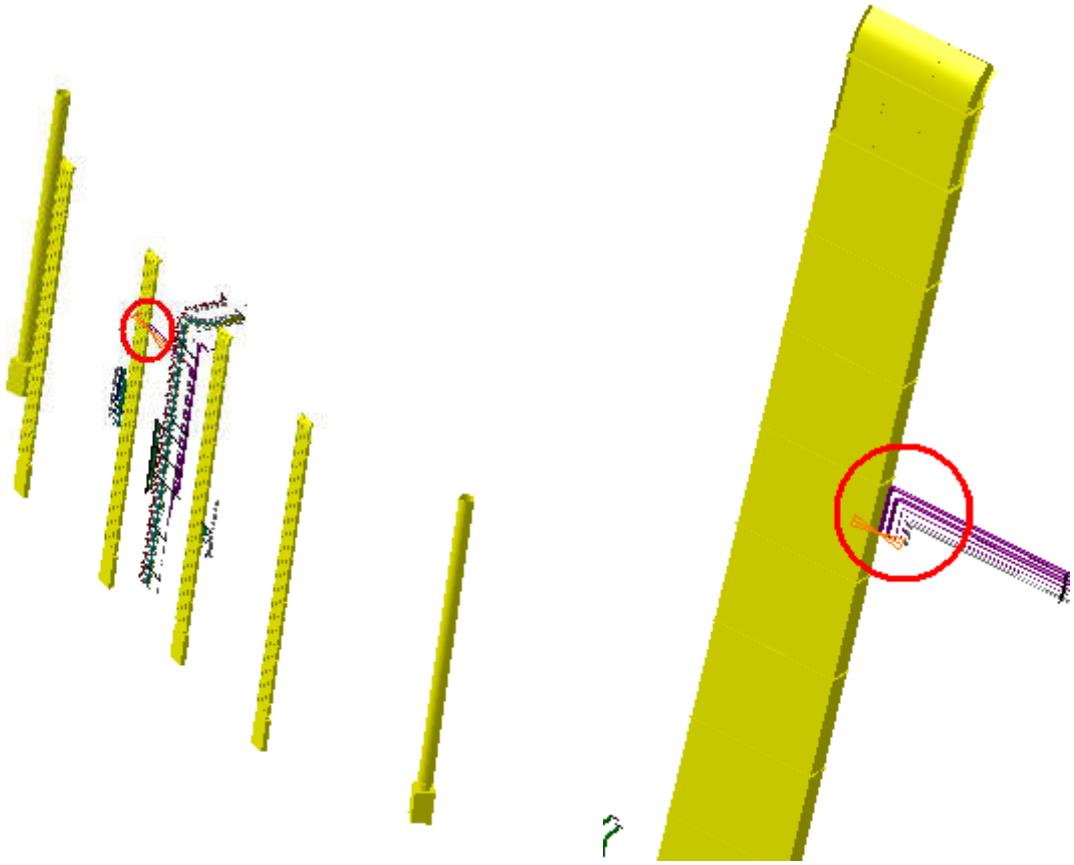
Clearance=50mm



Clearance Computation Specification			
Products Selected			
ATCNSG_0010 UX 15 - CAVERN US SIDE - GAS PIPES DITRIBUTION	ATCNFV_0007 ATLAS - UX15 CAVERN - 3126 - SUPPLY LOW AIR DUCTS SIDE US15	15	Not inspected
	ATCNFH_0012 HS METALLIC STRUCTURE - SIDE US15 - UPPER PART	49.9	Not inspected
	ATCNFO_0006 UX15 CAVERN - SURVEY - SURVEY BRACKETS ON WALL US15	12.11	Not inspected

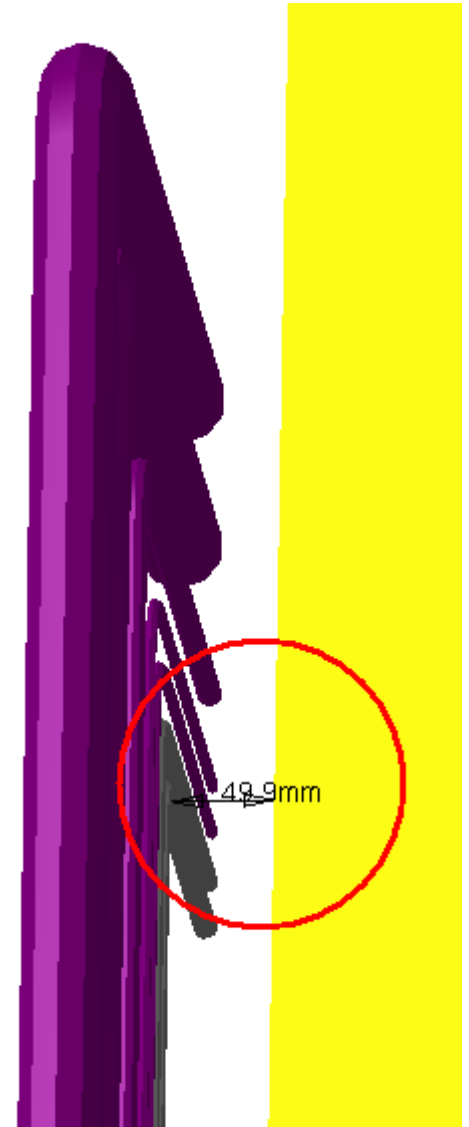
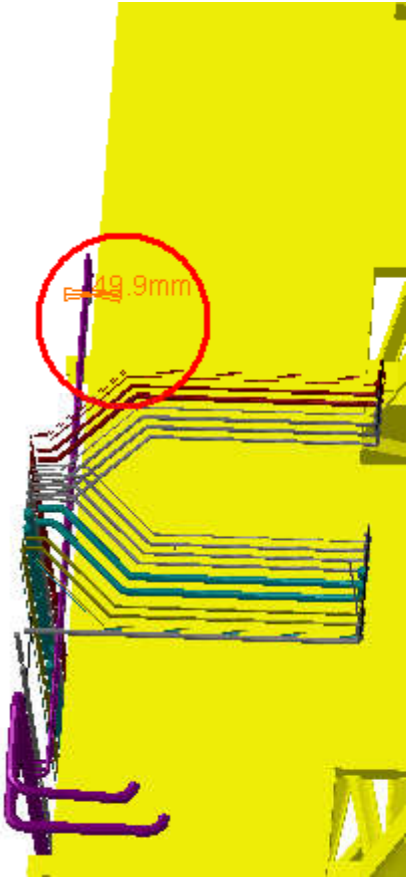
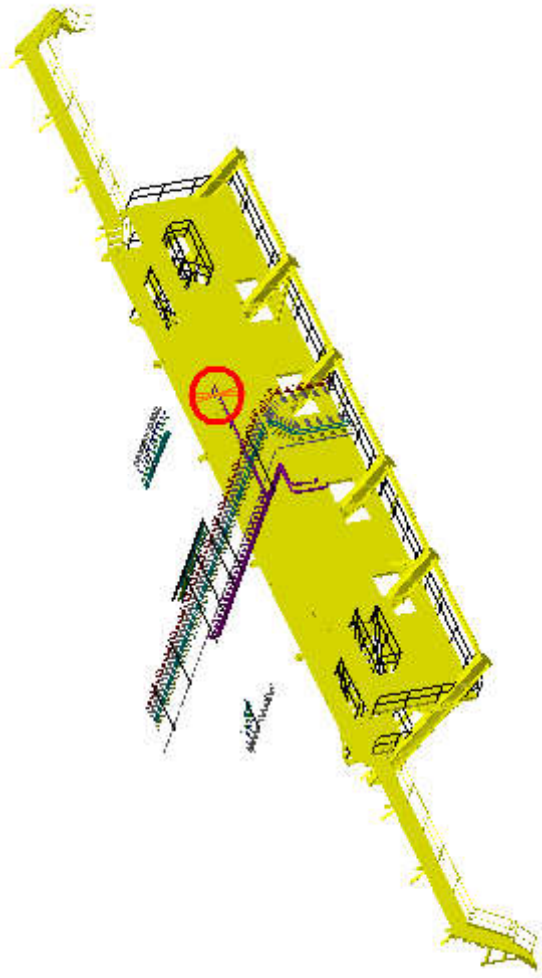
Computation Result:

ATCNSG_0010 UX 15 - CAVERN US SIDE - GAS PIPES DITRIBUTION	ATCNFV_0007 ATLAS - UX15 CAVERN - 3126 - SUPPLY LOW AIR DUCTS SIDE US15	Vector coordinate $\Delta X \approx 0\text{mm}$ $\Delta Y \approx 0\text{mm}$ $\Delta Z \approx -15\text{mm}$	15mm	Not inspected
---	---	--	------	---------------



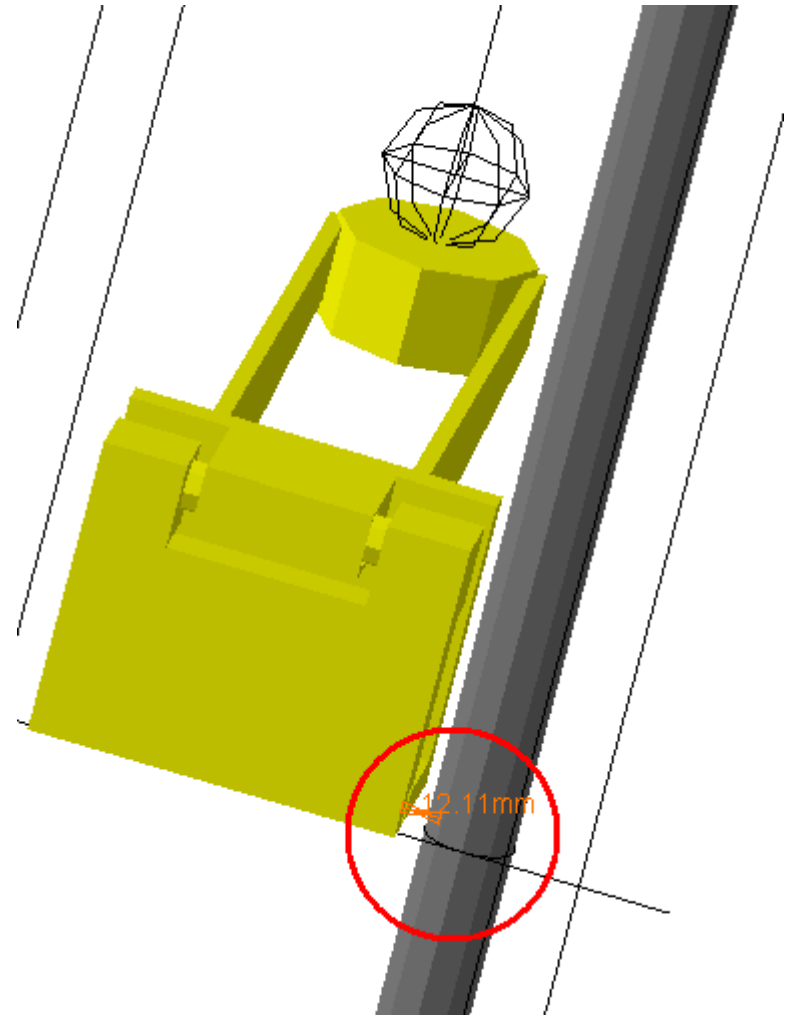
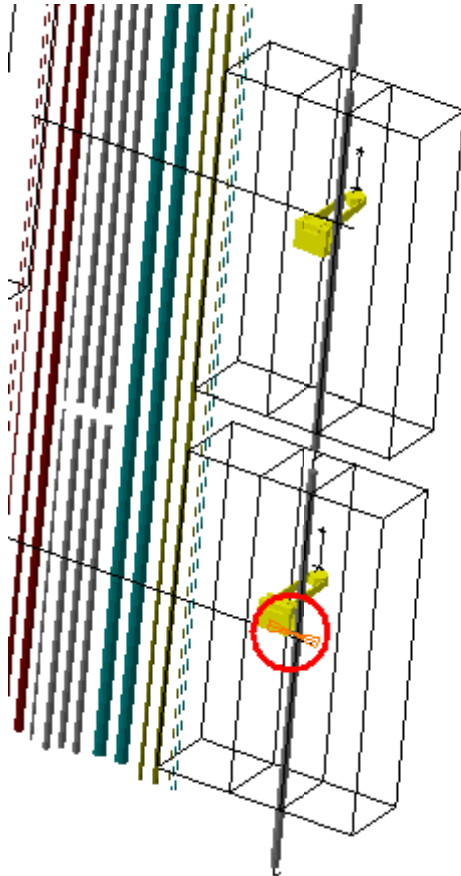
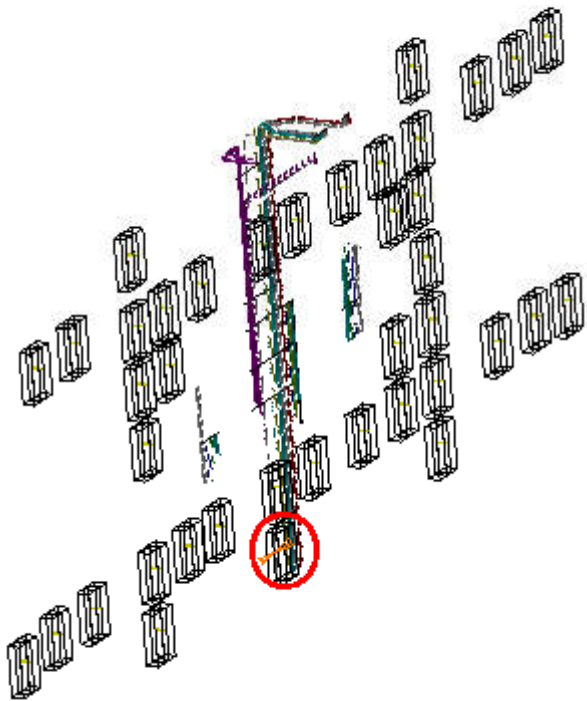
Side A
 Sector 3

ATCNSG_0010 UX 15 - CAVERN US SIDE - GAS PIPES DITRIBUTION	ATCNFH_0012 HS METALLIC STRUCTURE - SIDE US15 - UPPER PART	Vector coordinate $\Delta X \approx -49.9\text{mm}$ $\Delta Y \approx 0\text{mm}$ $\Delta Z \approx 0\text{mm}$	49.9mm	Not inspected
---	--	--	--------	---------------



Side A
Sector 3

ATCNSG_0010 UX 15 - CAVERN US SIDE - GAS PIPES DITRIBUTION	ATCNFO_0006 UX15 CAVERN - SURVEY - SURVEY BRACKETS ON WALL US15	Vector coordinate $\Delta X \approx 0\text{mm}$ $\Delta Y \approx 0\text{mm}$ $\Delta Z \approx -12.11\text{mm}$	-12.11mm	Not inspected
---	---	---	----------	---------------



Side C
Sector 15