

Clearance Publish

Clearance=50mm



Clearance Computation Specification			
Products Selected			
ATCNSM_0009 TB - VACUUM PIPE SYSTEM SIDE A	ATCVHB_0005 EXTREMITY PAIR OF FEET A4 (C4) - DETAILED MODEL FOR STANDARDS	29.88	Not inspected
	ATCNH_0010 TB VALVE BOX - SUPPORT STRUCTURE	0.72	Not inspected
	ATCNSM_0005 TB VACUUM PUMPING SYSTEM - SECTOR 12 (14) SIDE A	44.34	Not inspected
	ATCNTB_0001 BT2 TB STANDARD COIL - SECTORS 2	7.02	Not inspected
	ATCNTB_0001 BT4 TB STANDARD COIL - SECTORS 4	7.01	Not inspected
	ATCNTB_0001 BT6 TB STANDARD COIL - SECTORS 6	7.01	Not inspected
	ATCNTB_0001 BT8 TB STANDARD COIL - SECTORS 8	7.02	Not inspected
	ATCNTB_0001 BT10 TB STANDARD COIL - SECTORS 10	6.98	Not inspected
	ATCNTB_0001 BT16 TB STANDARD COIL - SECTORS 16	6.98	Not inspected

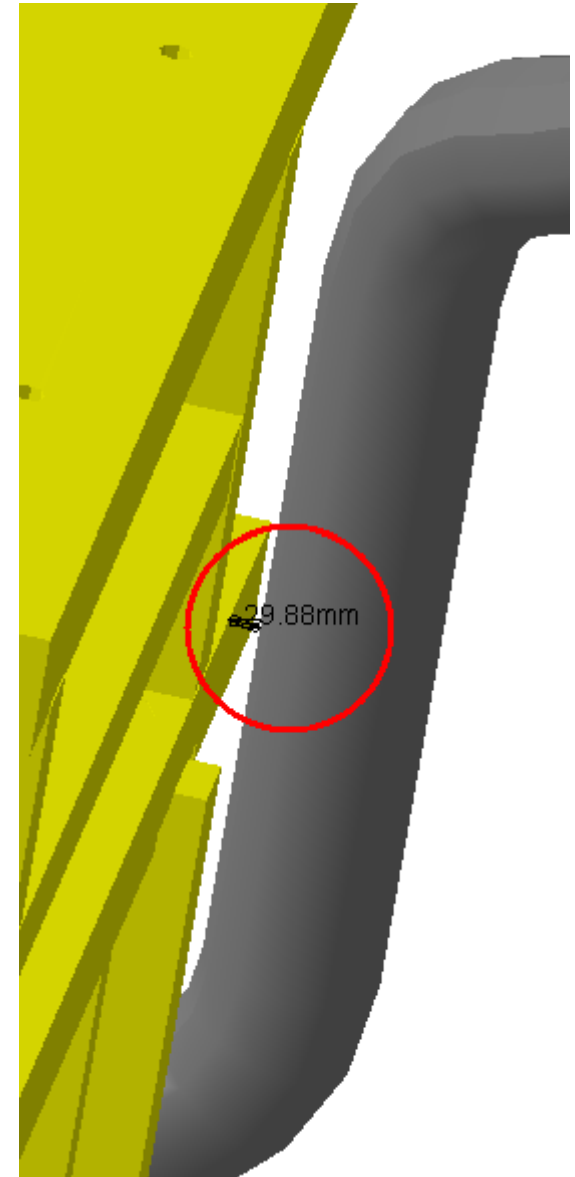
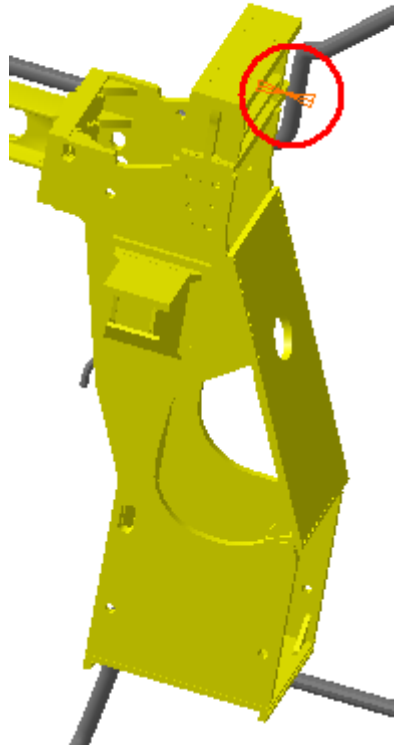
Clearance Computation Specification

Products Selected

ATCNSM_0009 TB - VACUUM PIPE SYSTEM SIDE A	ATCNSM_0006 TB VACUUM PUMPING SYSTEM - SECTOR 10 (16) SIDE A	0	Not inspected
	ATCNSM_0007 TB VACUUM PUMPING SYSTEM - SECTOR 8 (2) SIDE A	0	Not inspected
	ATCNSM_0008 TB VACUUM PUMPING SYSTEM - SECTOR 6 (4) SIDE A	0	Not inspected
	ATCNSM_0011 TB VACUUM PIPE SYSTEM - SIDE C	0	Not inspected

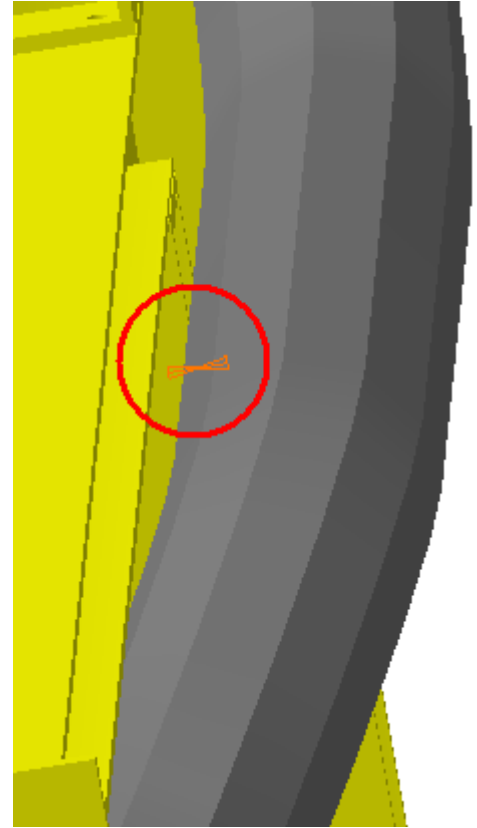
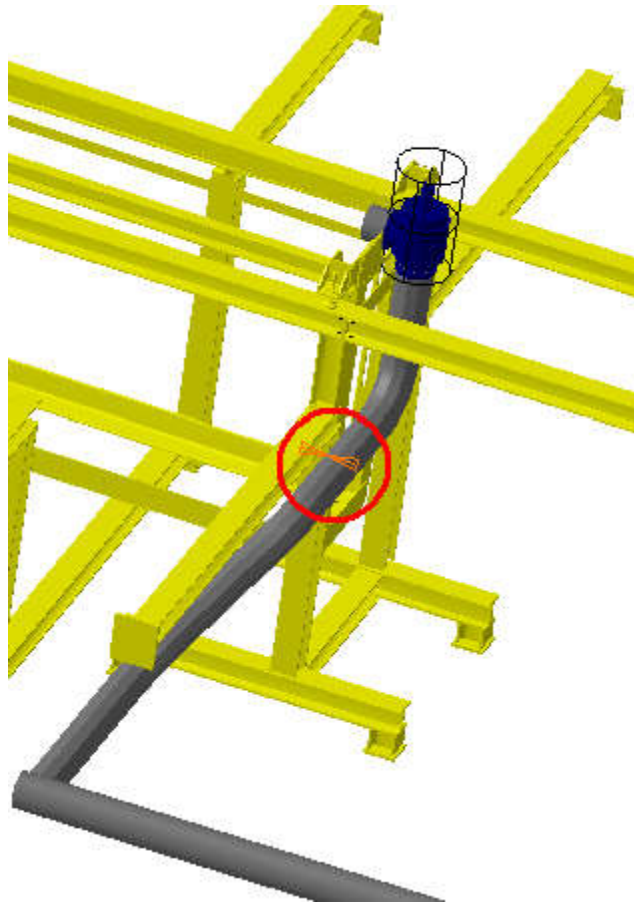
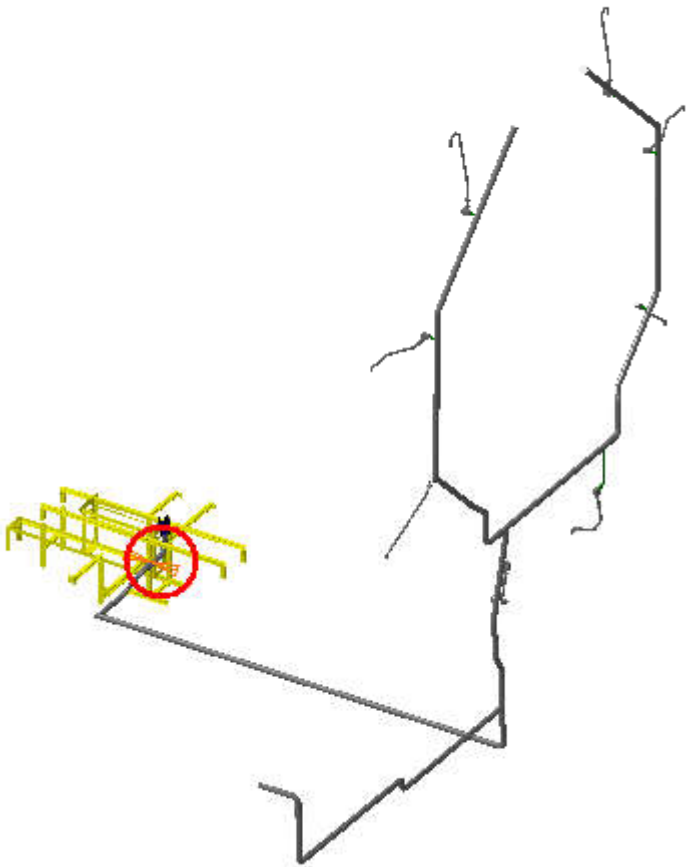
Computation Result:

ATCNSM_0009 TB - VACUUM PIPE SYSTEM SIDE A	ATCVHB_0005 EXTREMITY PAIR OF FEET A4 (C4) - DETAILED MODEL FOR STANDARDS	Vector coordinate $\Delta X \approx 29.88\text{mm}$ $\Delta Y \approx 0\text{mm}$ $\Delta Z \approx 0\text{mm}$	29.88mm	Not inspected
--	---	--	---------	---------------



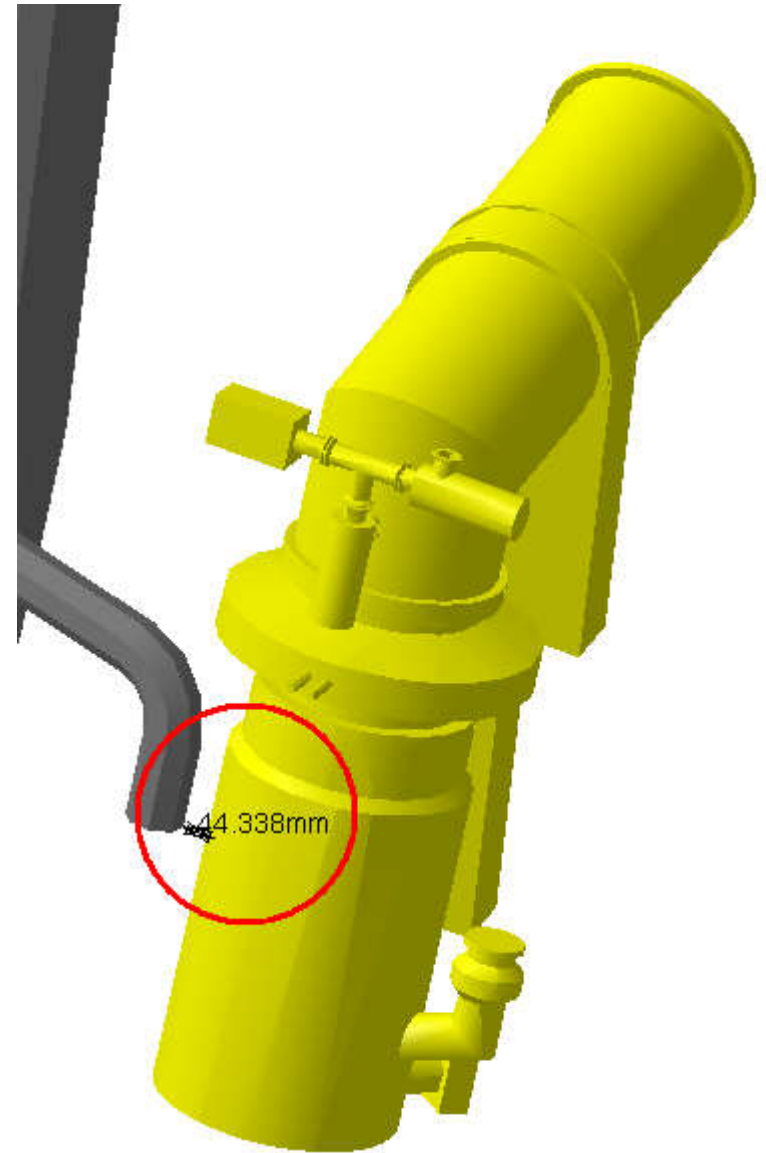
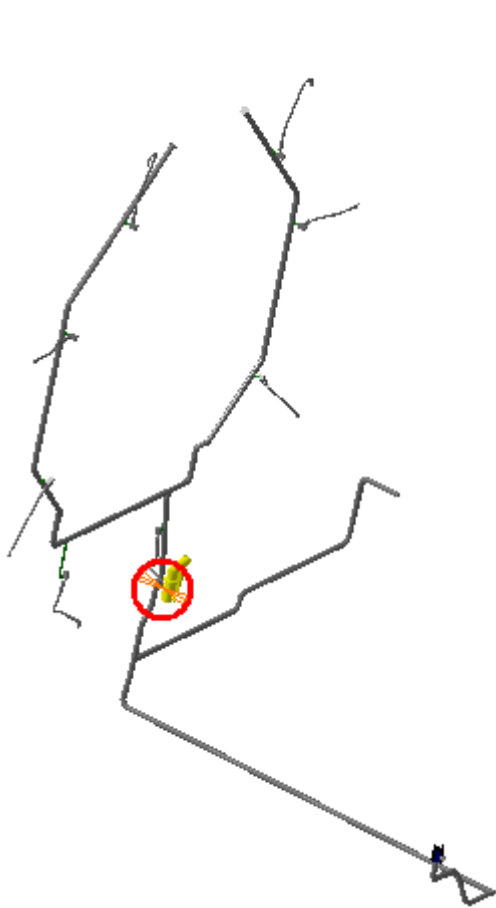
Side A
Sector 11

ATCNSM_0009 TB - VACUUM PIPE SYSTEM SIDE A	ATCNH_0010 TB VALVE BOX - SUPPORT STRUCTURE	Vector coordinate $\Delta X \approx 0\text{mm}$ $\Delta Y \approx 0\text{mm}$ $\Delta Z \approx 0.72\text{mm}$	0.72mm	Not inspected
--	---	---	--------	---------------



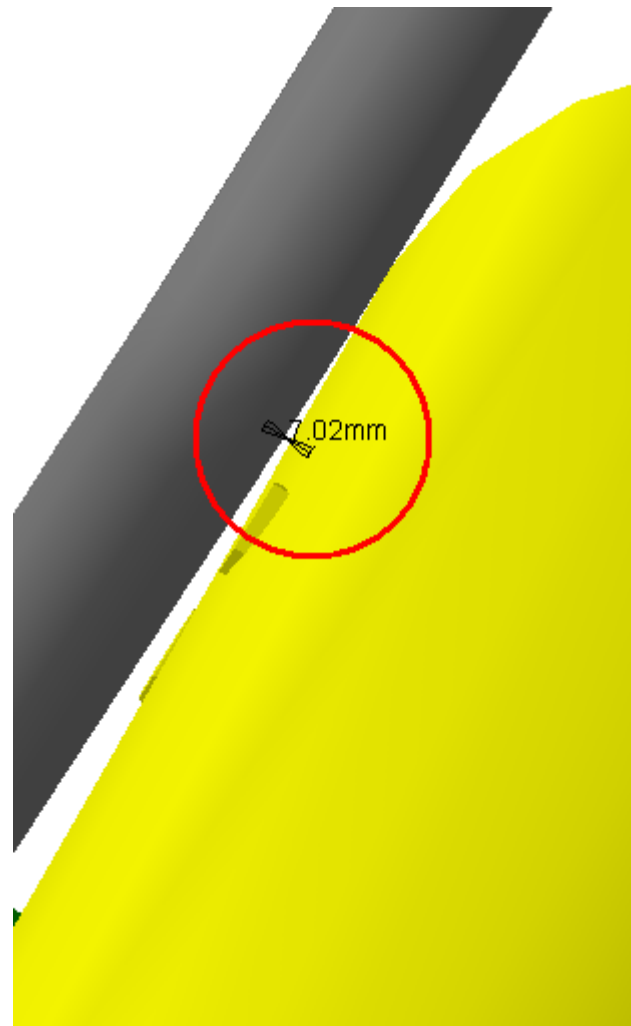
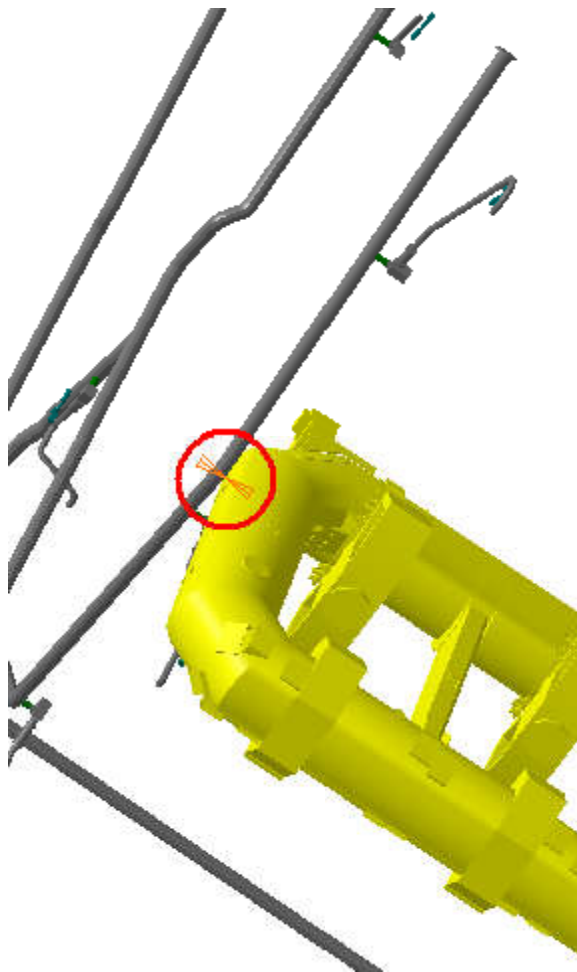
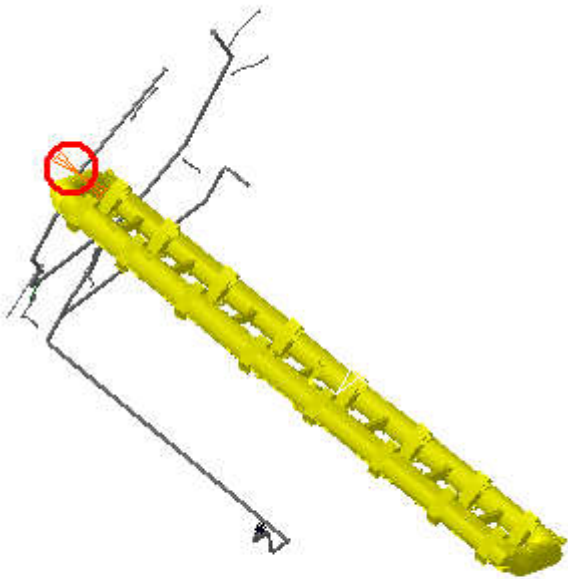
Side A
Sector 13

ATCNSM_0009 TB - VACUUM PIPE SYSTEM SIDE A	ATCNSM_0005 TB VACUUM PUMPING SYSTEM - SECTOR 12 (14) SIDE A	Vector coordinate $\Delta X \approx 3.11\text{mm}$ $\Delta Y \approx 0.55\text{mm}$ $\Delta Z \approx 44.23\text{mm}$	44.34mm	Not inspected
--	--	--	---------	---------------



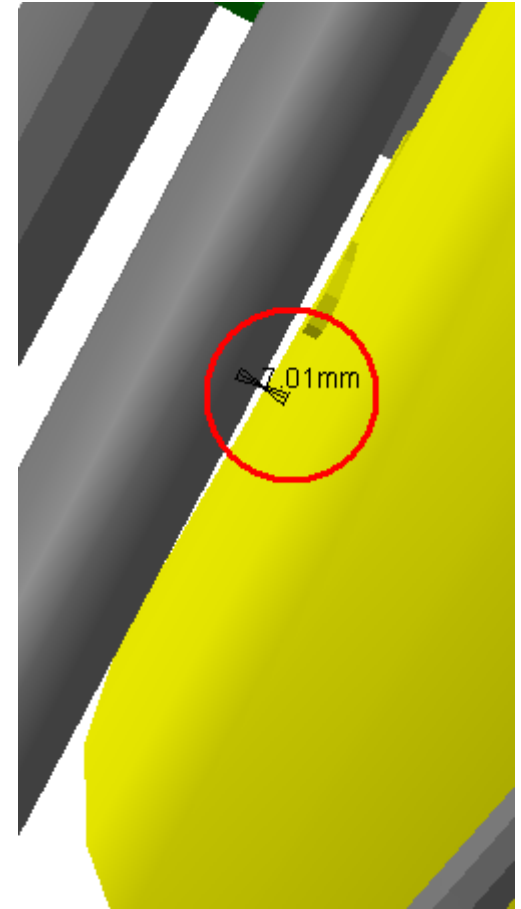
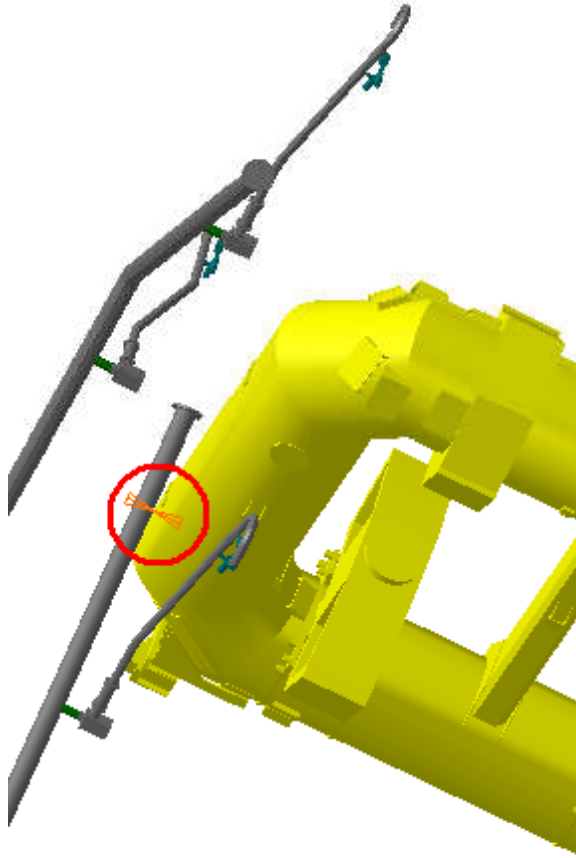
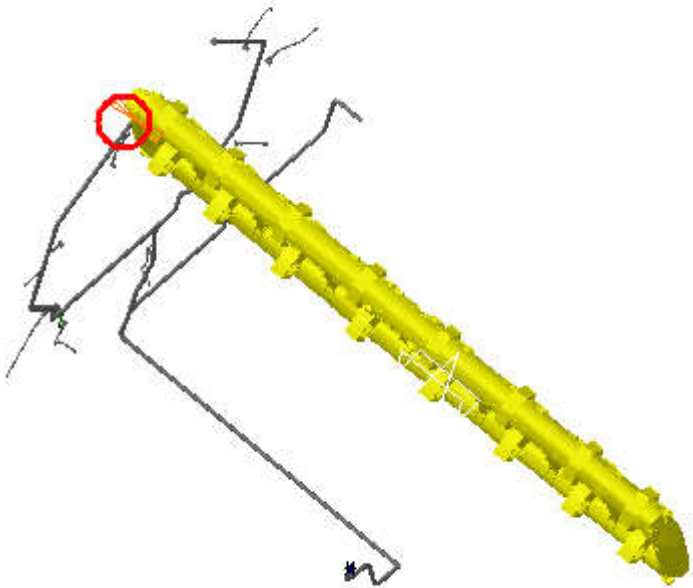
Side A
Sector 13

ATCNSM_0009 TB - VACUUM PIPE SYSTEM SIDE A	ATCNTB_0001 BT2 TB STANDARD COIL - SECTORS 2	Vector coordinate $\Delta X \approx 0\text{mm}$ $\Delta Y \approx 0.09\text{mm}$ $\Delta Z \approx 7.02\text{mm}$	7.02mm	Not inspected
---	---	--	--------	---------------



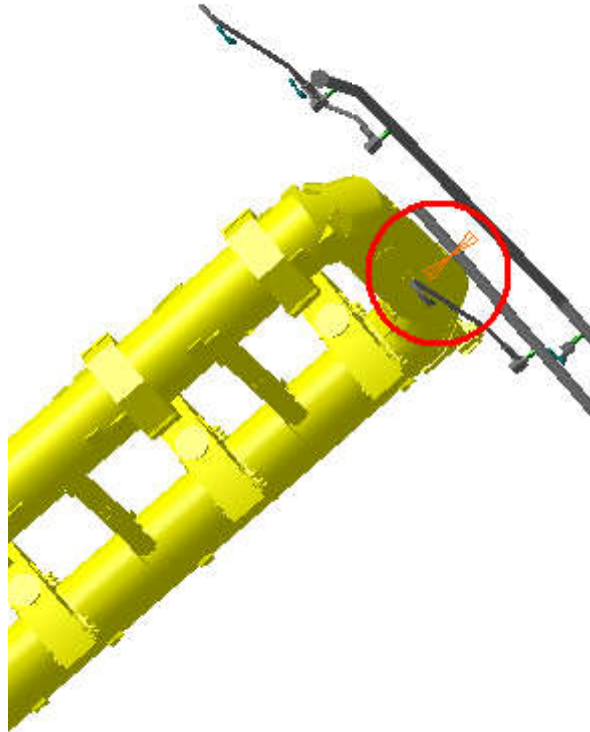
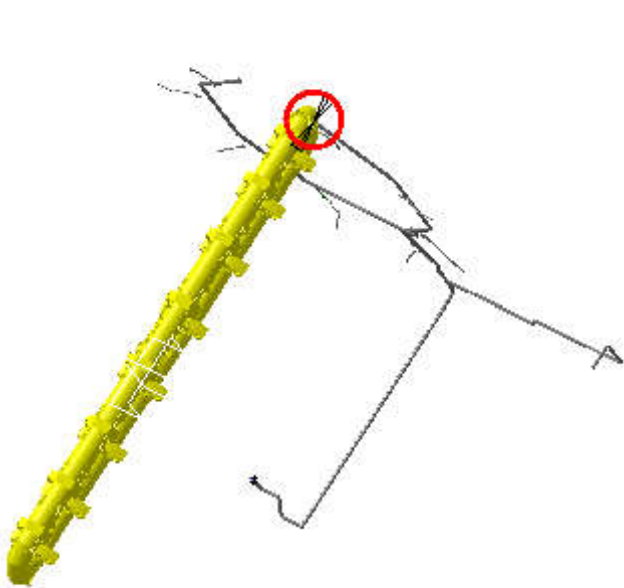
Side A
Sector 2

ATCNSM_0009 TB - VACUUM PIPE SYSTEM SIDE A	ATCNTB_0001 BT4 TB STANDARD COIL - SECTORS 4	Vector coordinate $\Delta X \approx 0\text{mm}$ $\Delta Y \approx 0.09\text{mm}$ $\Delta Z \approx 7.01\text{mm}$	7.01mm	Not inspected
---	---	--	--------	---------------



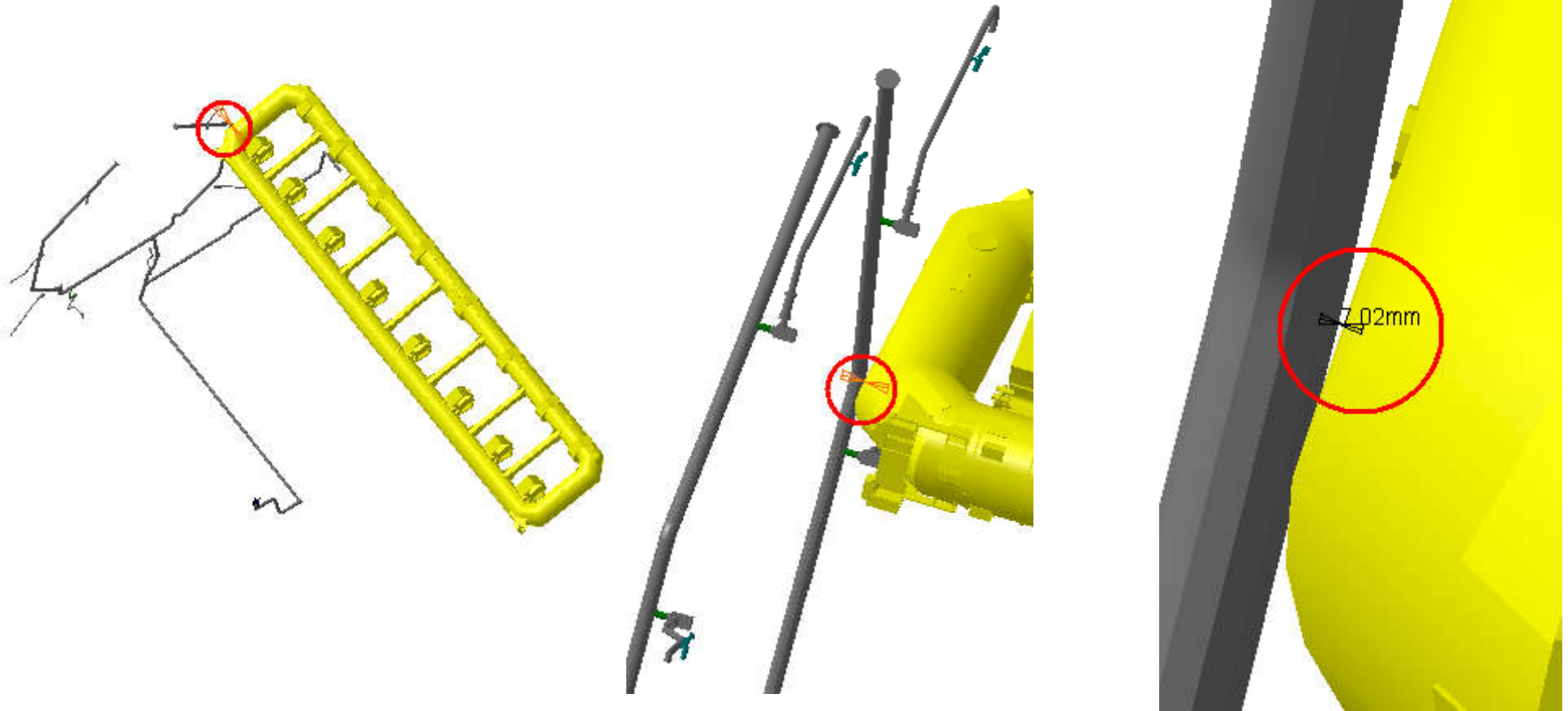
Side A
Sector 4

ATCNSM_0009 TB - VACUUM PIPE SYSTEM SIDE A	ATCNTB_0001 BT6 TB STANDARD COIL - SECTORS 6	Vector coordinate $\Delta X \approx 0\text{mm}$ $\Delta Y \approx 0.09\text{mm}$ $\Delta Z \approx 7.01\text{mm}$	7.01 mm	Not inspected
---	---	--	---------	---------------



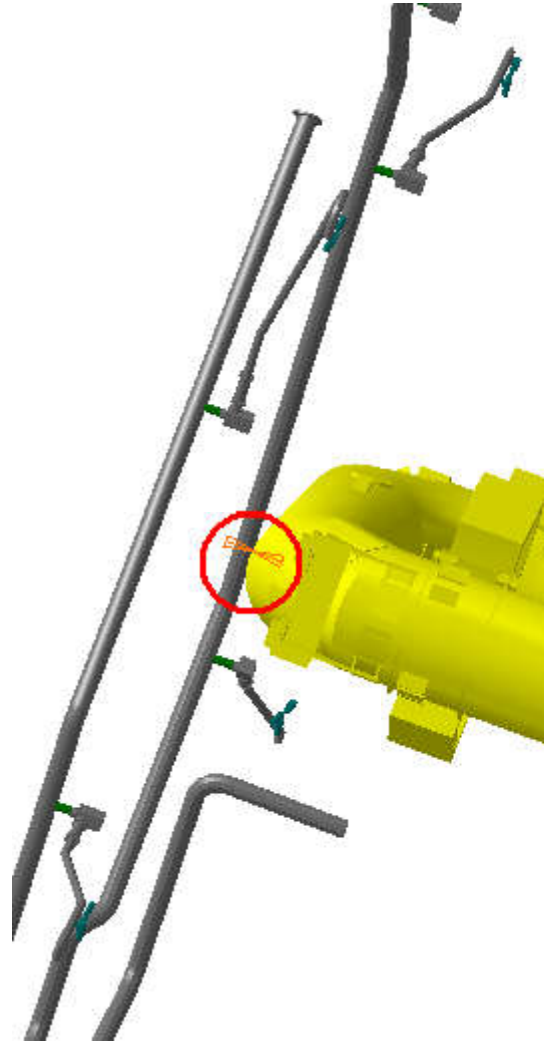
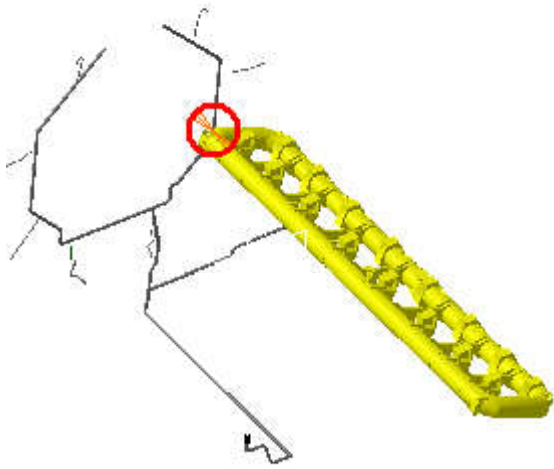
Side A
Sector 6

ATCNSM_0009 TB - VACUUM PIPE SYSTEM SIDE A	ATCNTB_0001 BT8 TB STANDARD COIL - SECTORS 8	Vector coordinate $\Delta X \approx 0\text{mm}$ $\Delta Y \approx 0.09\text{mm}$ $\Delta Z \approx 7.02\text{mm}$	7.02mm	Not inspected
---	---	--	--------	---------------



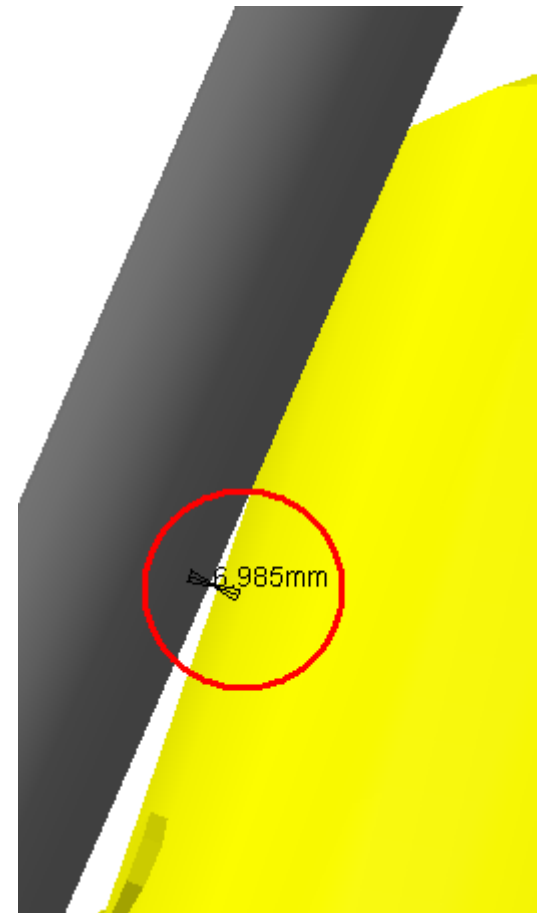
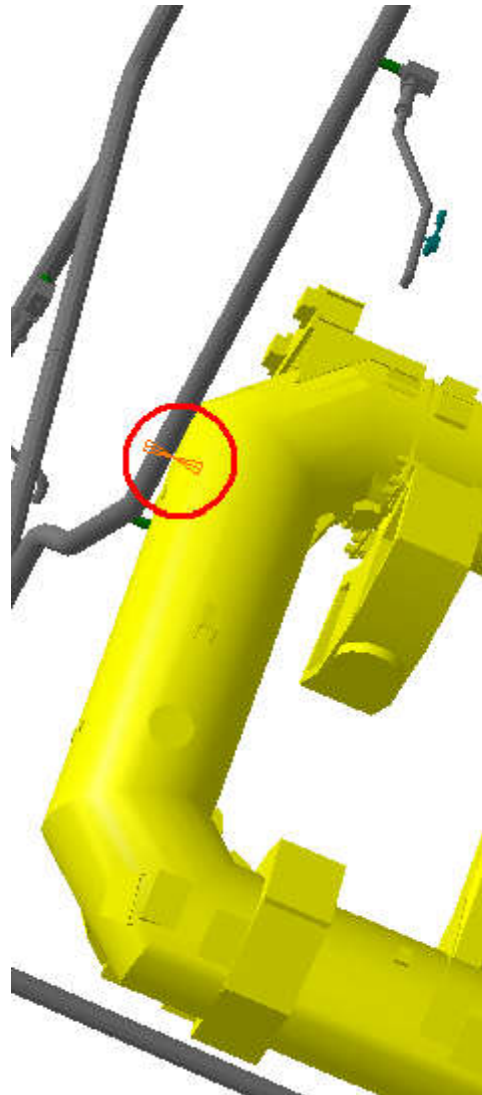
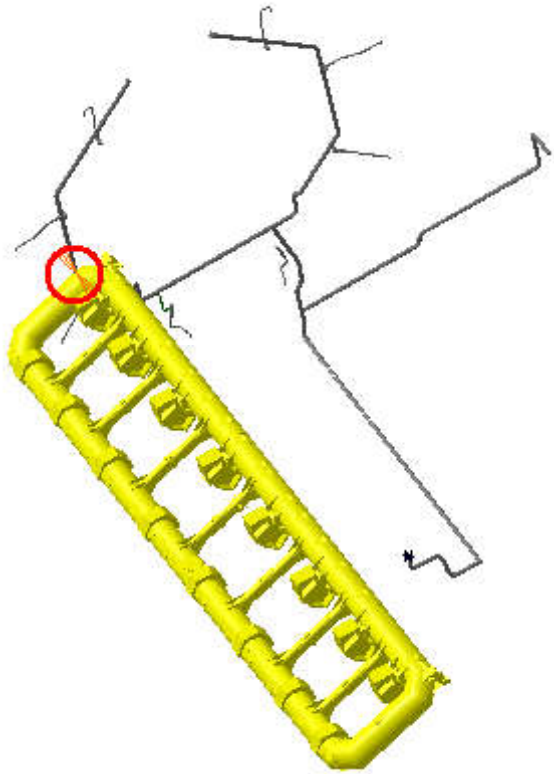
Side A
Sector 8

ATCNSM_0009 TB - VACUUM PIPE SYSTEM SIDE A	ATCNTB_0001 BT10 TB STANDARD COIL - SECTORS 10	Vector coordinate $\Delta X \approx 0\text{mm}$ $\Delta Y \approx 0.09\text{mm}$ $\Delta Z \approx 6.98\text{mm}$	6.98mm	Not inspected
--	--	--	--------	---------------



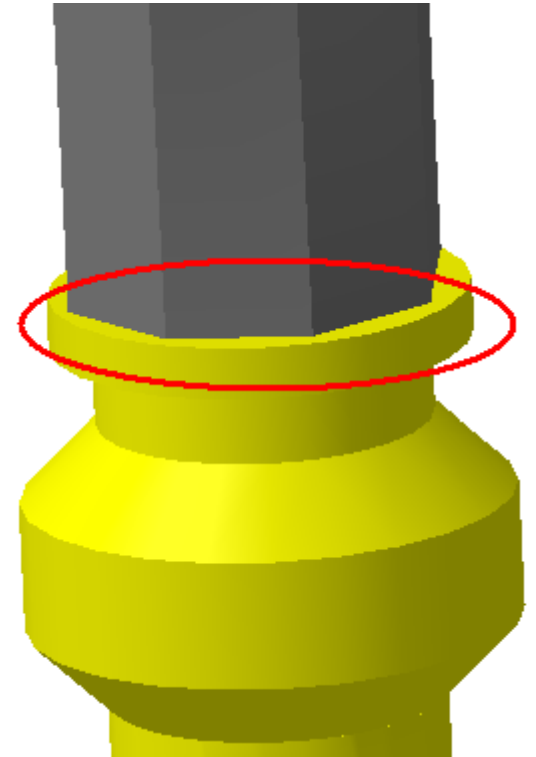
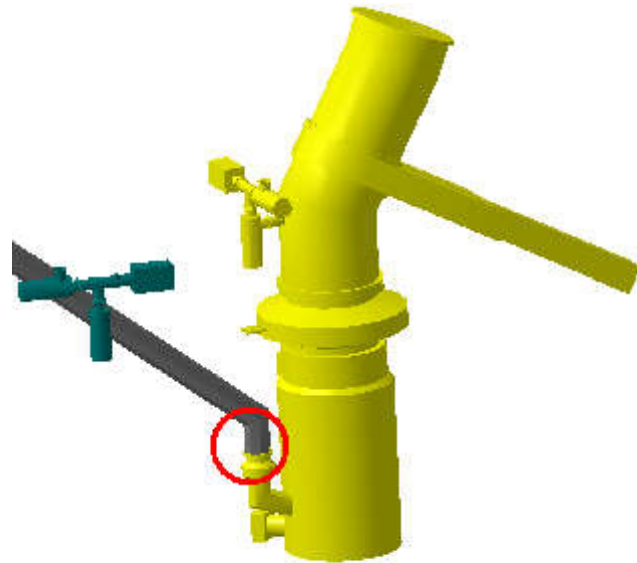
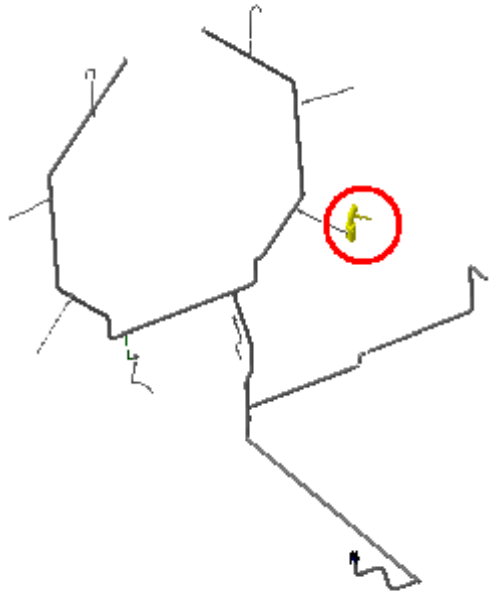
Side A
Sector 10

ATCNSM_0009 TB - VACUUM PIPE SYSTEM SIDE A	ATCNTB_0001 BT16 TB STANDARD COIL - SECTORS 16	Vector coordinate $\Delta X \approx 0\text{mm}$ $\Delta Y \approx 0.09\text{mm}$ $\Delta Z \approx 6.98\text{mm}$	6.98mm	Not inspected
---	---	--	--------	---------------



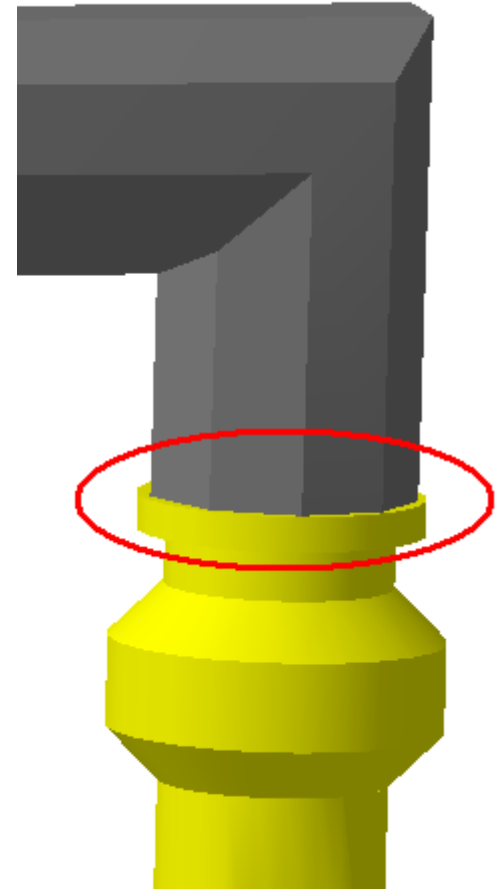
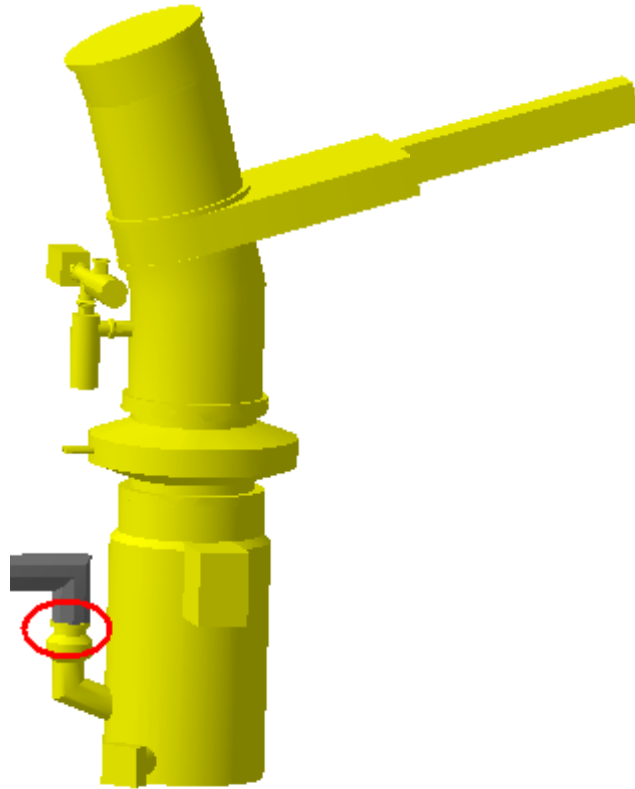
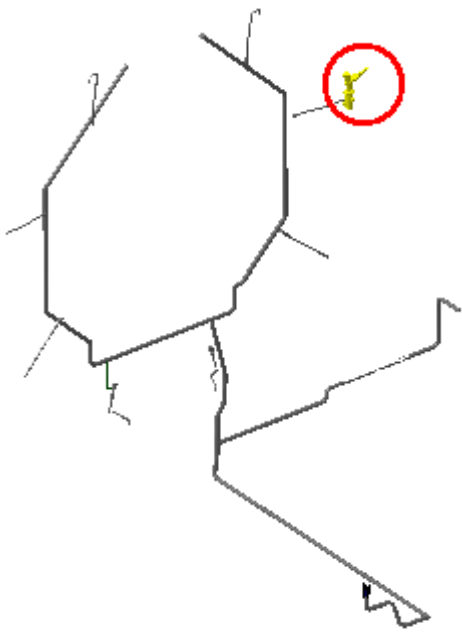
Side A
Sector 16

ATCNSM_0009 TB - VACUUM PIPE SYSTEM SIDE A	ATCNSM_0006 TB VACUUM PUMPING SYSTEM - SECTOR 10 (16) SIDE A	Contact	0mm	Not inspected
--	--	---------	-----	---------------



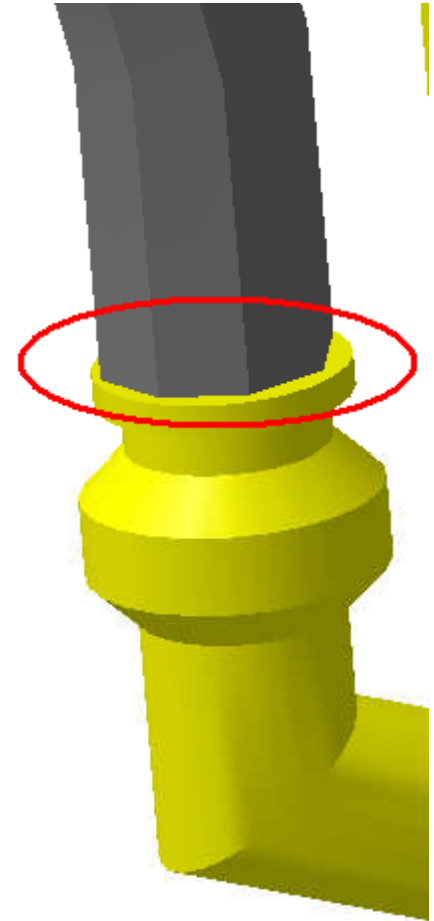
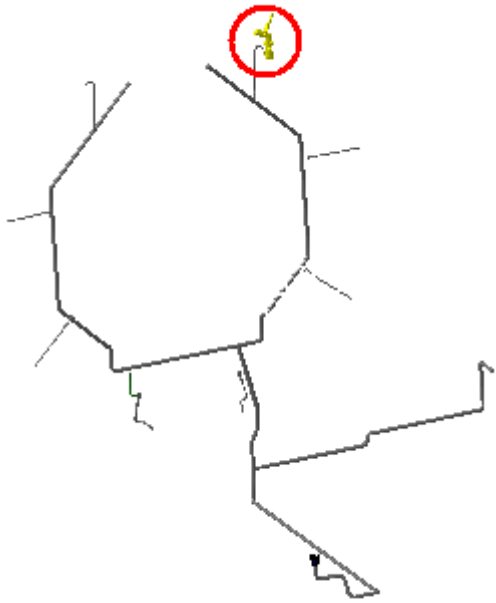
Side A
Sector 11

ATCNSM_0009 TB - VACUUM PIPE SYSTEM SIDE A	ATCNSM_0007 TB VACUUM PUMPING SYSTEM - SECTOR 8 (2) SIDE A	Contact	0mm	Not inspected
--	--	---------	-----	---------------



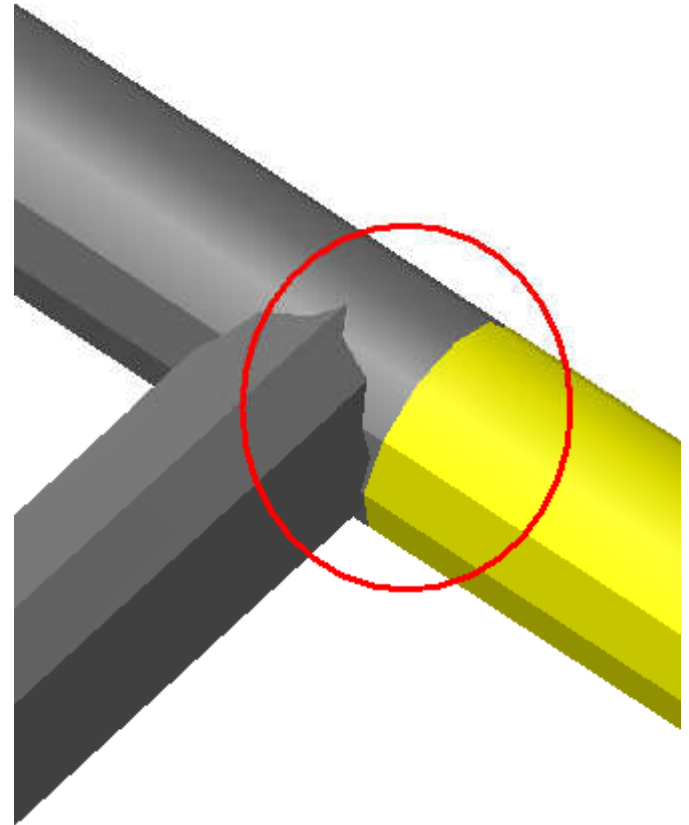
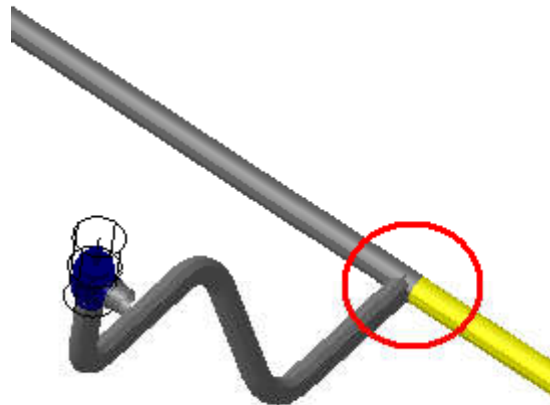
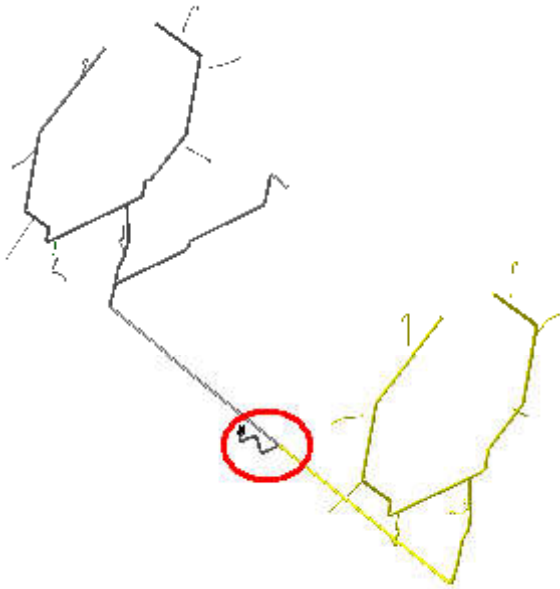
Side A
Sector 9

ATCNSM_0009 TB - VACUUM PIPE SYSTEM SIDE A	ATCNSM_0008 TB VACUUM PUMPING SYSTEM - SECTOR 6 (4) SIDE A	Contact	0mm	Not inspected
--	--	---------	-----	---------------



Side A
Sector 7

ATCNSM_0009 TB - VACUUM PIPE SYSTEM SIDE A	ATCNSM_0011 TB VACUUM PIPE SYSTEM - SIDE C	Contact	0mm	Not inspected
--	--	---------	-----	---------------



Side A
Sector 13