

Clash Publish



Clash Computation Specification			
Products Selected		Value	Status
NSR_0020 - CABLE TRAYS SUPPORT - UX - US SIDE - SECTOR 4	NFH_0011 - HS METALLIC STRUCTURE - SIDE US15 - LOWER PART	-15 mm	Not inspected
	NFH_0013 - HS METALLIC STRUCTURE - SIDE US15 - LEVEL +2,77M EXTENSION	-79.9 mm	Not inspected
	NSR_0002 - UX 15 RACKS - SIDE US 15	-17.4 mm	Not inspected
	NSR_0016 - SCT & PIXEL CABLE TRAYS - TYPE 4 - ON UX/US WALL	-14.9 mm	Not inspected
	NSO_0010 - UX 15 - CAVERN - ID CABLE COOLING STATION AND PIPES	-43 mm	Not inspected

Computation Result:

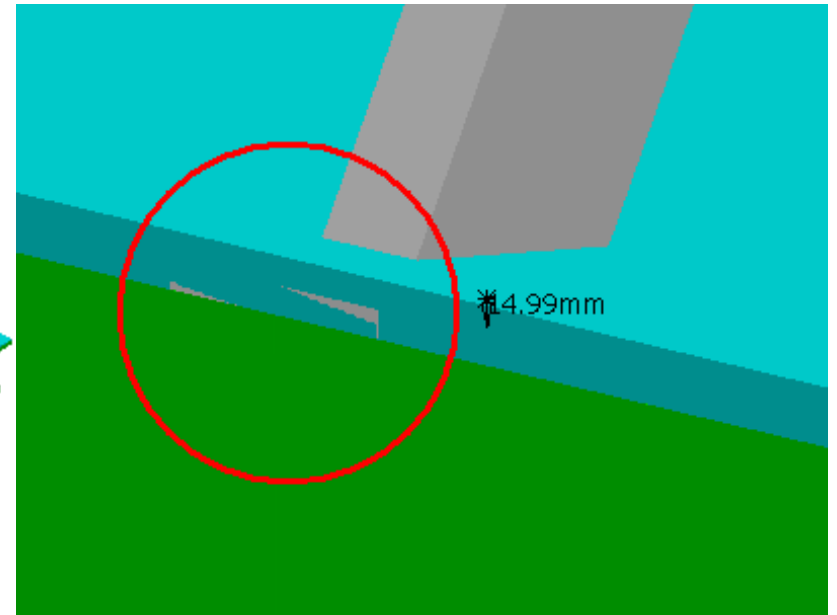
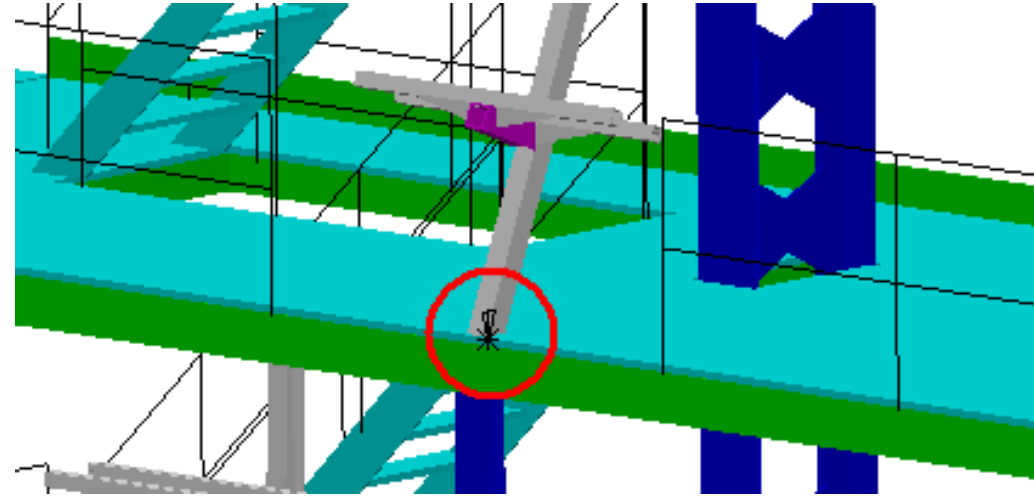
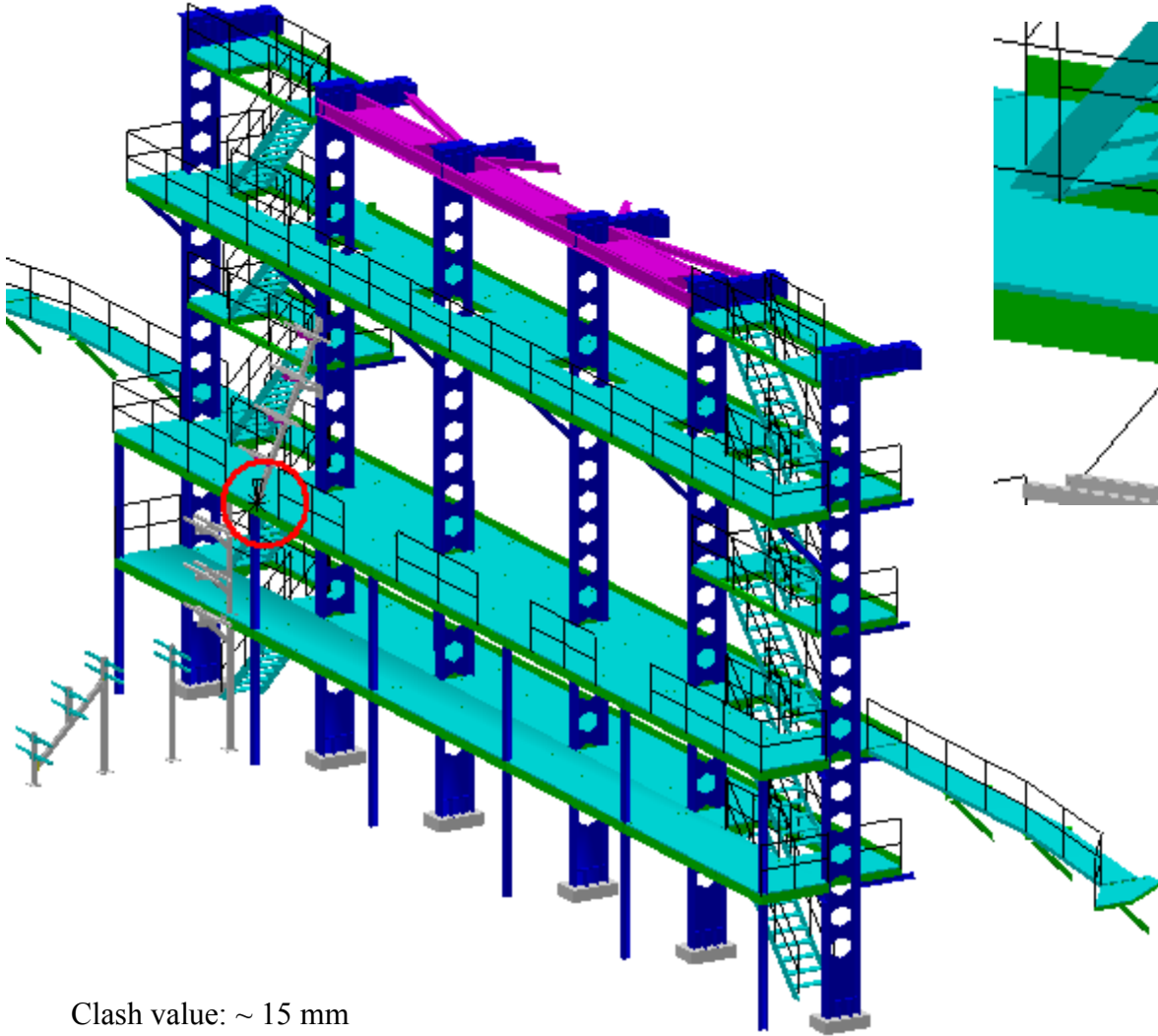
NSR_0020 - CABLE TRAYS SUPPORT - UX
- US SIDE - SECTOR 4

NFH_0011 - HS METALLIC STRUCTURE - SIDE
US15 - LOWER PART

Clash

-15 mm

Not inspected

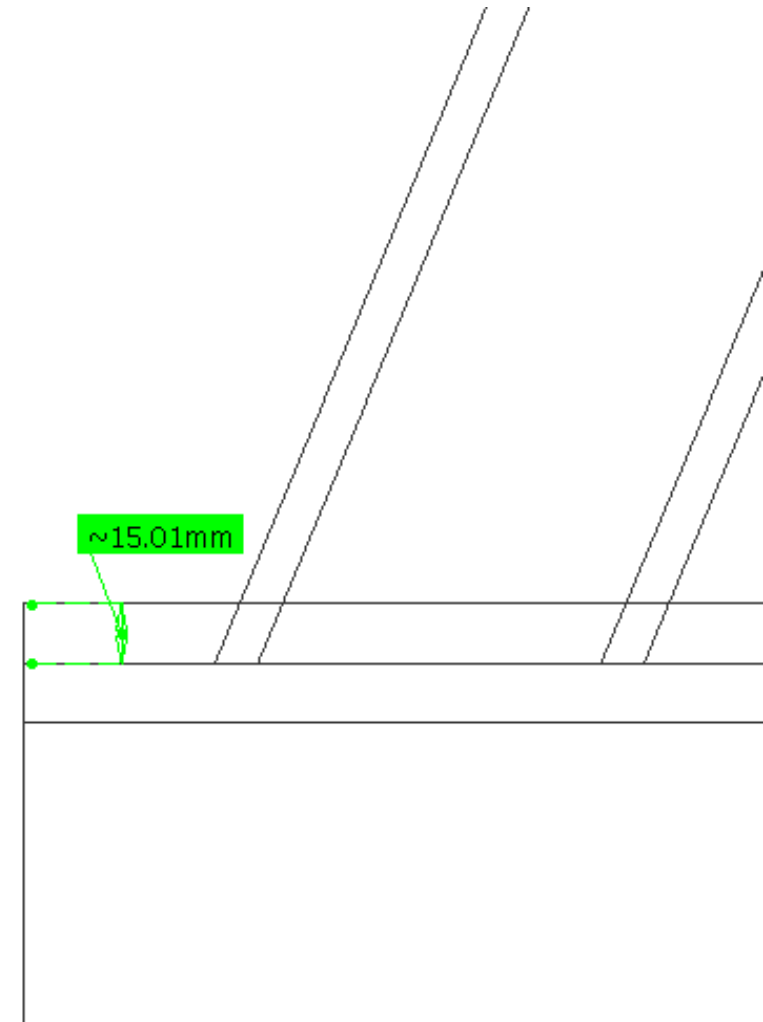
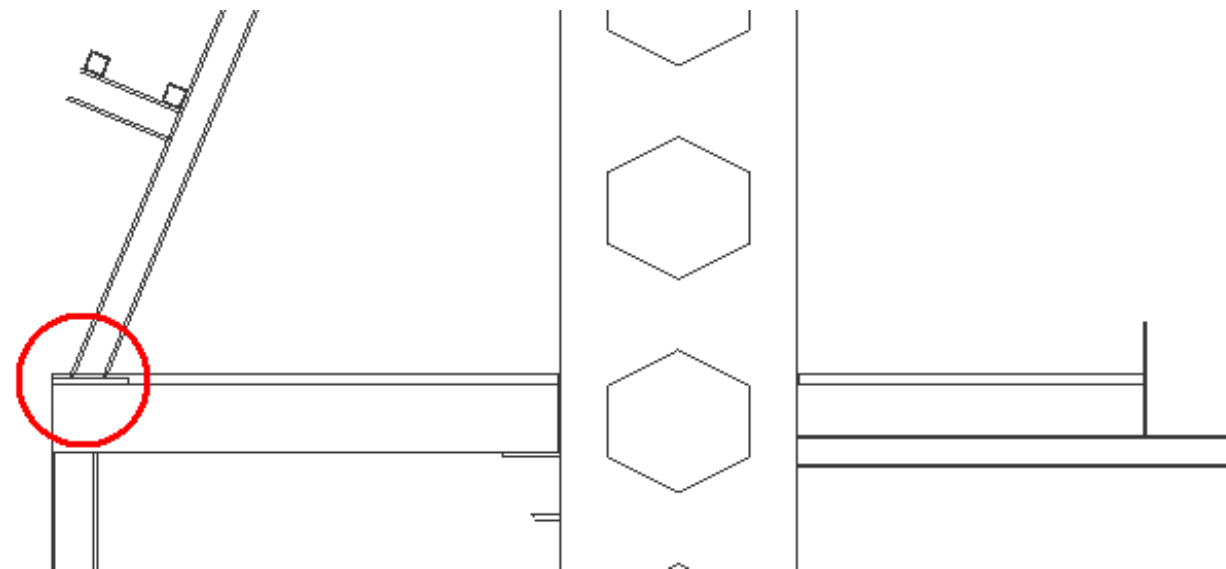
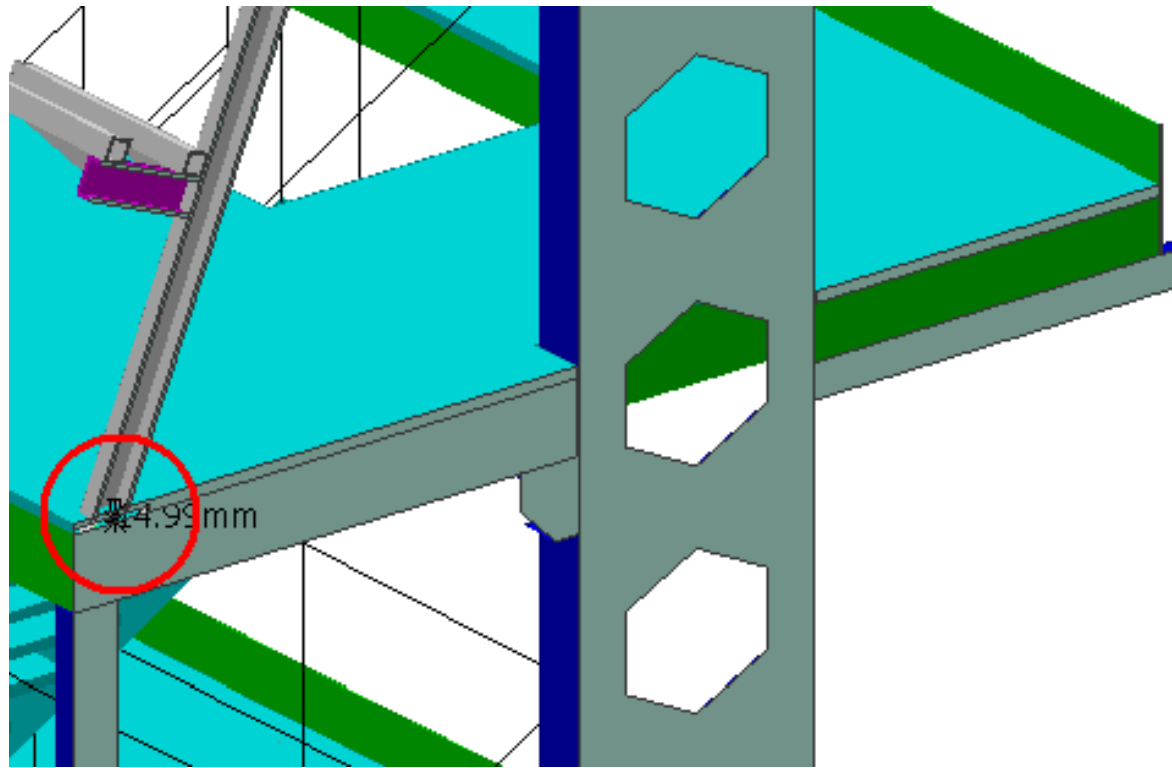


Clash value: ~ 15 mm

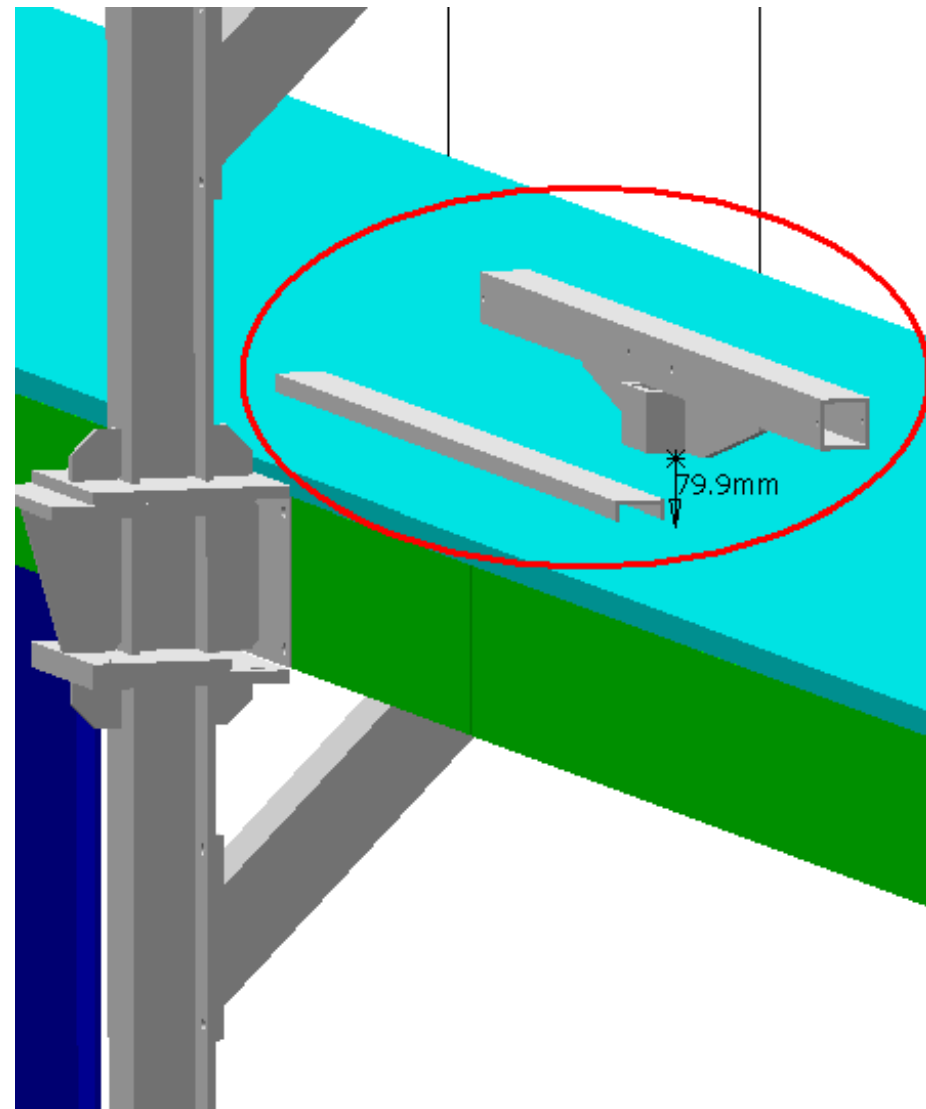
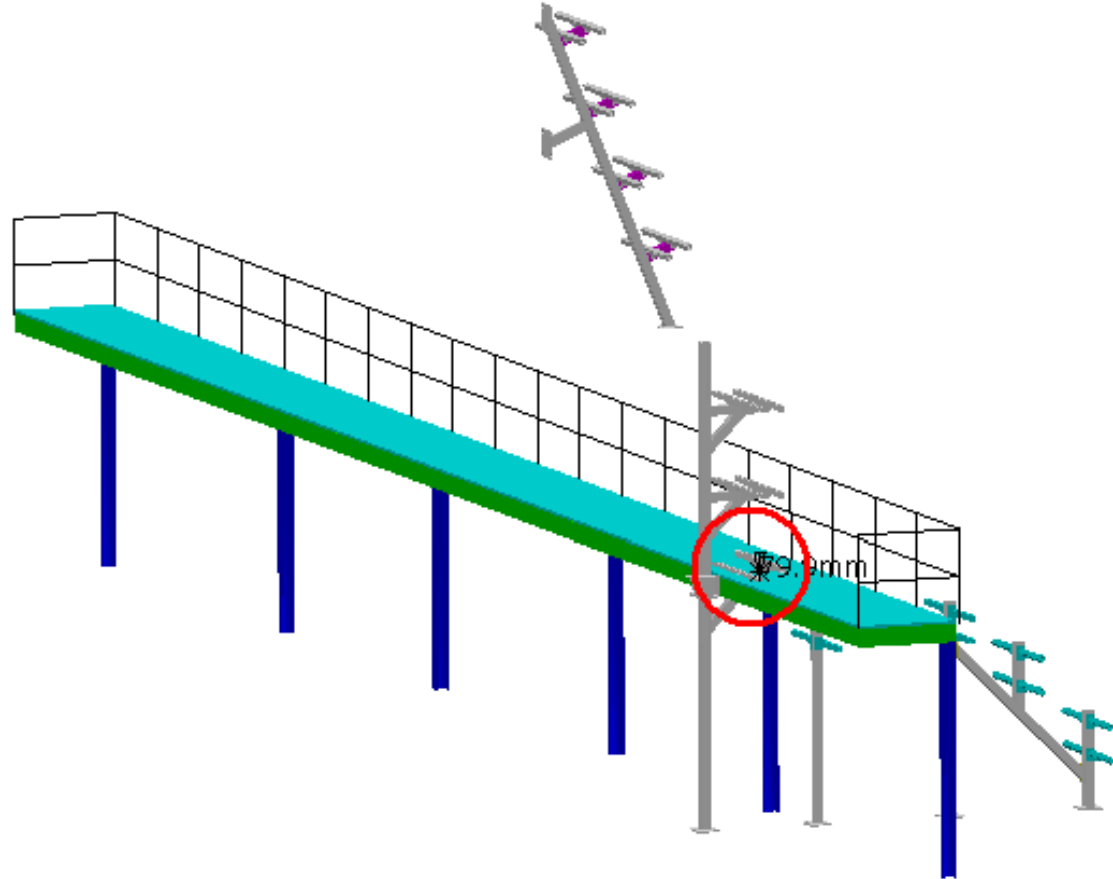
SIDE C

Sector 15

Clash View:

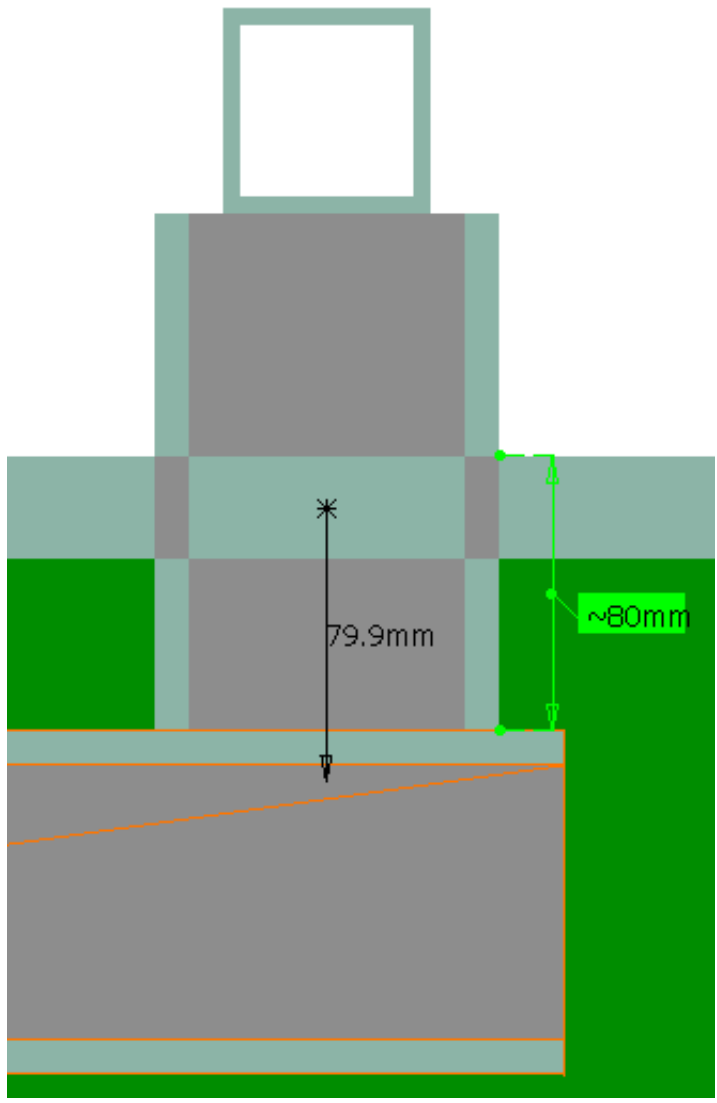
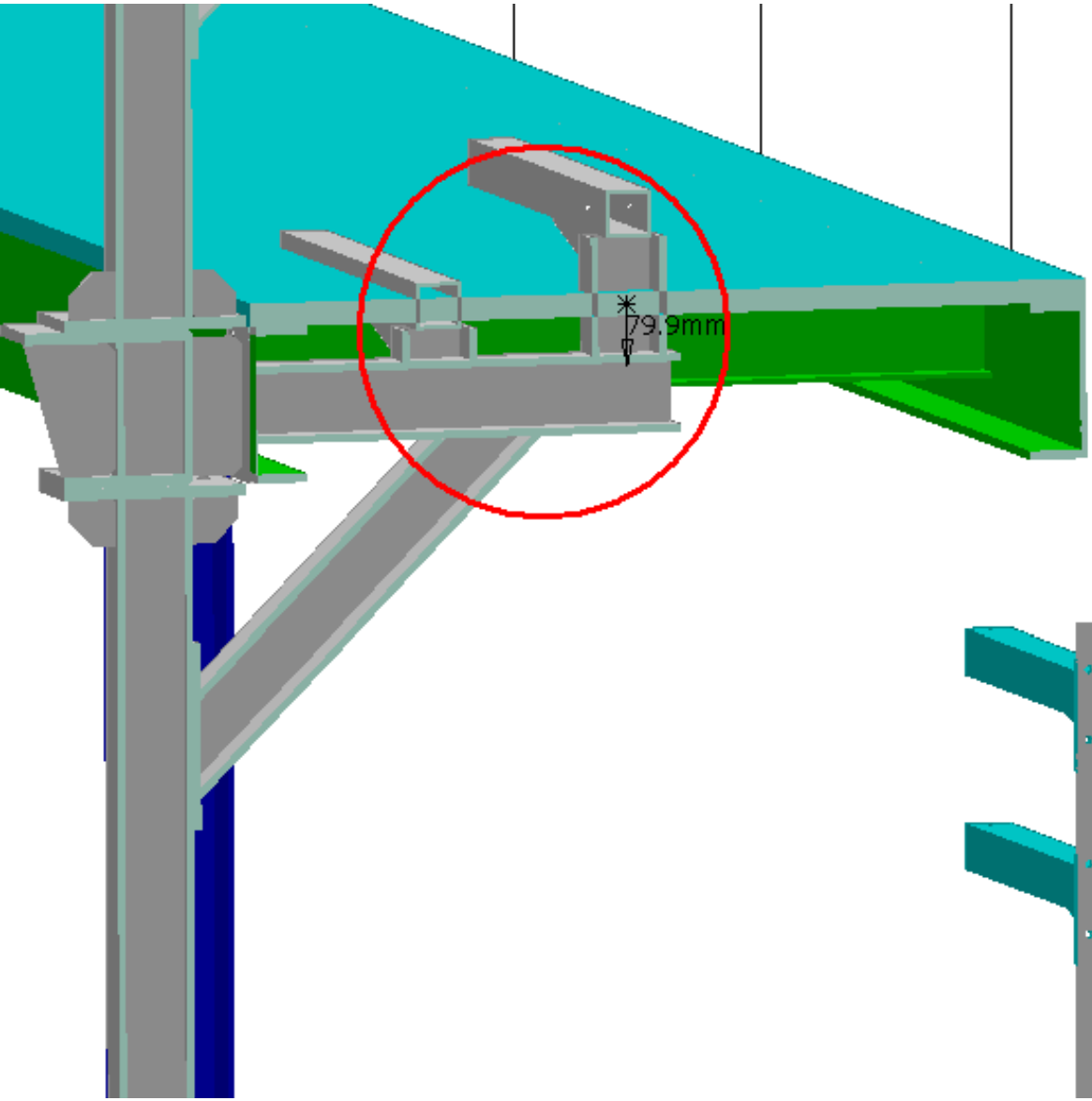


NSR_0020 - CABLE TRAYS SUPPORT - UX - US SIDE - SECTOR 4	NFH_0013 - HS METALLIC STRUCTURE - SIDE US15 - LEVEL +2,77M EXTENSION	Clash	-79.9 mm	Not inspected
---	--	-------	----------	---------------



Clash value: ~ 79.9 mm
SIDE C
Sector 15

Clash View:



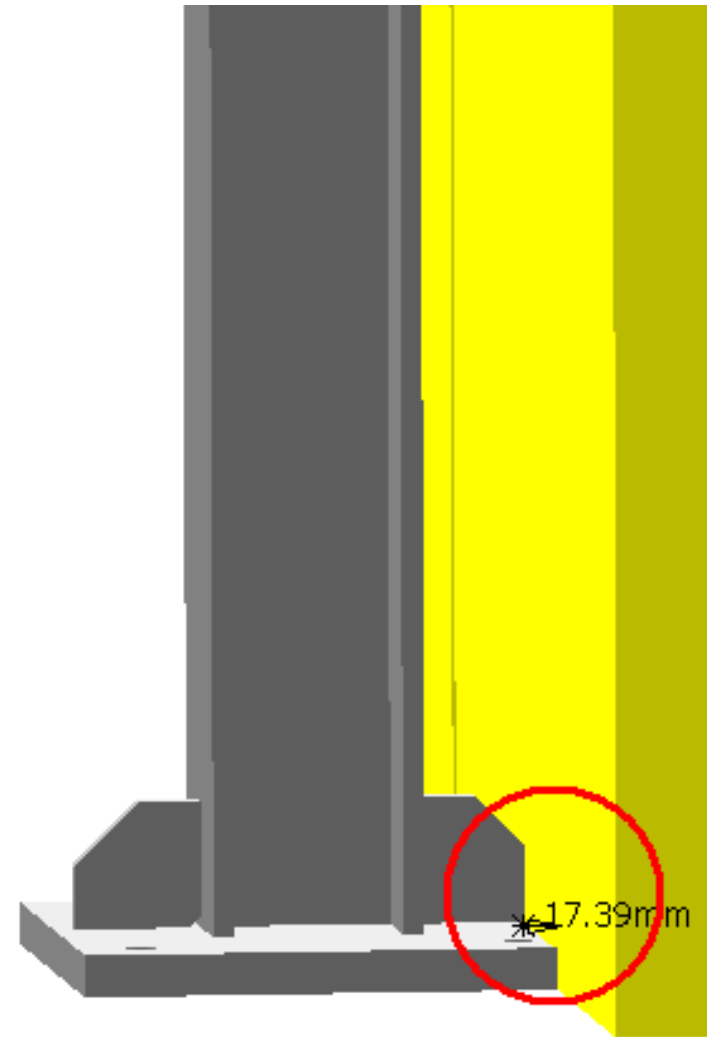
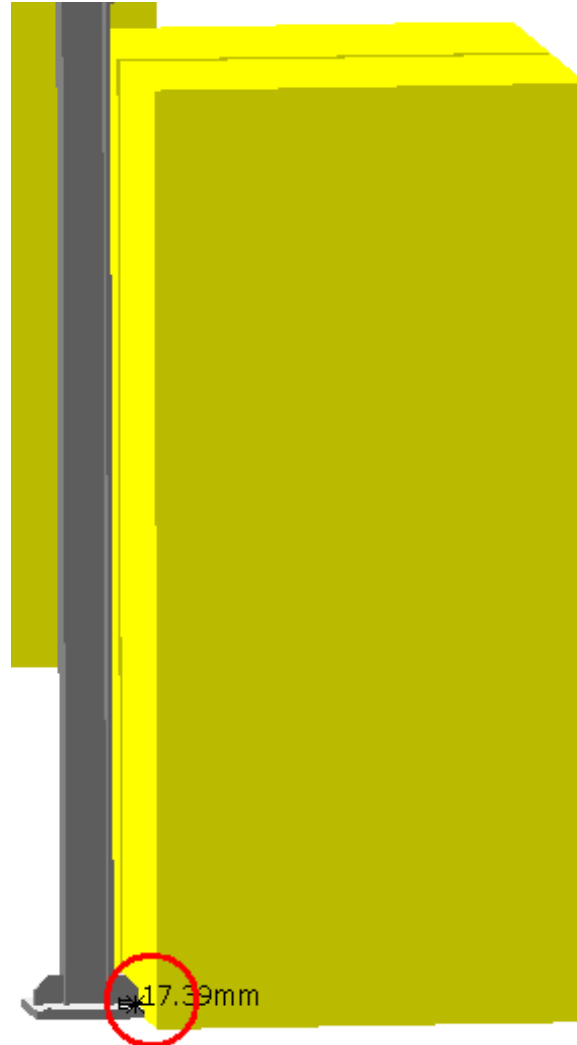
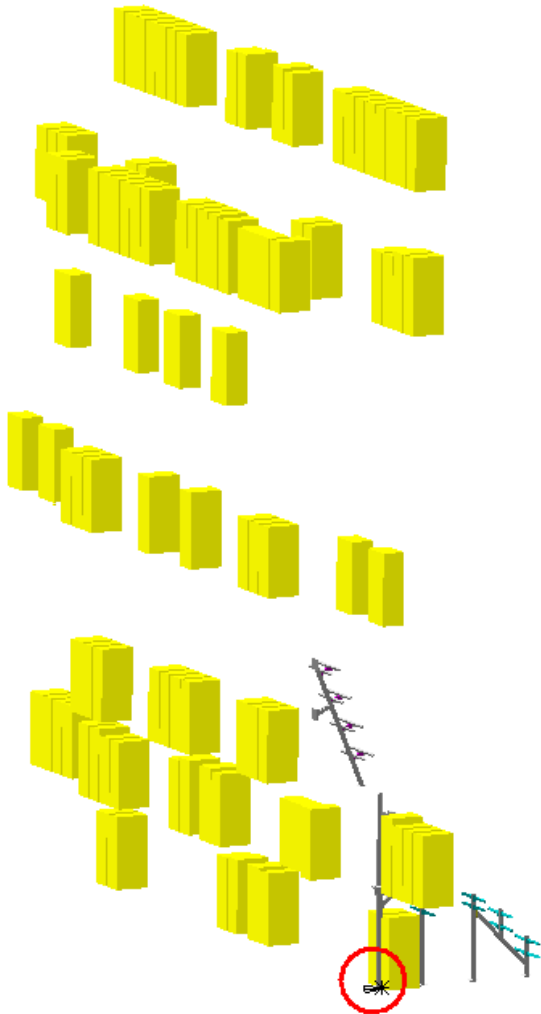
NSR_0020 - CABLE TRAYS SUPPORT -
UX - US SIDE - SECTOR 4

NSR_0002 - UX 15 RACKS - SIDE US 15

Clash

17.4 mm

Not inspected

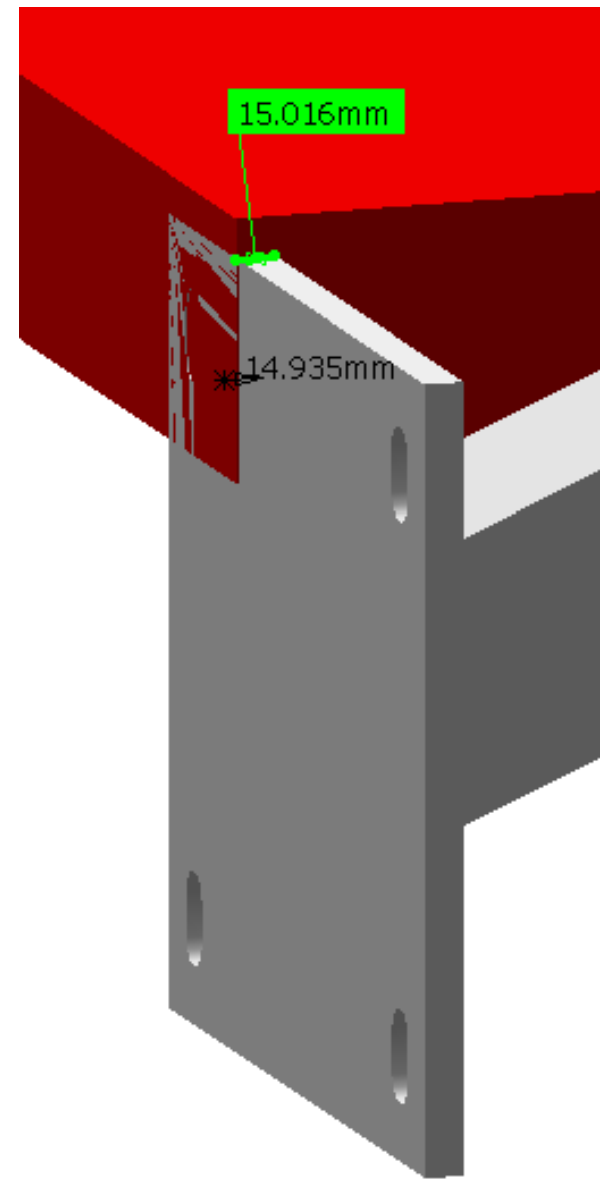
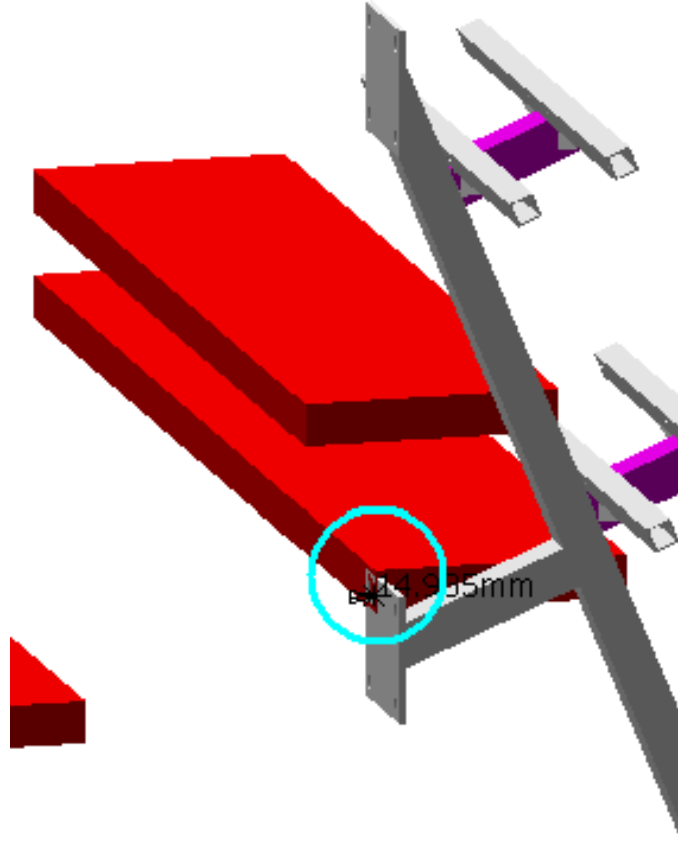
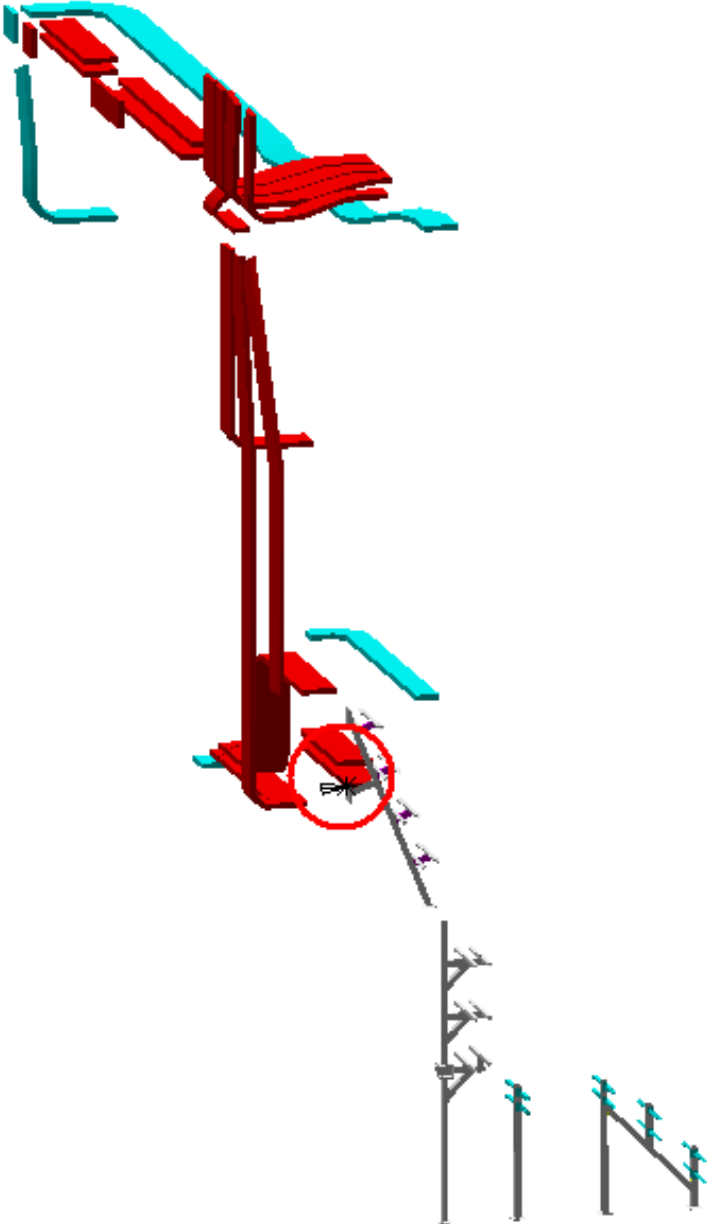


Clash value: ~ 17.4 mm

SIDE C

Sector 15

NSR_0020 - CABLE TRAYS SUPPORT - UX - US SIDE - SECTOR 4	NSR_0016 - SCT & PIXEL CABLE TRAYS - TYPE 4 - ON UX/US WALL	Clash	14.9 mm	Not inspected
---	--	-------	---------	---------------



Clash value: ~ 14.9 mm
 SIDE C
 Sector 16

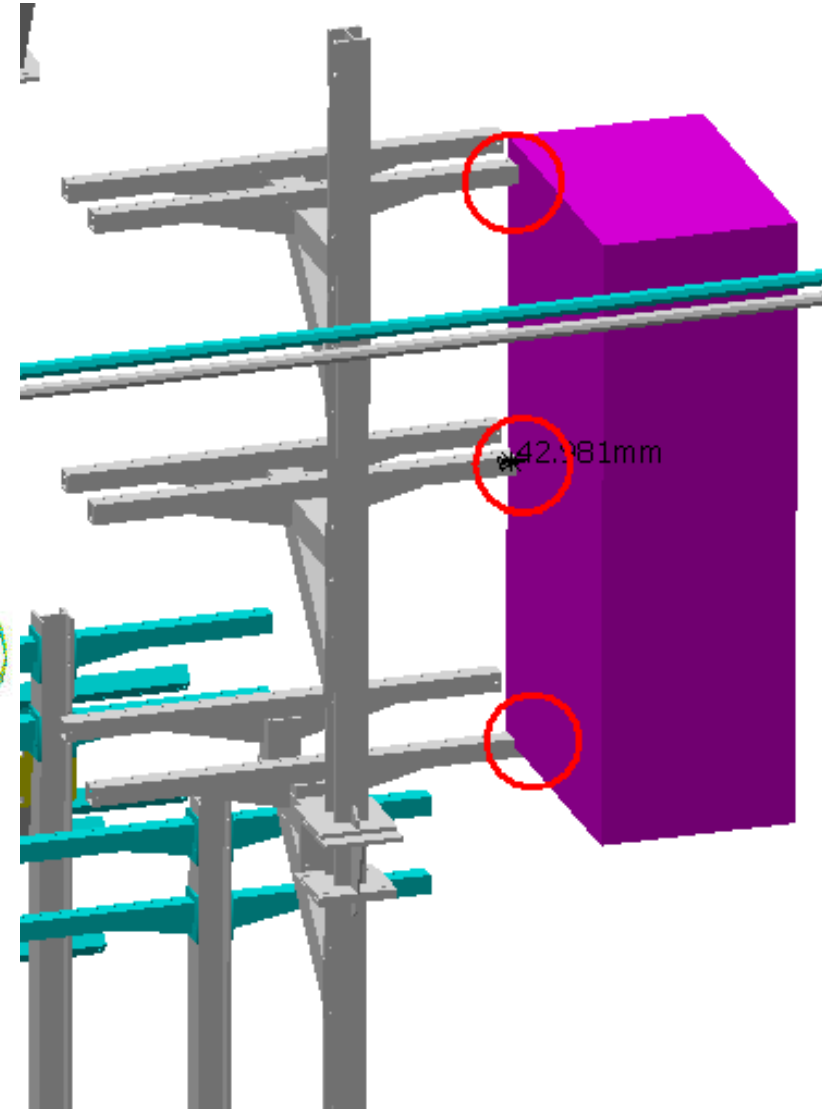
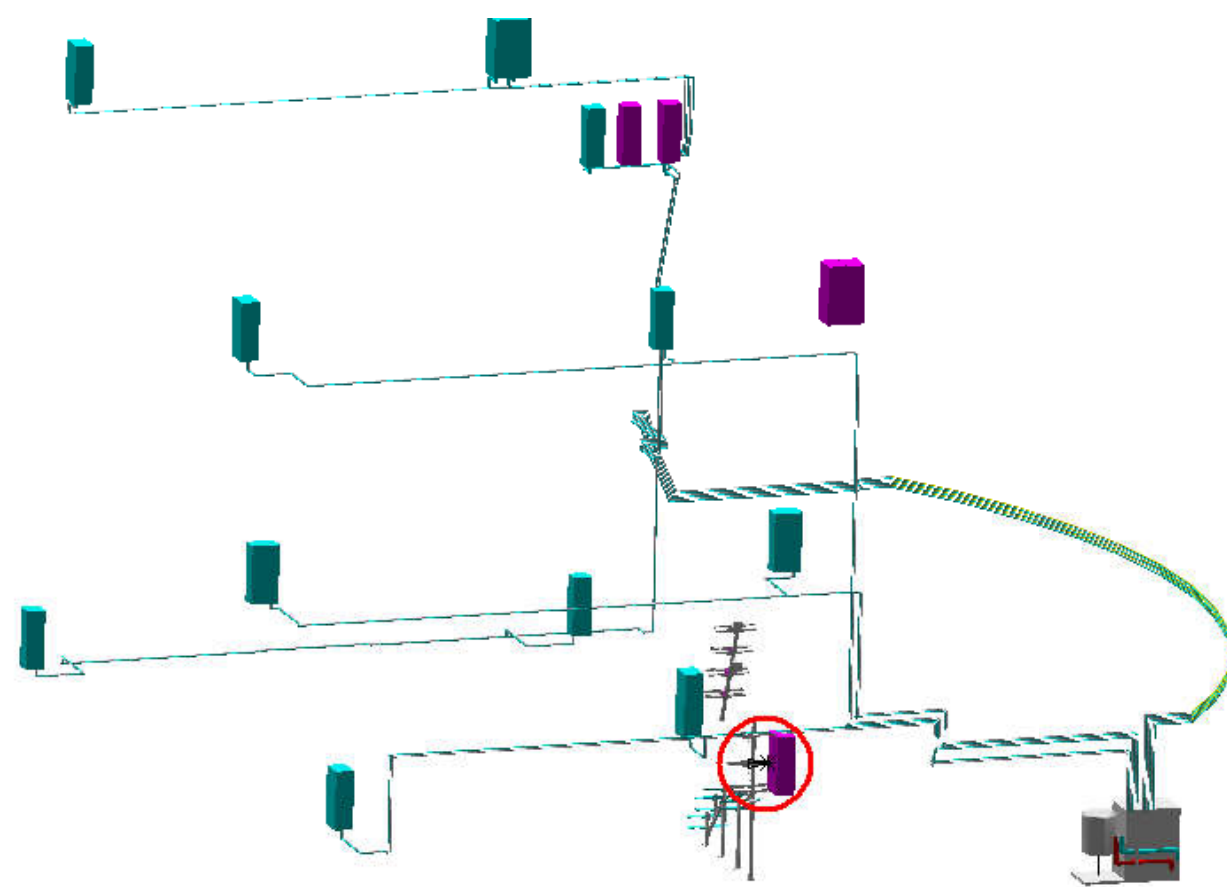
NSR_0020 - CABLE TRAYS SUPPORT -
UX - US SIDE - SECTOR 4

NSO_0010 - UX 15 - CAVERN - ID CABLE
COOLING STATION AND PIPES

Clash

43 mm

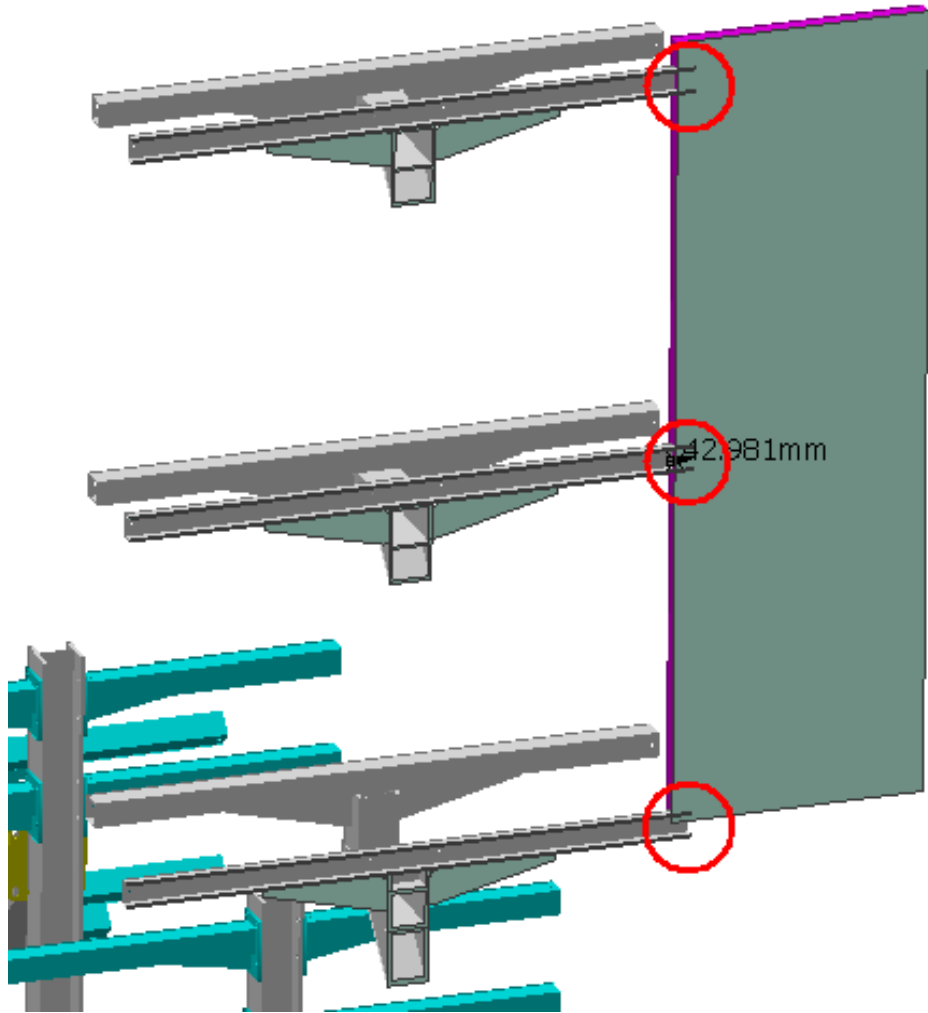
Not inspected



Clash value: ~ 43 mm

SIDE C

Sector 15



Clash View:

